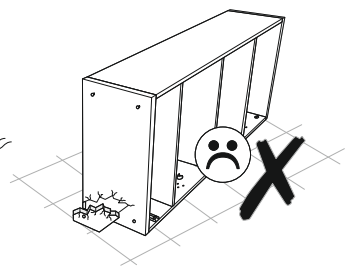
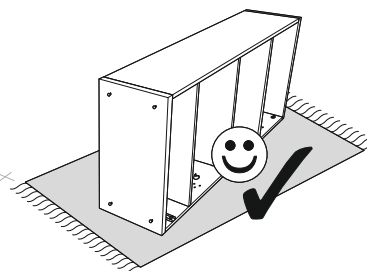
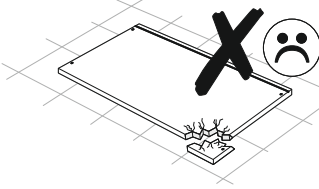
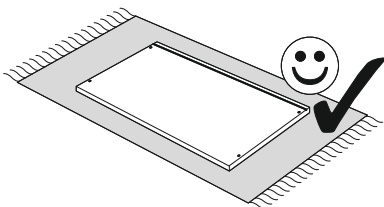
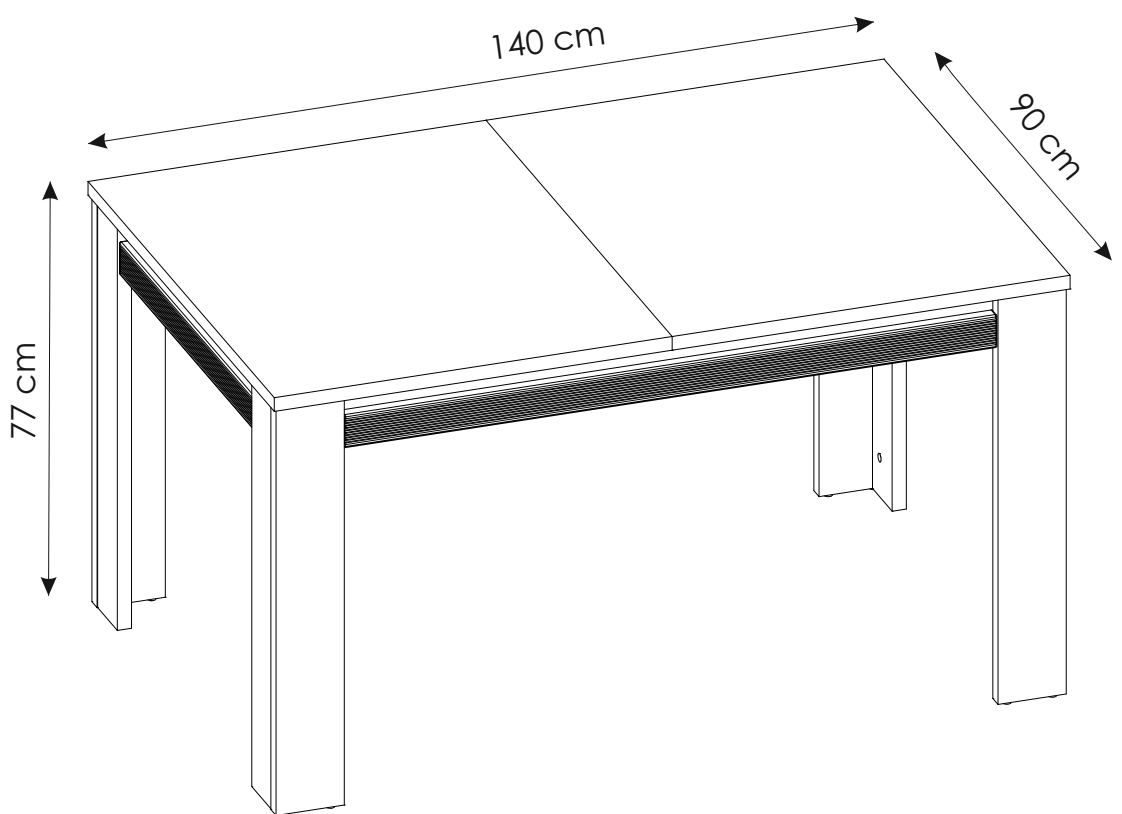
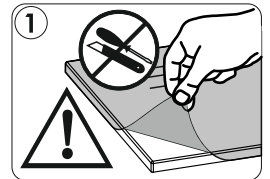
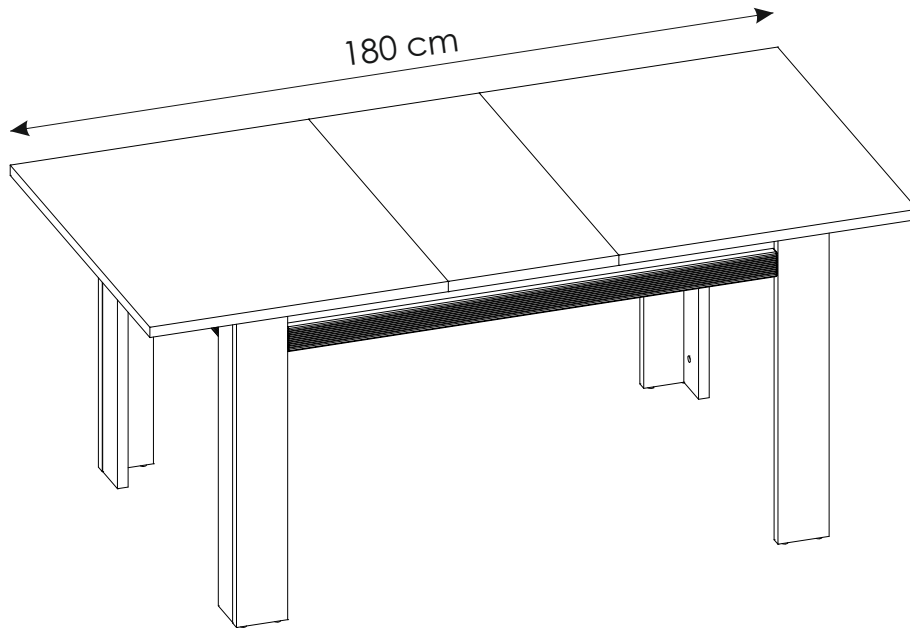
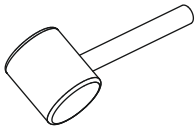
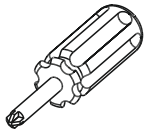
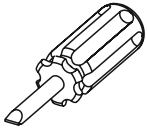
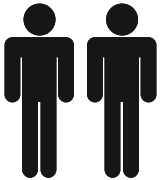
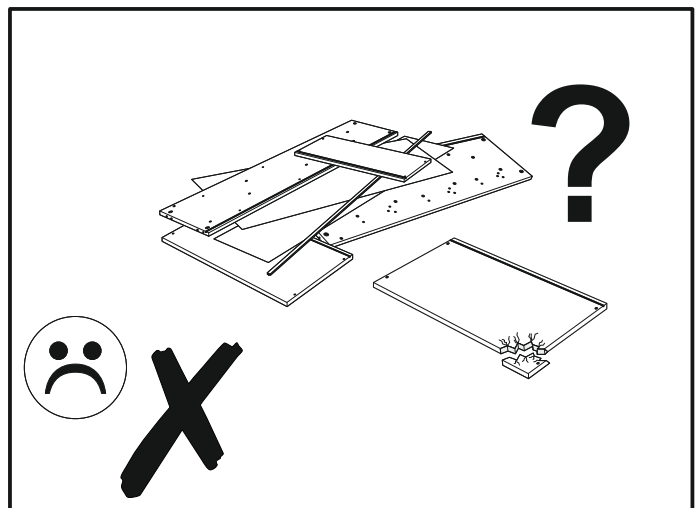
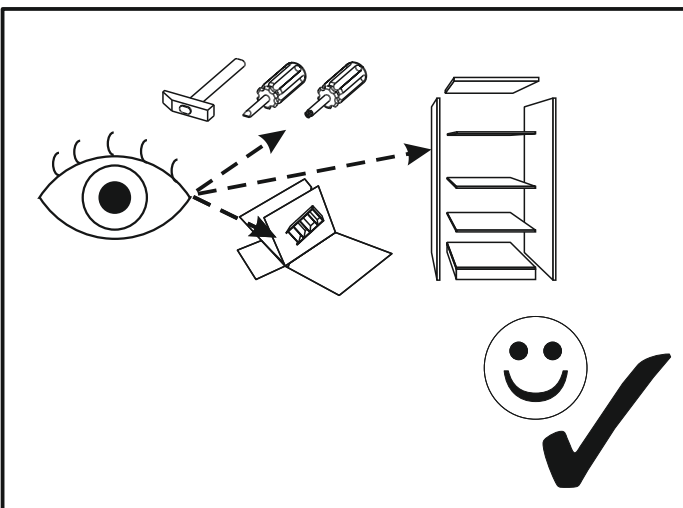
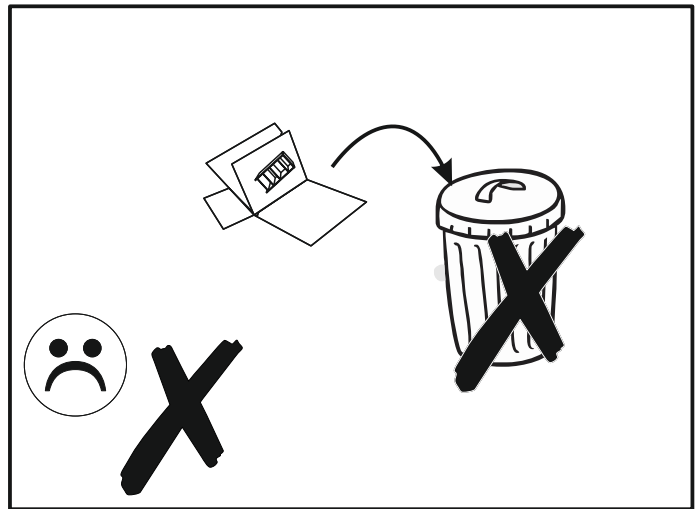


NVIT02

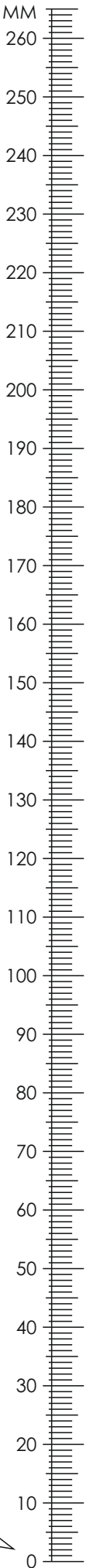




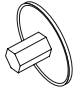

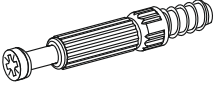
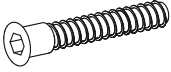


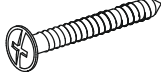
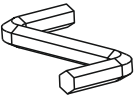
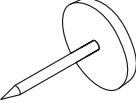

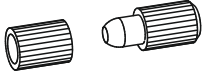
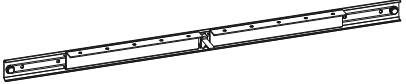
60 MIN

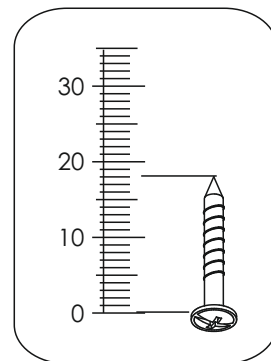




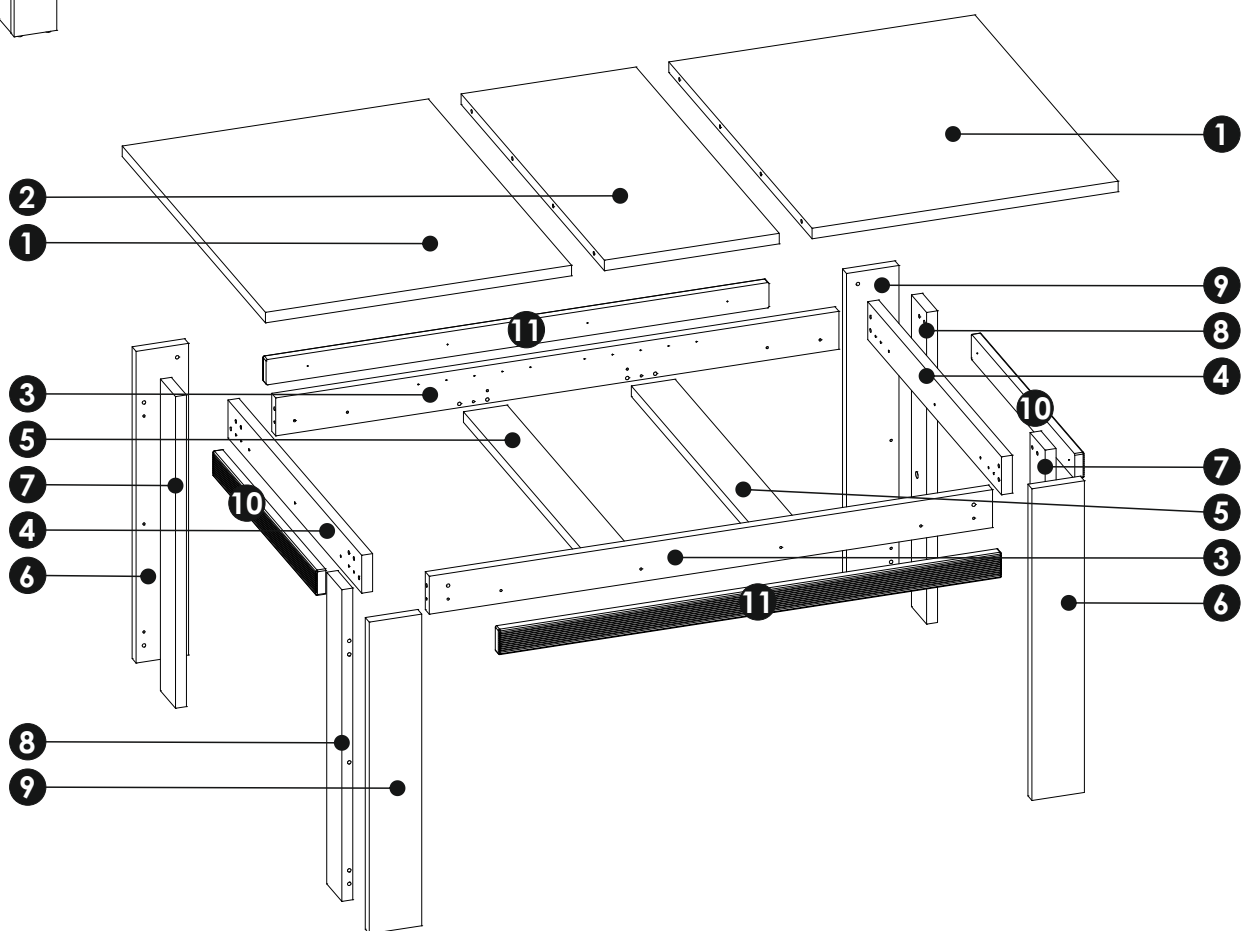
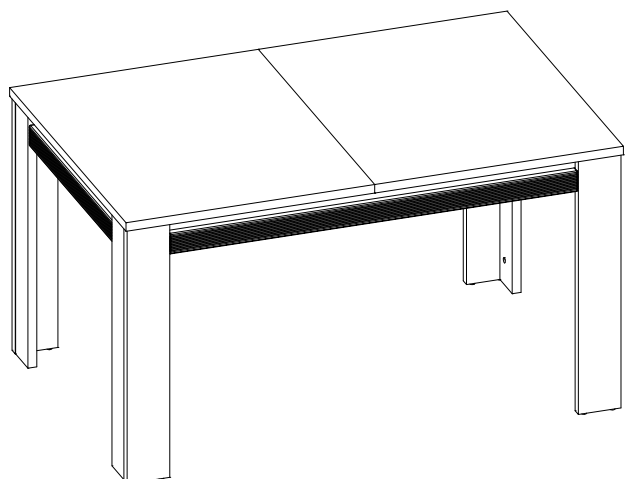
NVIT02



A0 8 x 24 mm x12 	A1 8 x 35 mm x20 	E0 x16 
E1 15 x 12 mm x16 	F1 6 x 34 mm x16 	G2 7 x 60 mm x4 
I2 4 x 16 mm x20 	I8 4 x 20 mm x20 	I14 4 x 40 mm x26 
M x1 	O2 x12 	O2A ø20 x8 
R8 x8 	T9 L-700 x2 	

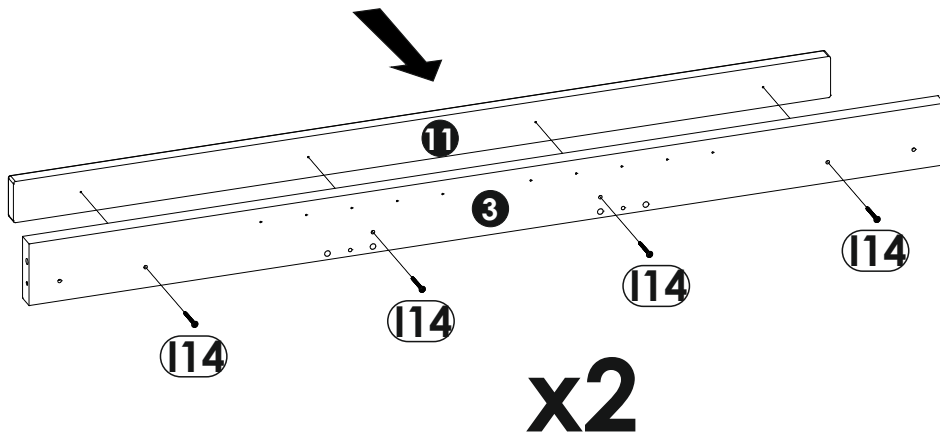
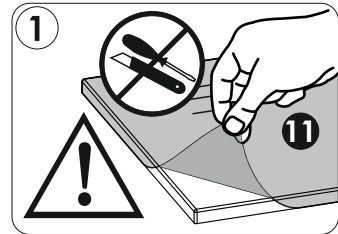
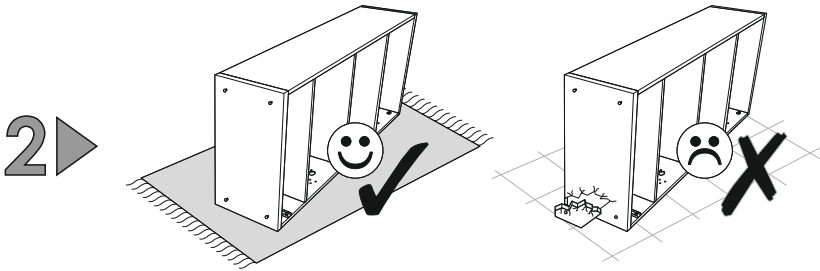
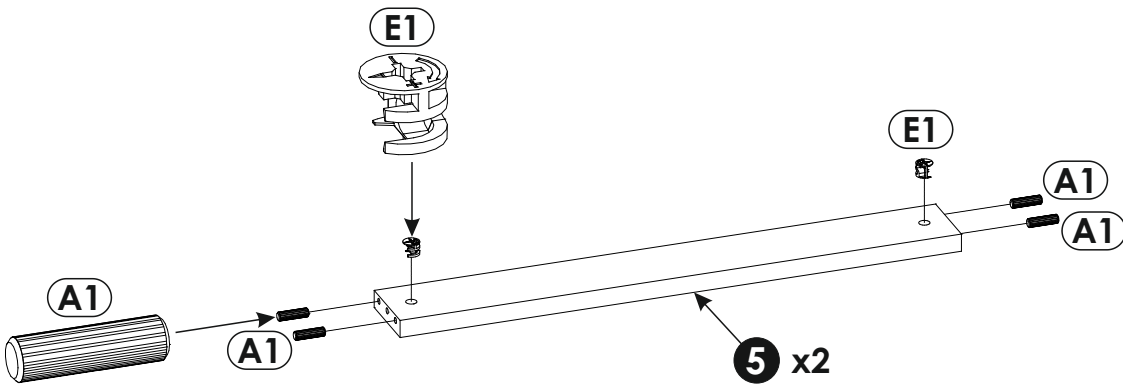
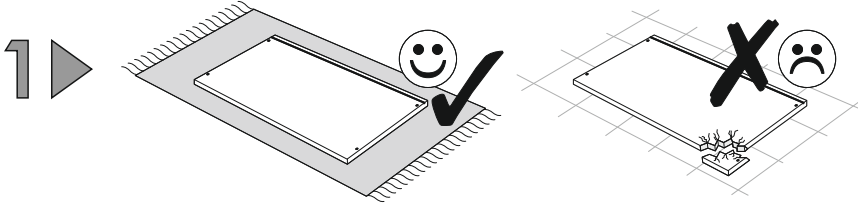
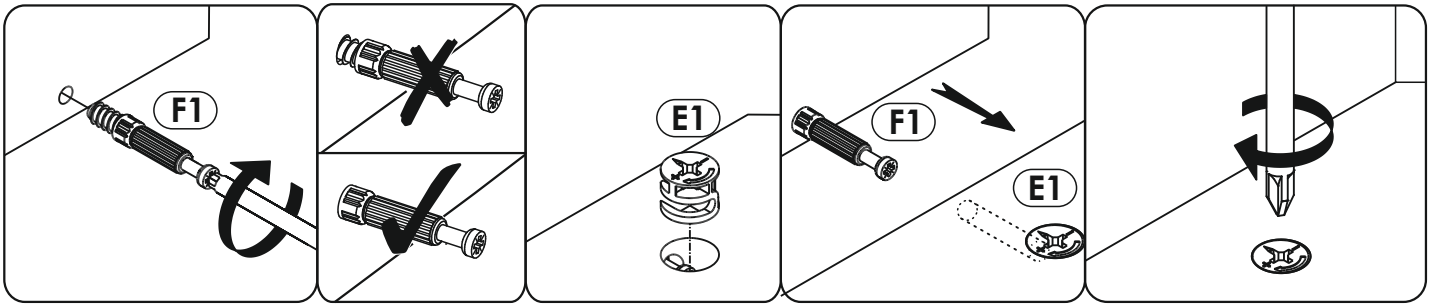


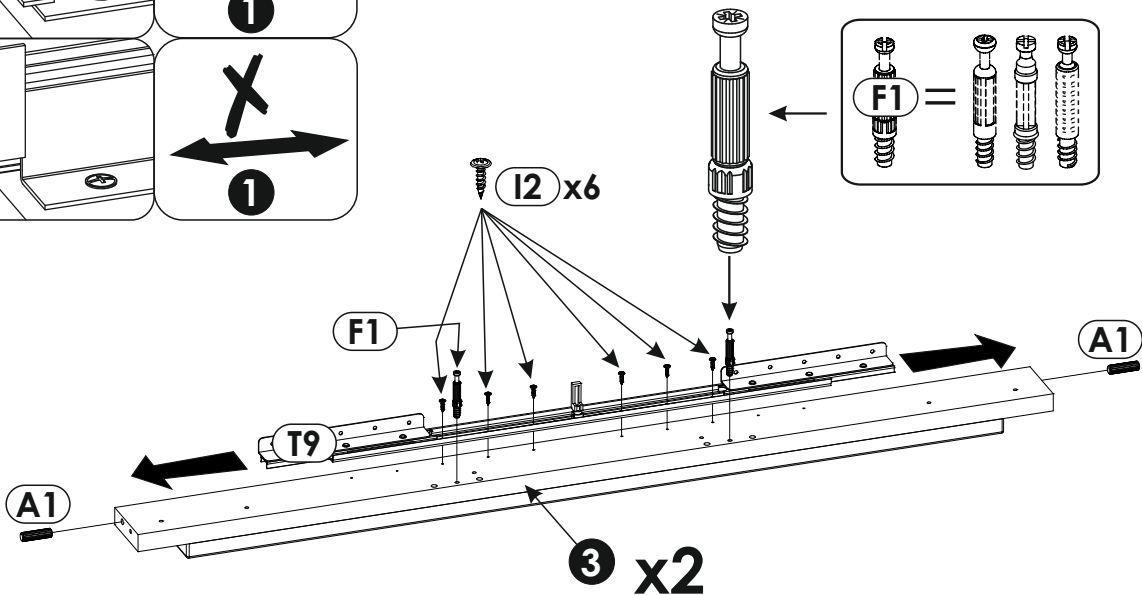
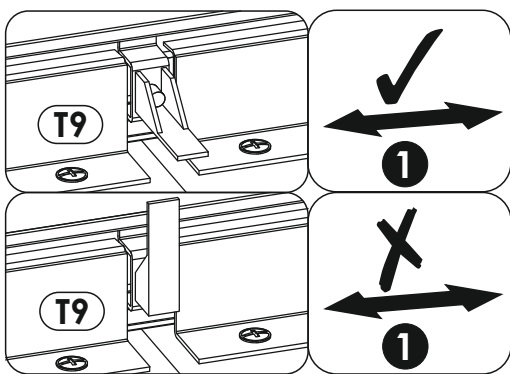
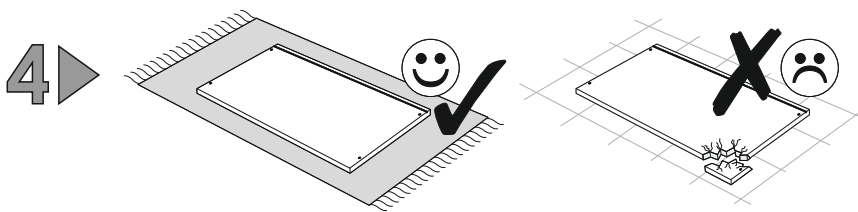
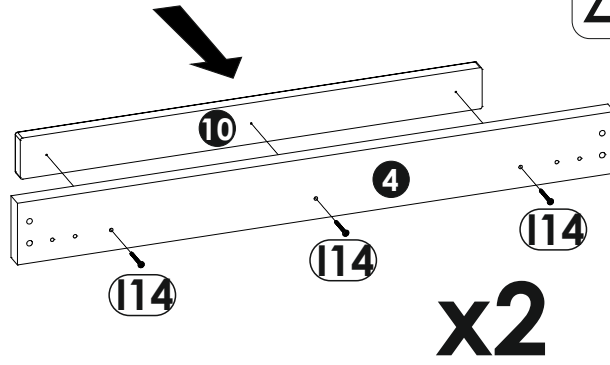
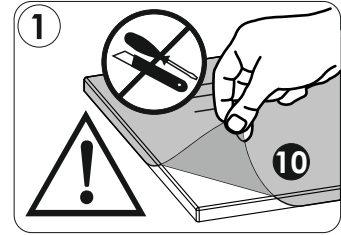
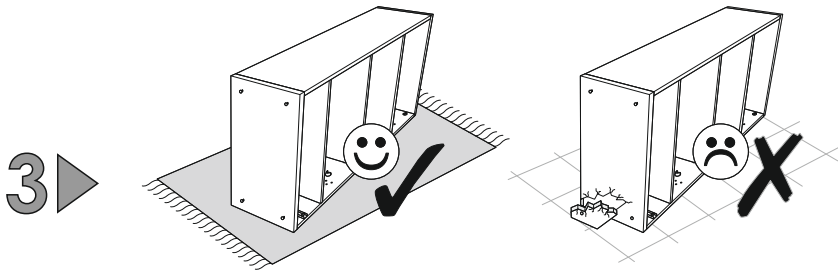
NVIT02

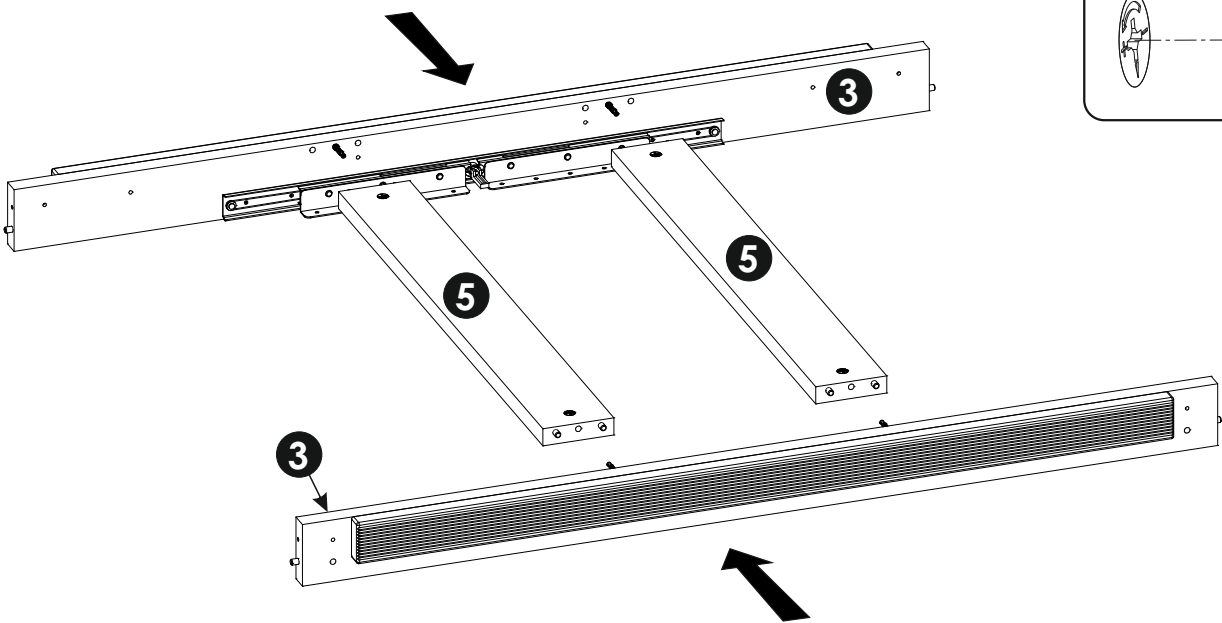
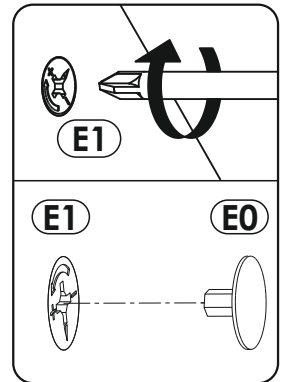
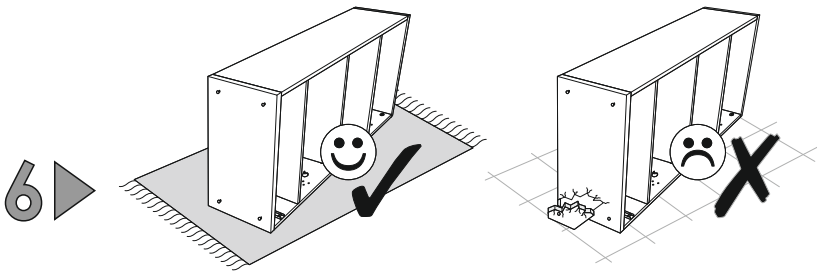
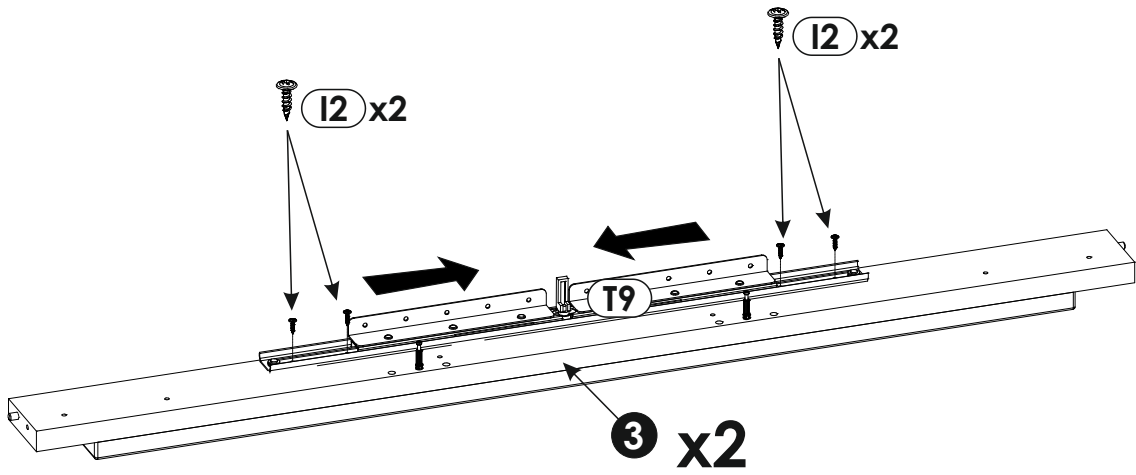
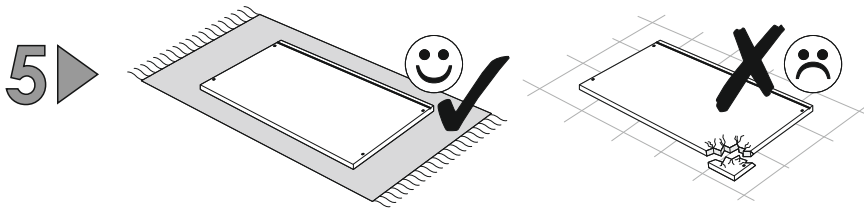


1	900	700	25	x2	2/2
2	900	400	25	x1	2/2
3	1288	90	25	x2	1/2
4	840	90	25	x2	1/2
5	790	100	25	x2	1/2

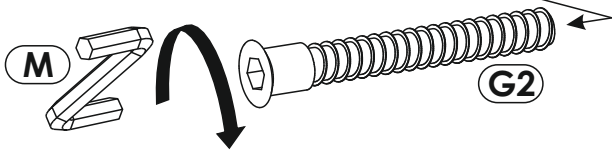
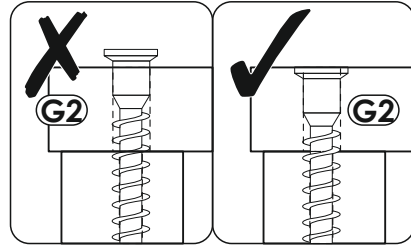
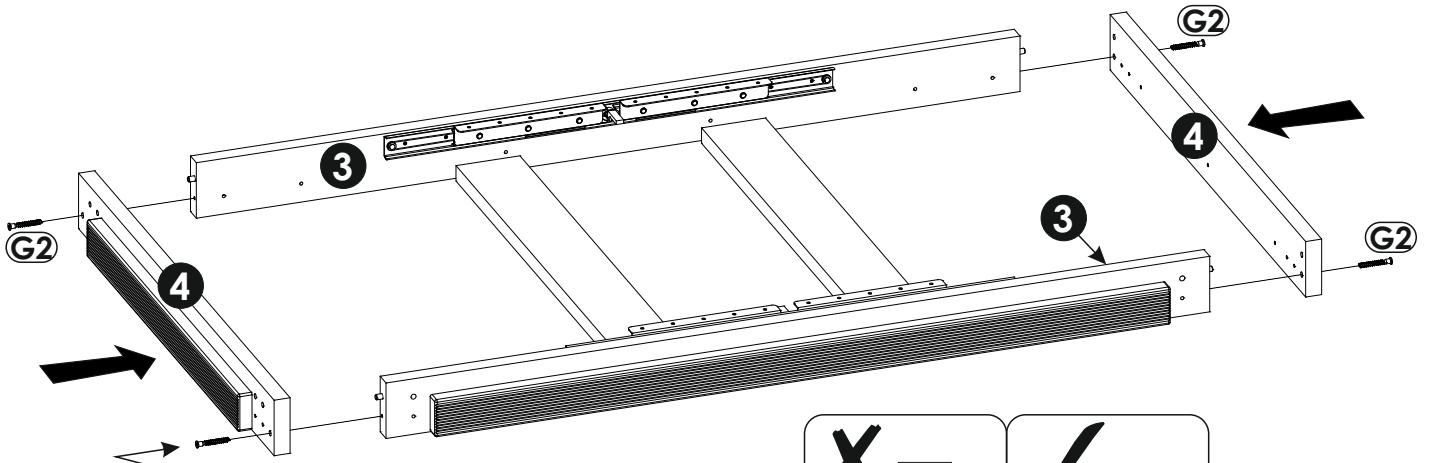
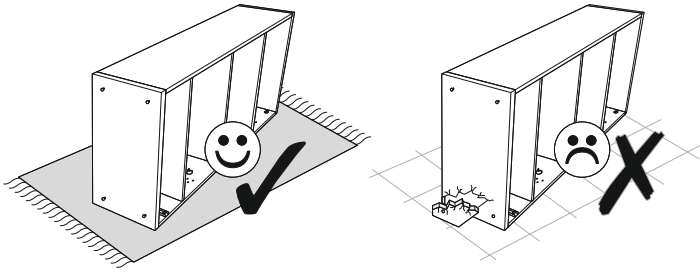
6	739	120	25	x2	1/2
7	739	95	25	x2	1/2
8	739	95	25	x2	1/2
9	739	120	25	x2	1/2
10	650	60	22	x2	2/2
11	1150	60	22	x2	1/2



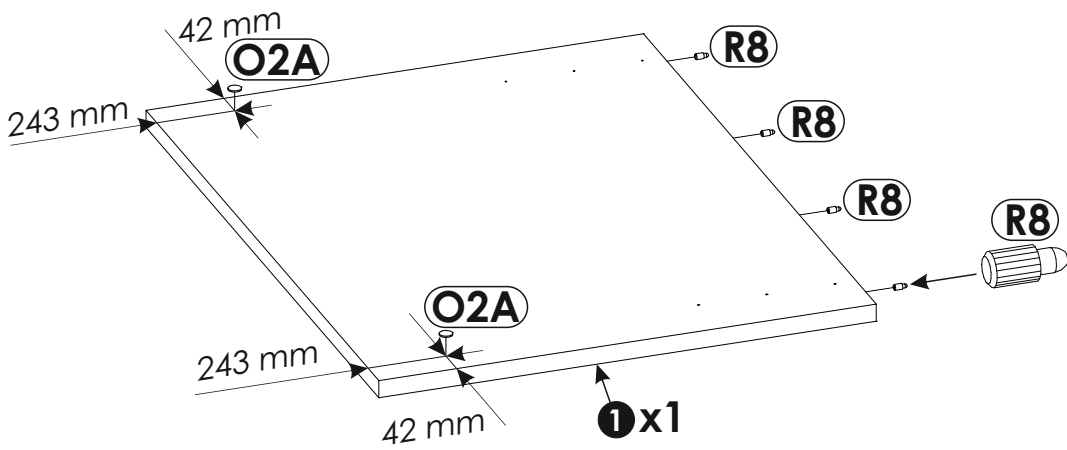
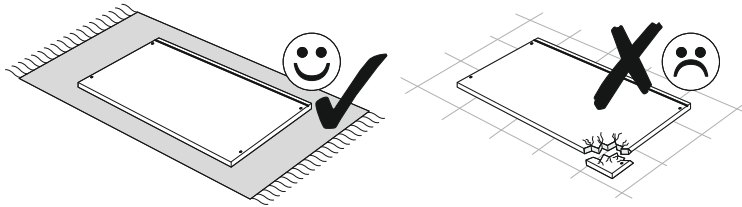




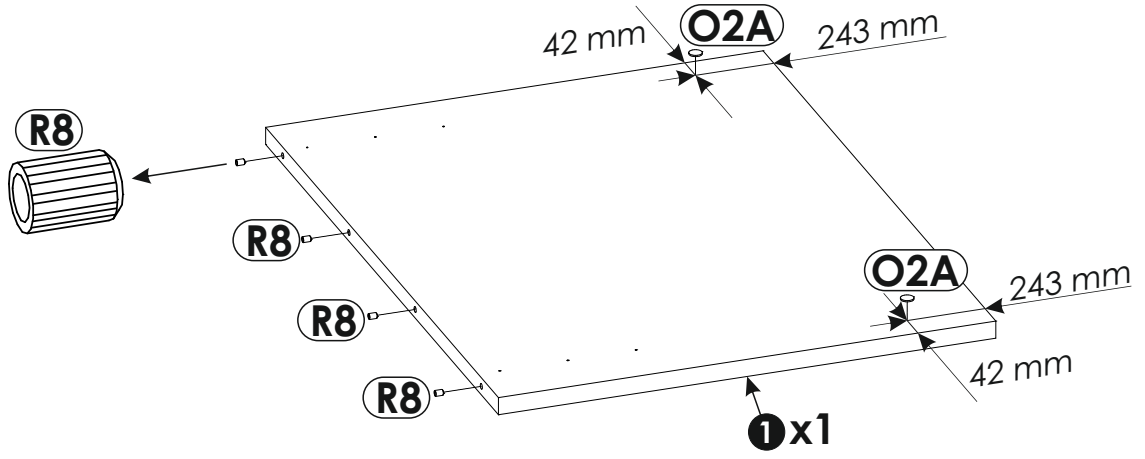
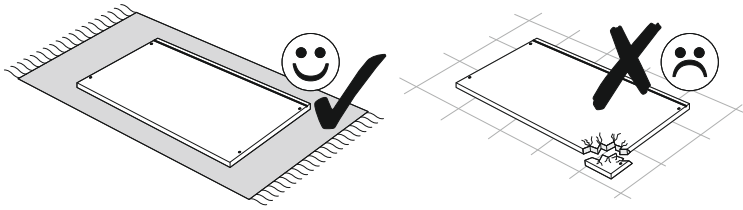
7 ▶



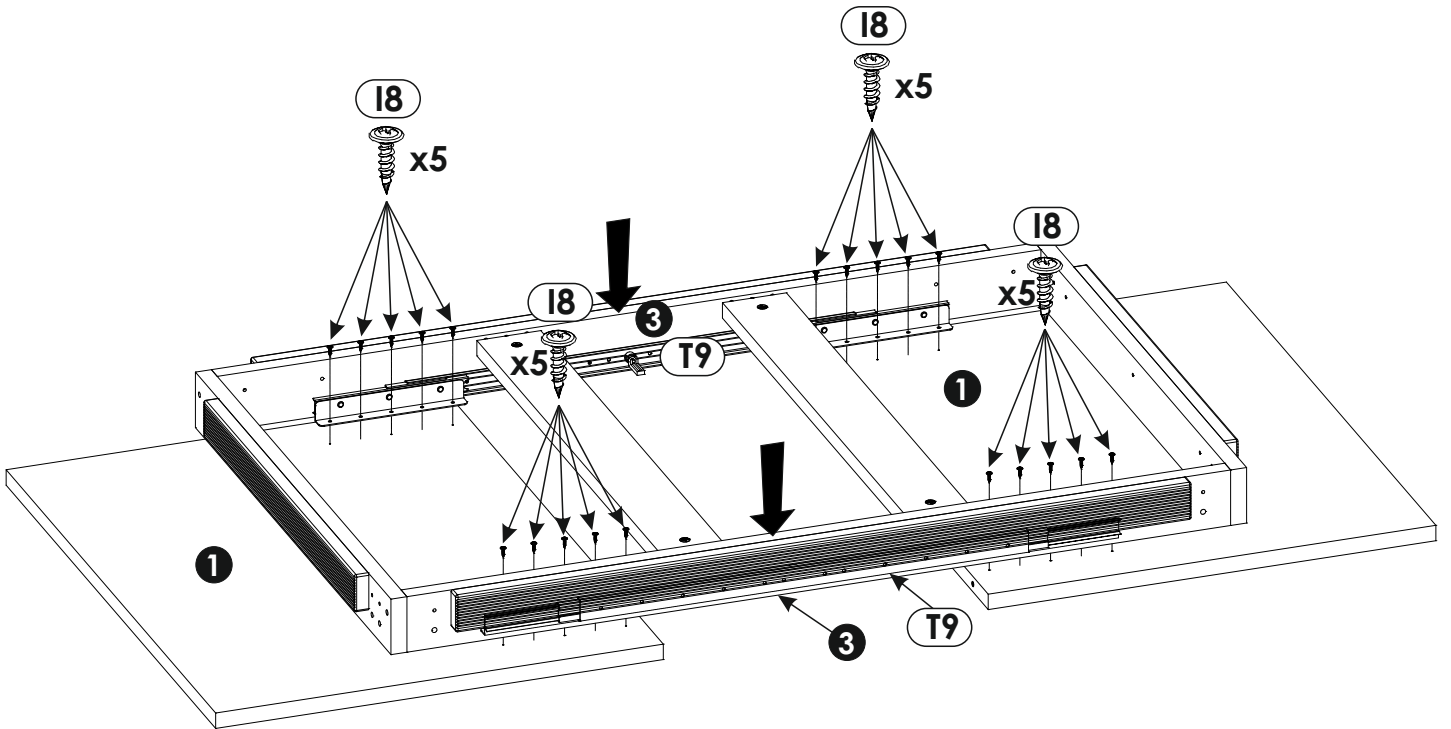
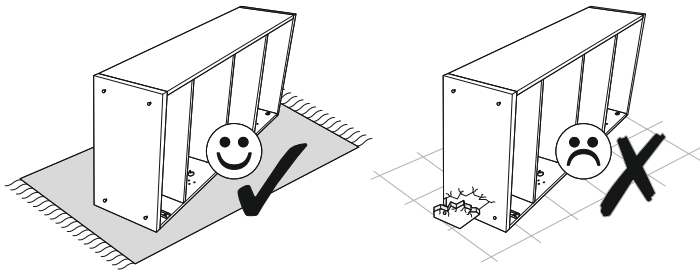
8 ▶



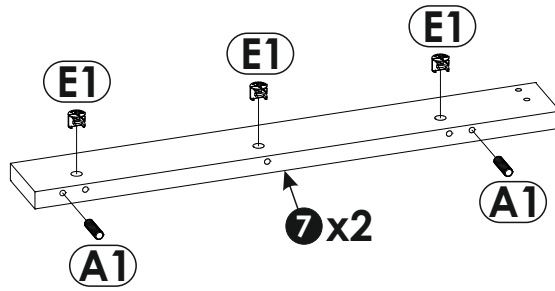
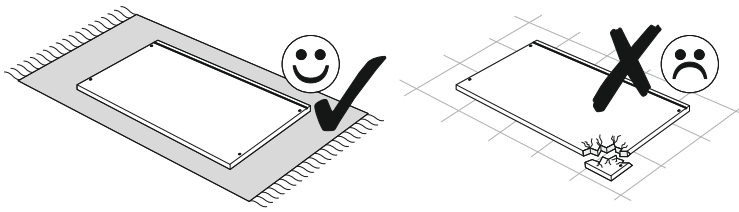
9 ▶



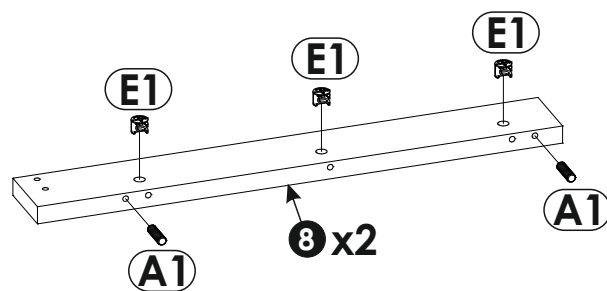
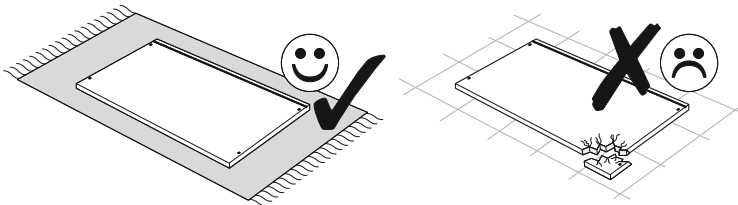
10 ▶



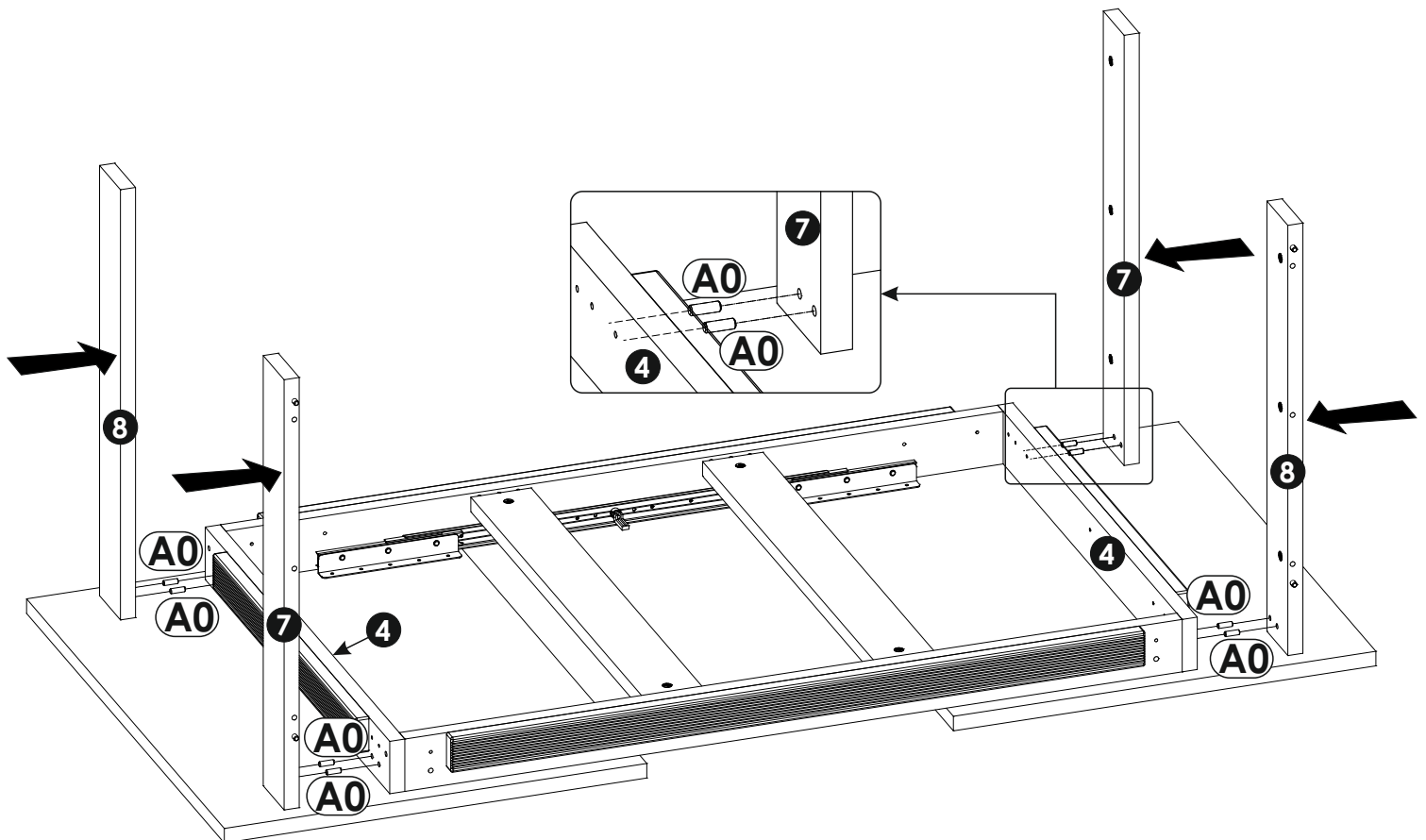
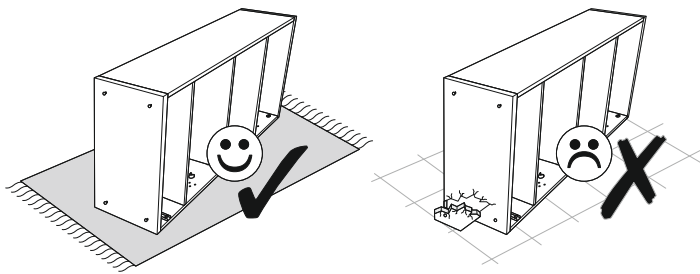
11 ▶



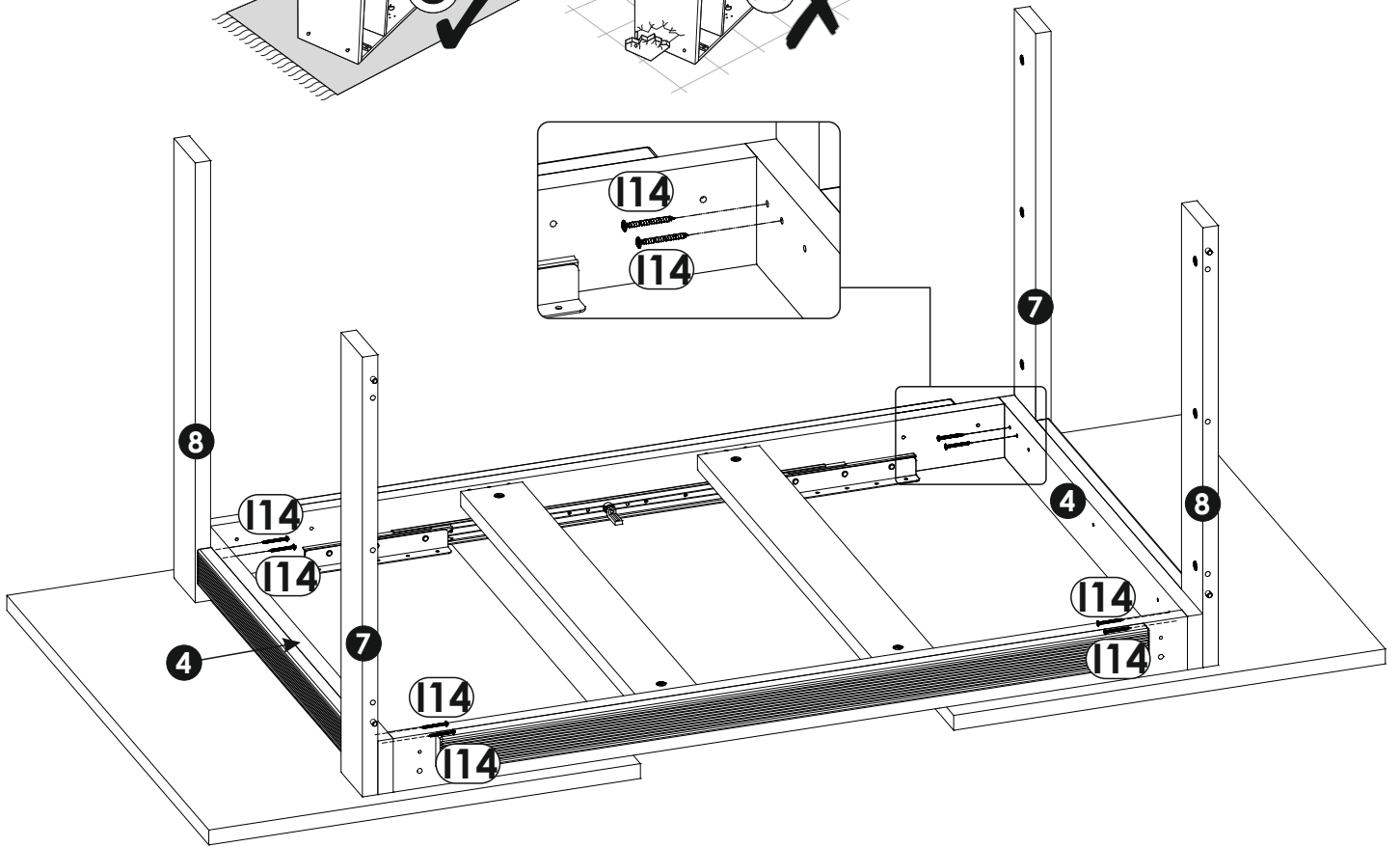
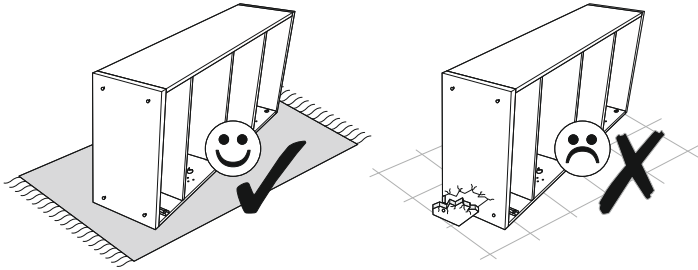
12 ▶



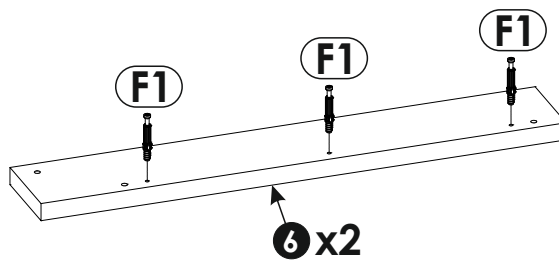
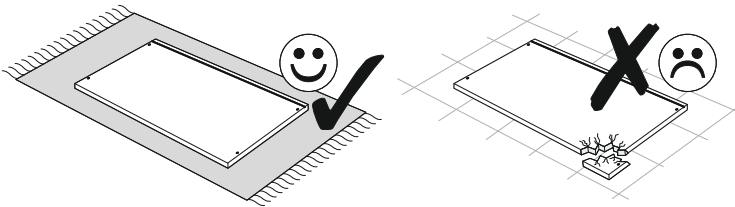
13▶

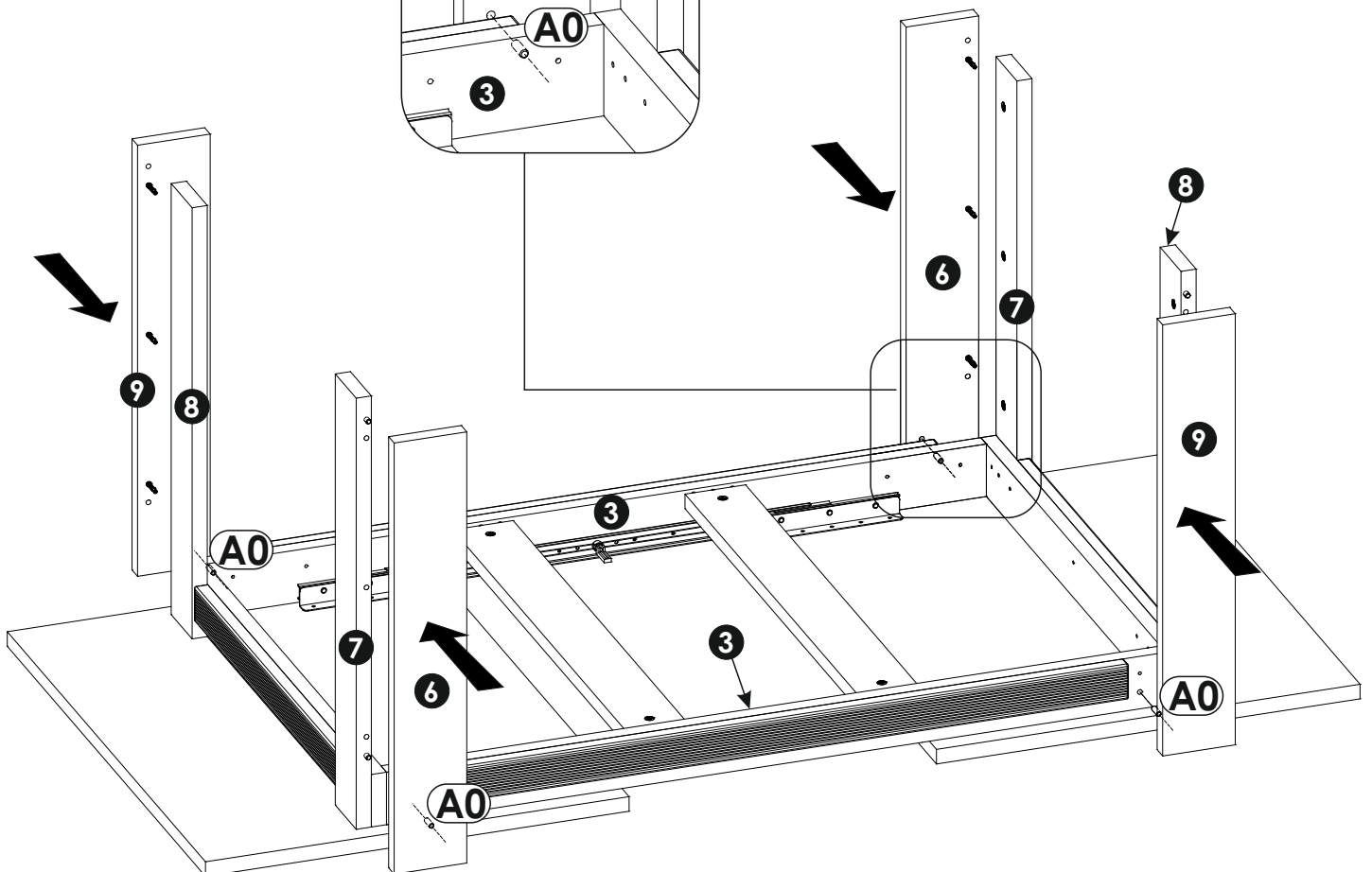
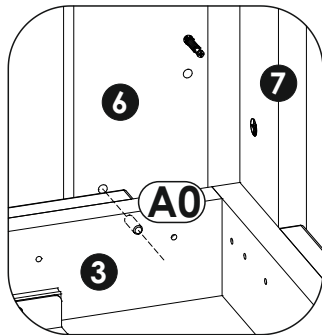
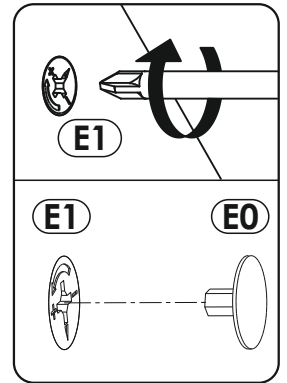
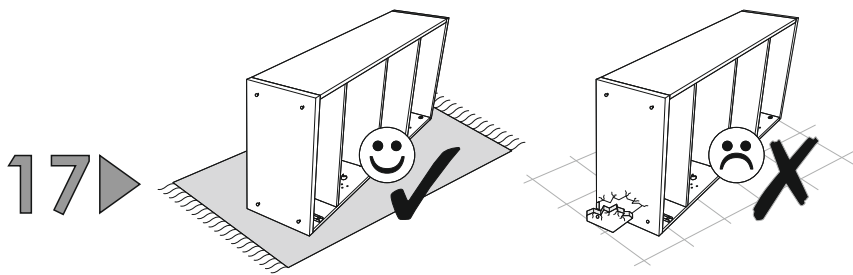
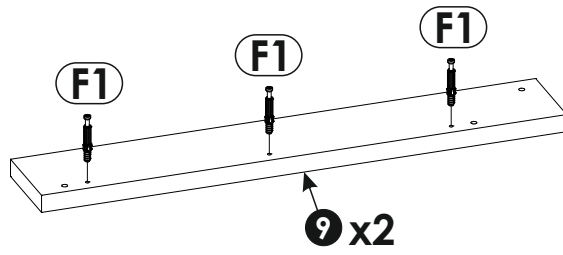
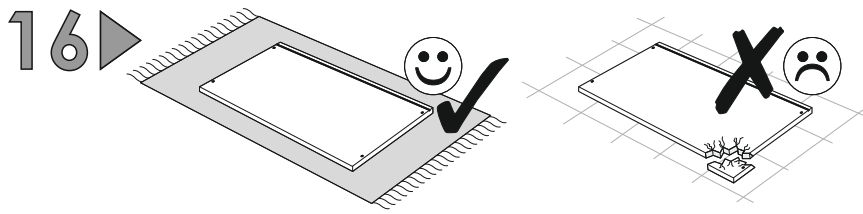


14▶

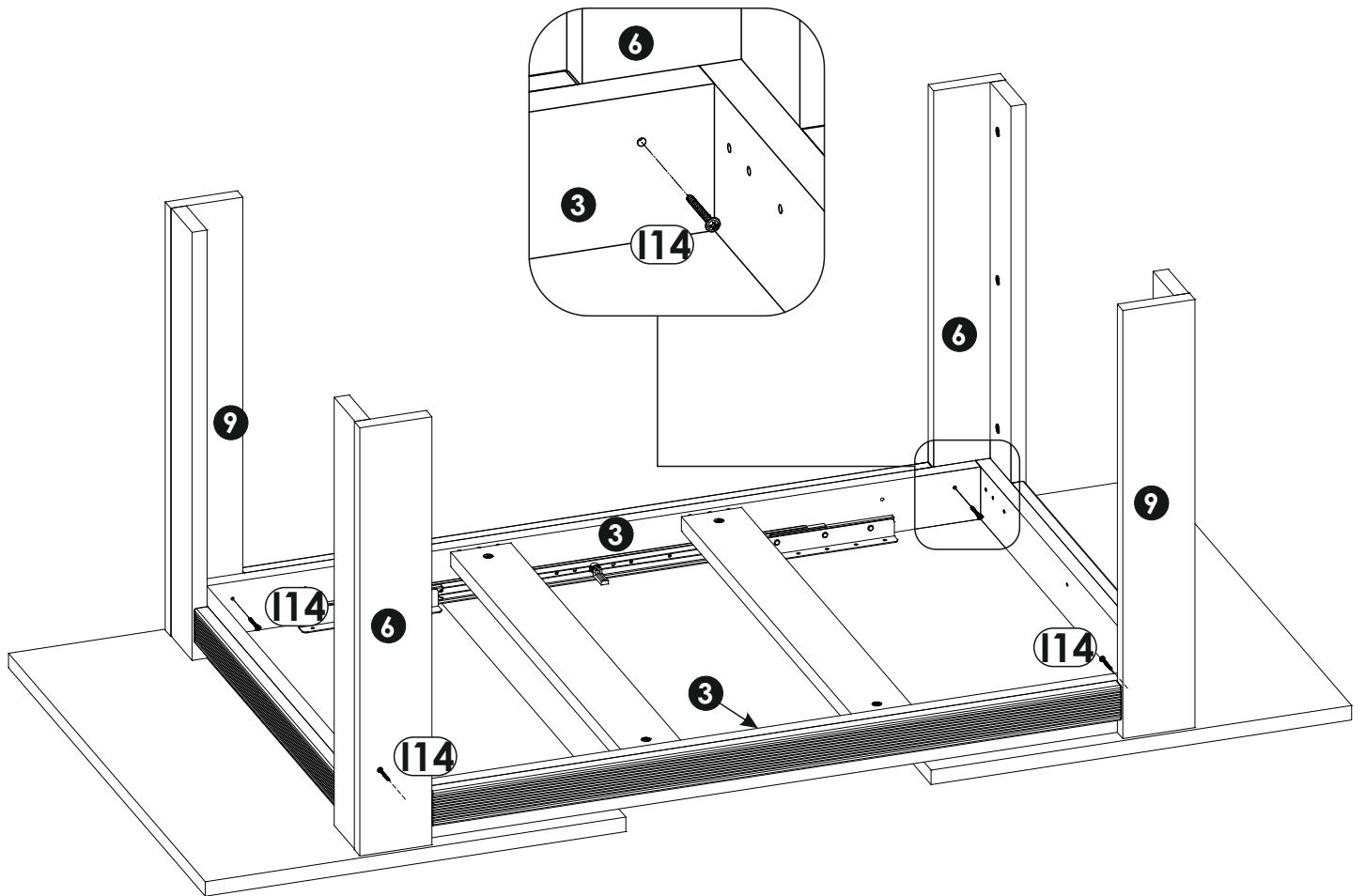
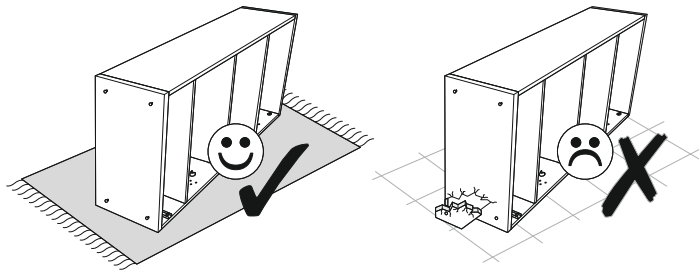


15▶

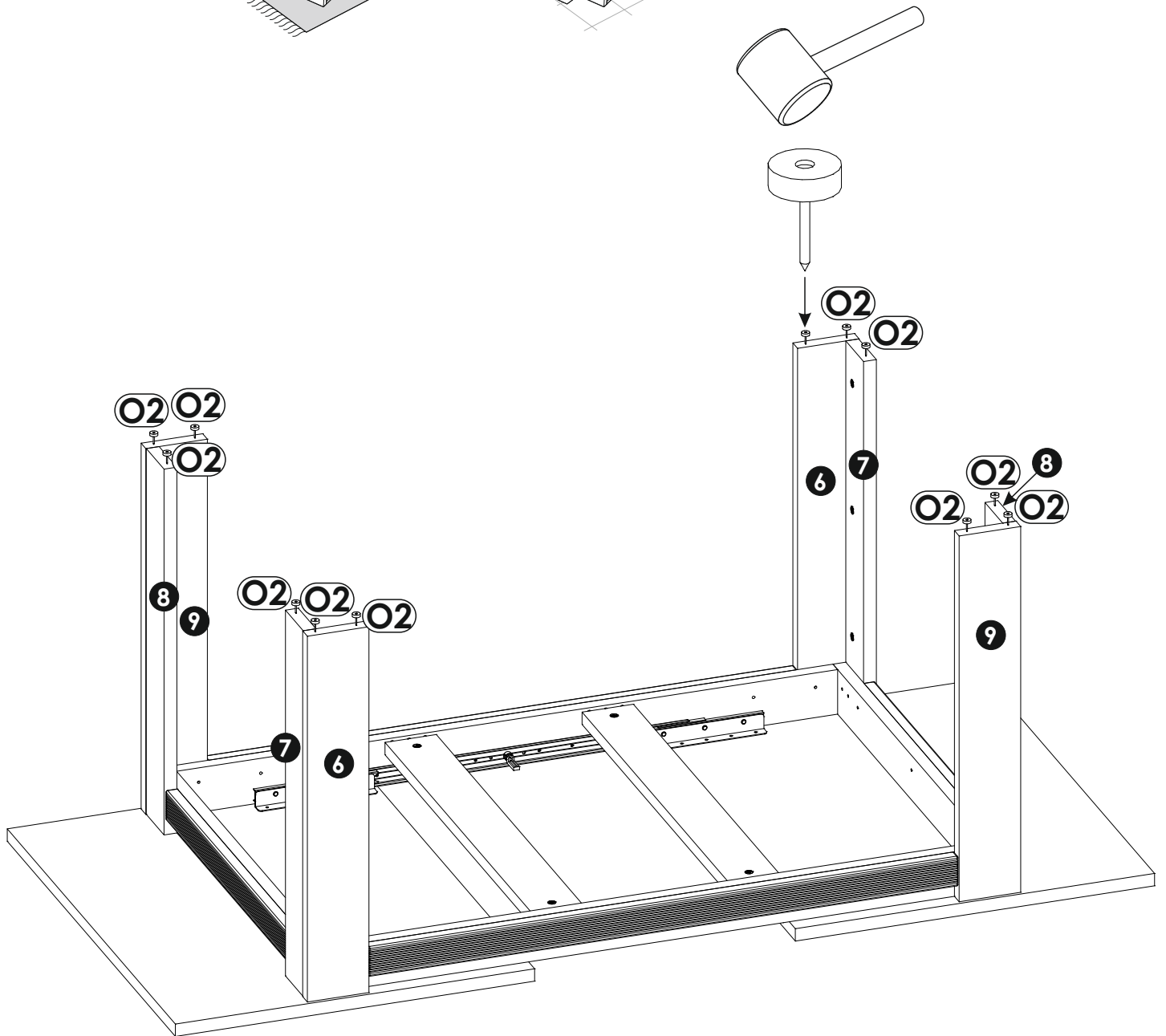
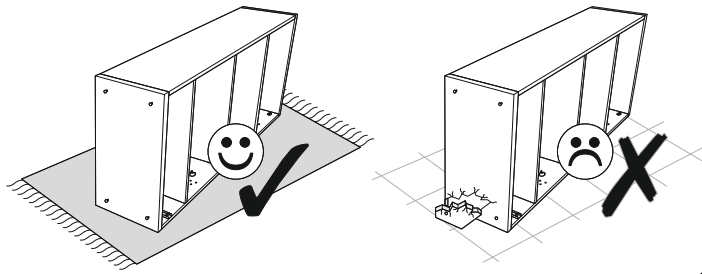




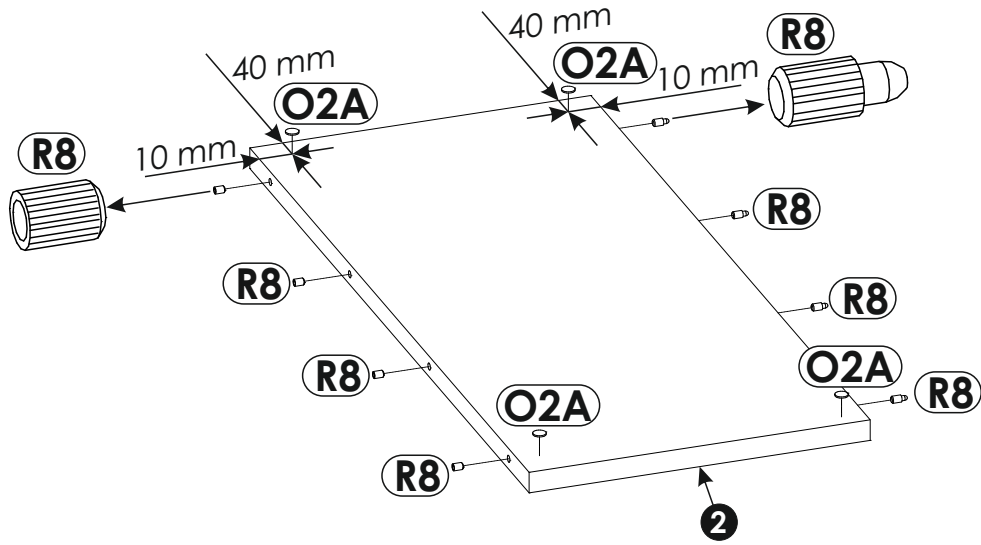
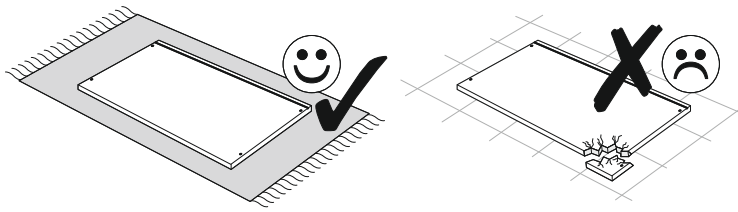
18▶



19 ▶



20 ▶



21 ▶

