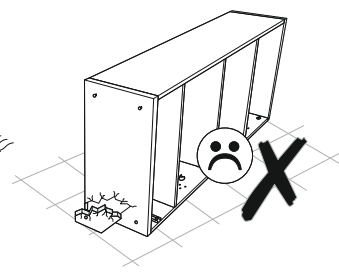
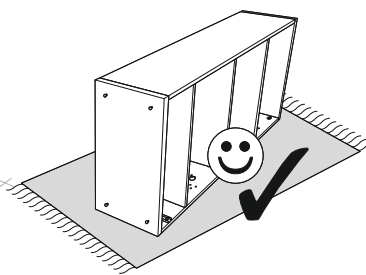
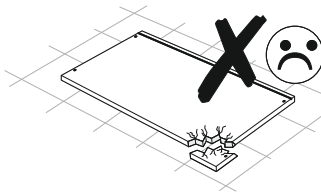
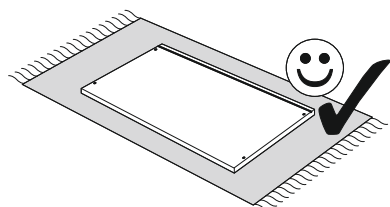
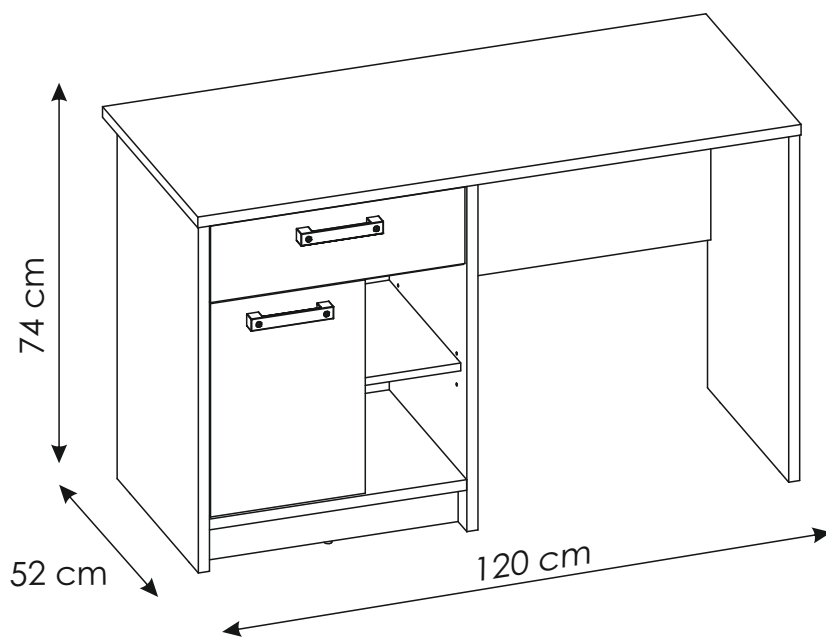
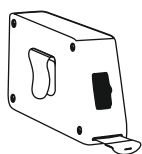
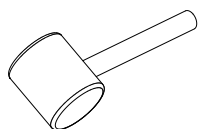
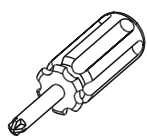
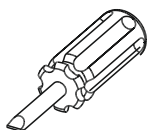
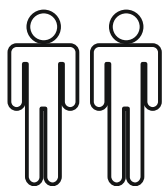
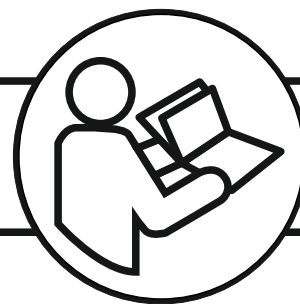
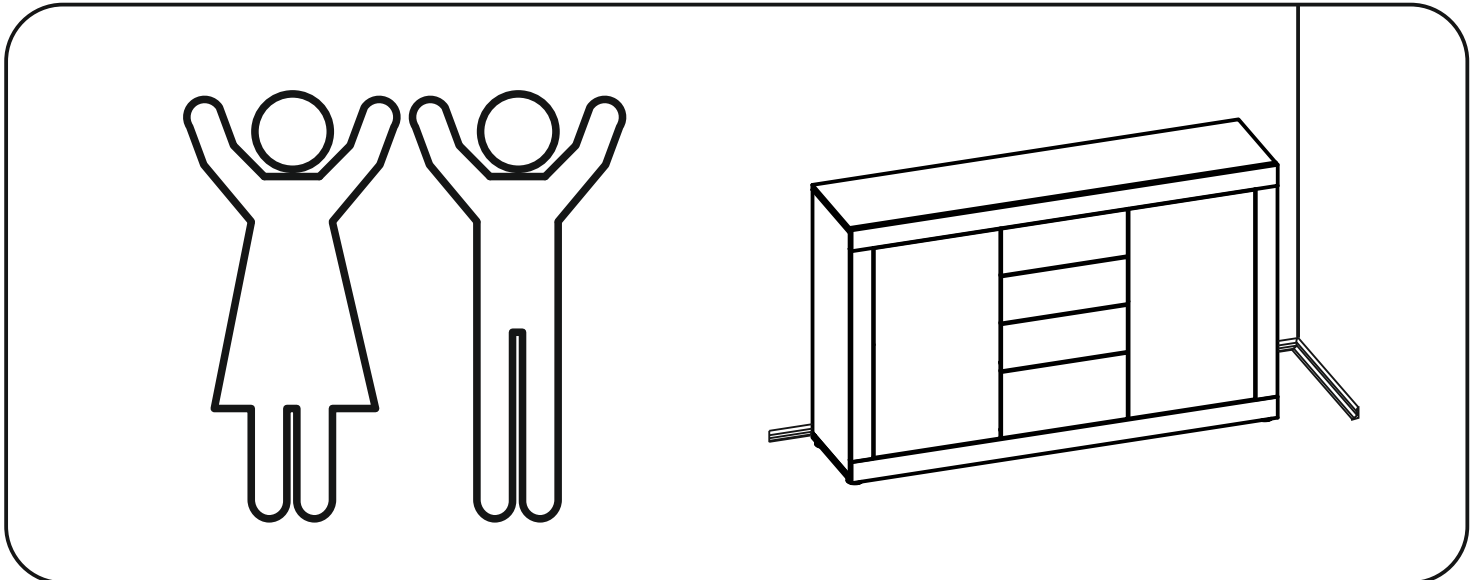
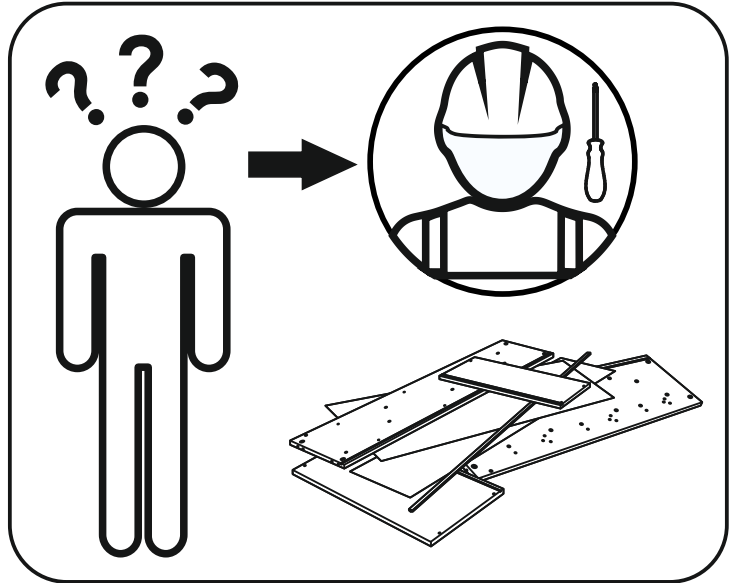
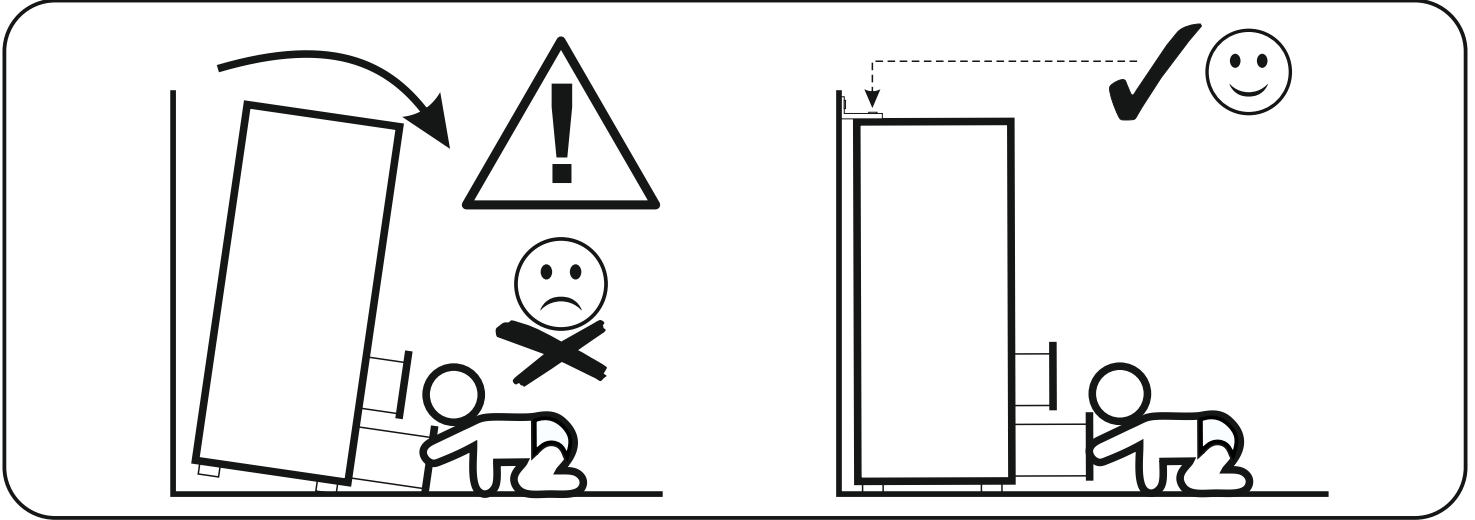


NUBB01





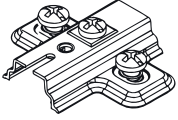


version A

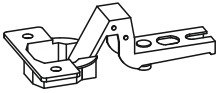


version B

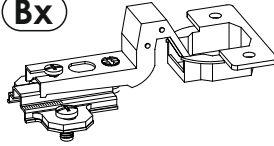
Bx



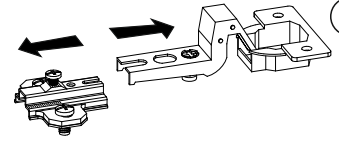
Bx



Bx + Bx



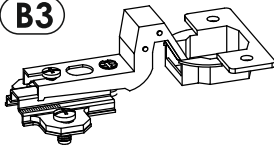

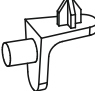


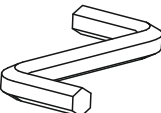
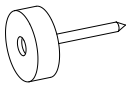
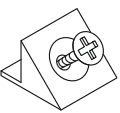
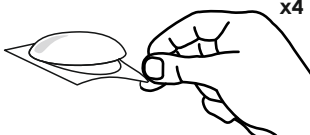
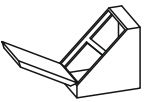
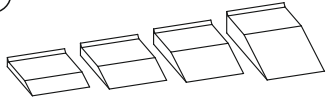
Bx

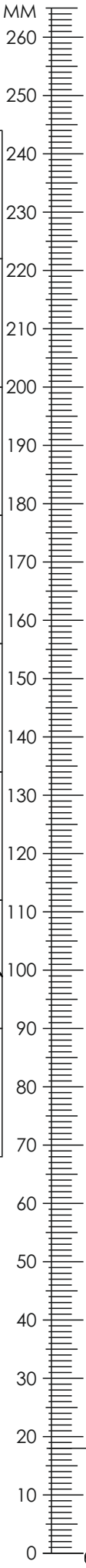
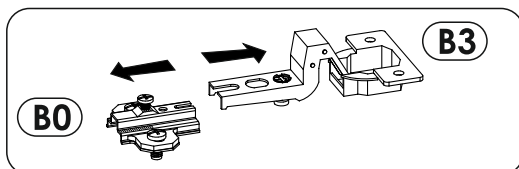


Bx

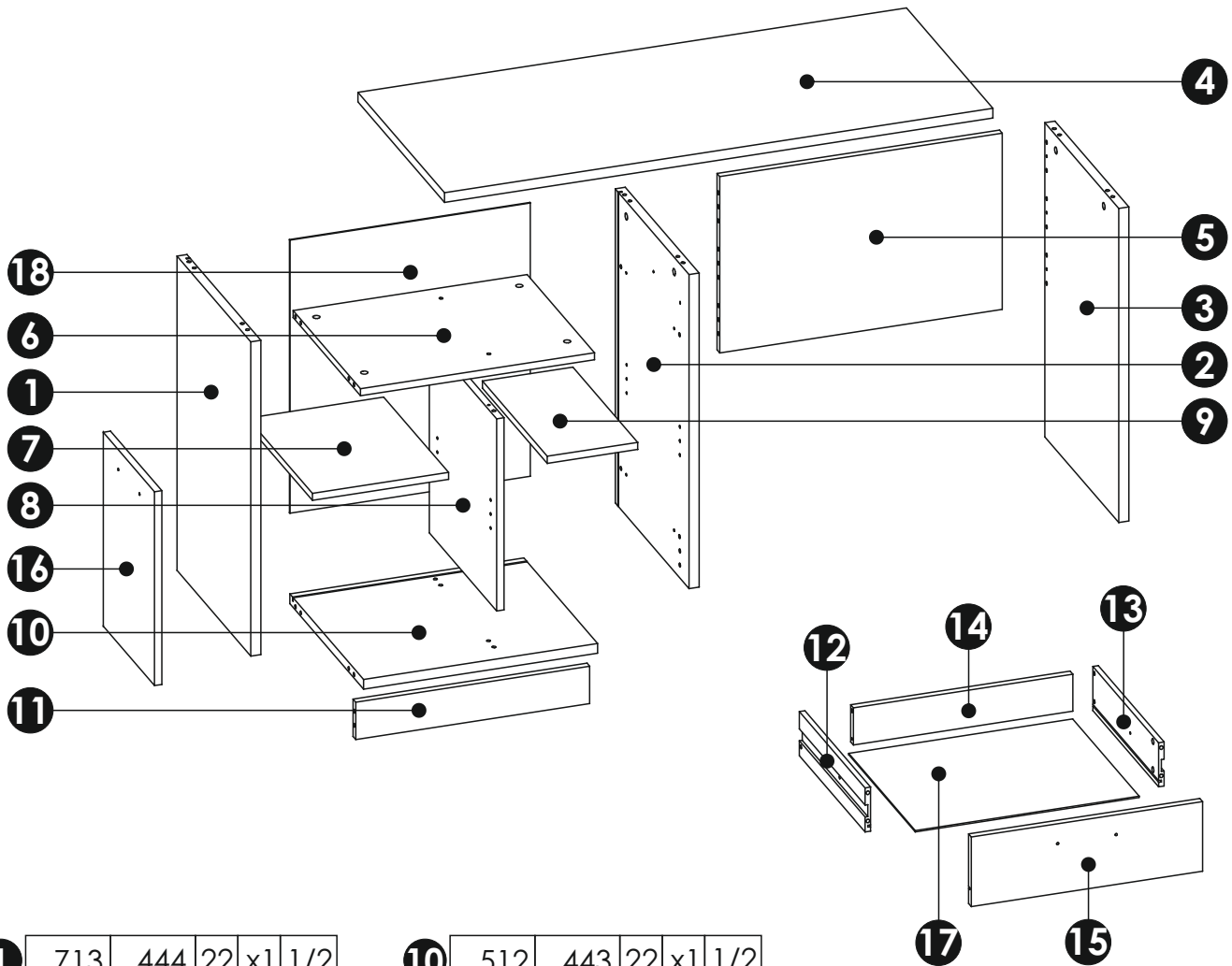
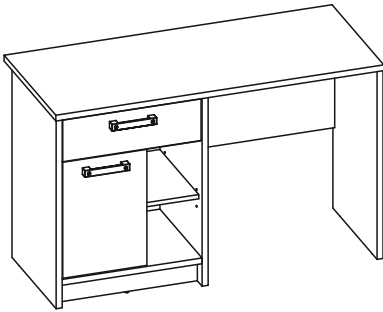
NUBB01

MM

A1	8 x 35 mm	x36	B0 + B3		x2	C1	4 x 13 mm	x4
C2	5 x 13 mm	x4	D2		x4	D6		x4
E0		x8	E1	15 x 12 mm	x20	E3	13 x 10,7 mm	x4
F1	6 x 34 mm	x24	G1	7 x 50 mm	x4	G2	7 x 60 mm	x2
H1		x2	I6	4 x 27 mm	x4	K1	4 x 9 mm	x2
M		x1	N1	3 X 16 mm	x5	N2	3,5 X 16 mm	x4
O2		x7	R4		x7	R8		x4
T3	L-251	x2	W		x2	Z		x1

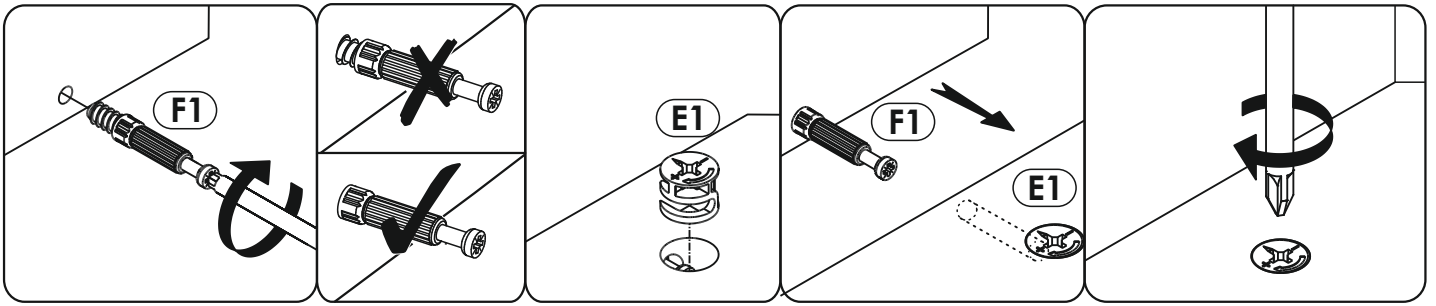


NUBB01

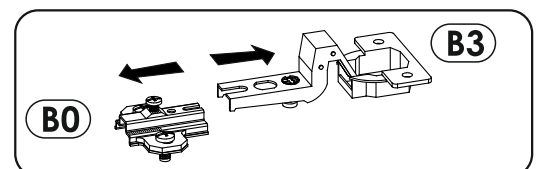
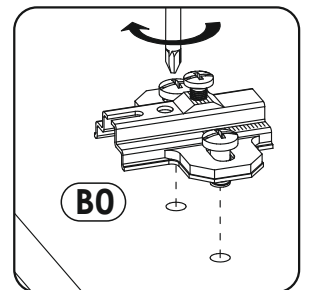
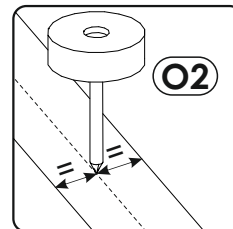
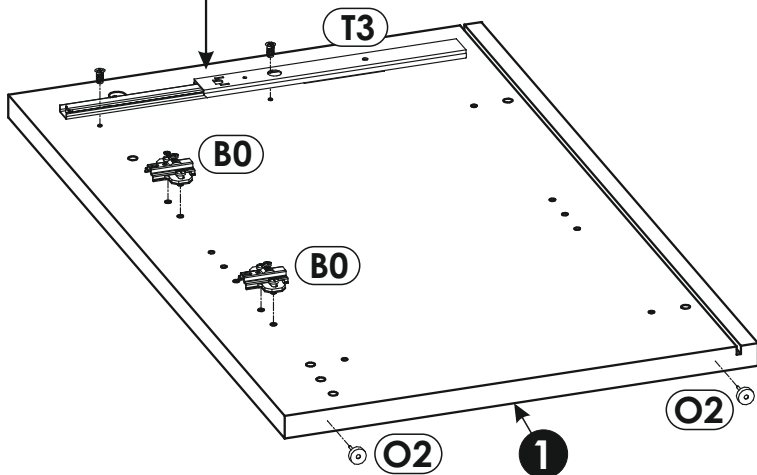
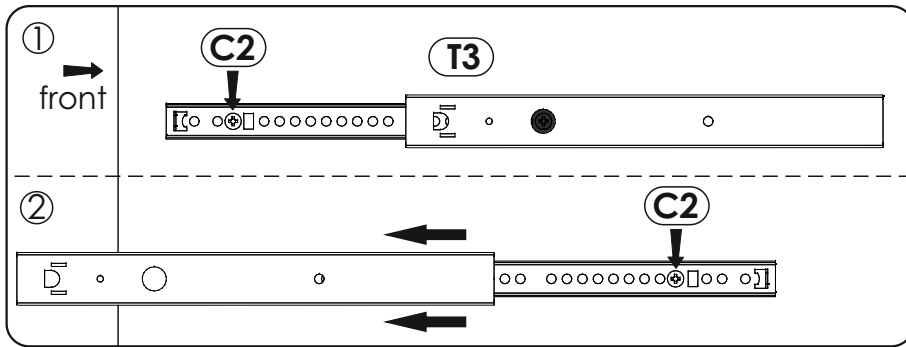
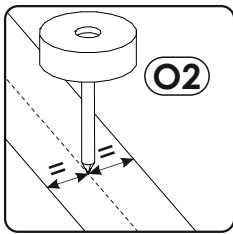
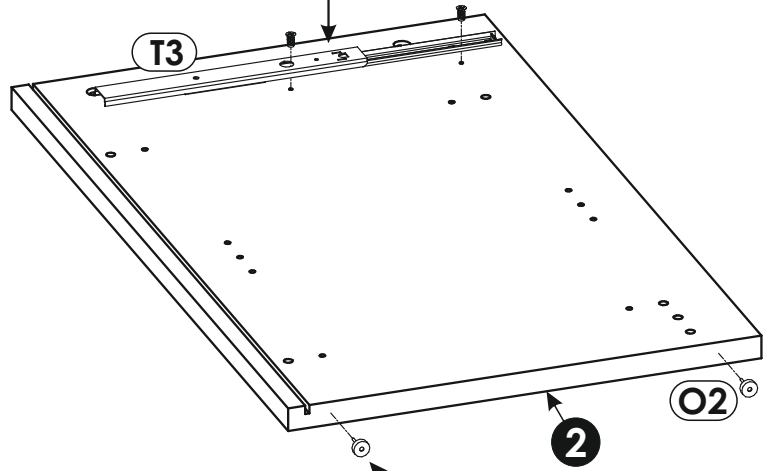
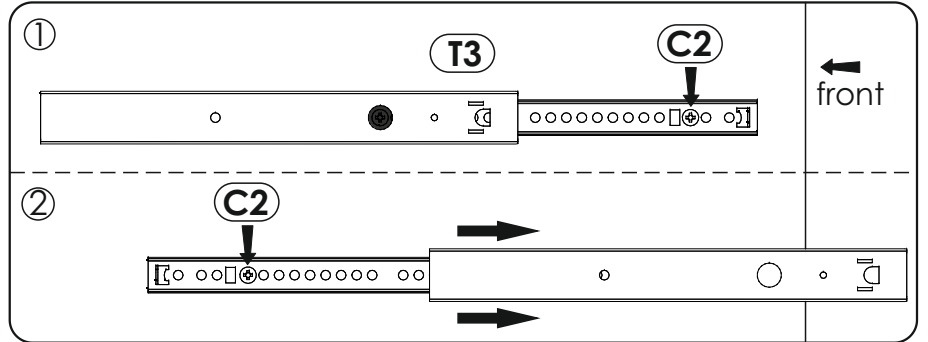
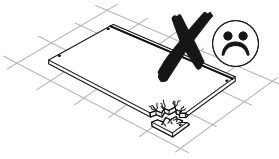
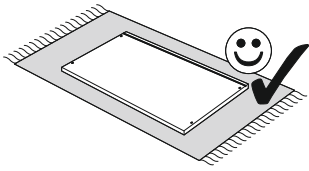


1	713	444	22	x1	1/2
2	713	444	22	x1	2/2
3	713	444	22	x1	1/2
4	1200	520	22	x1	2/2
5	618	400	16	x1	2/2
6	512	405	16	x1	1/2
7	298	390	16	x1	1/2
8	436	405	16	x1	1/2
9	198	390	16	x1	1/2

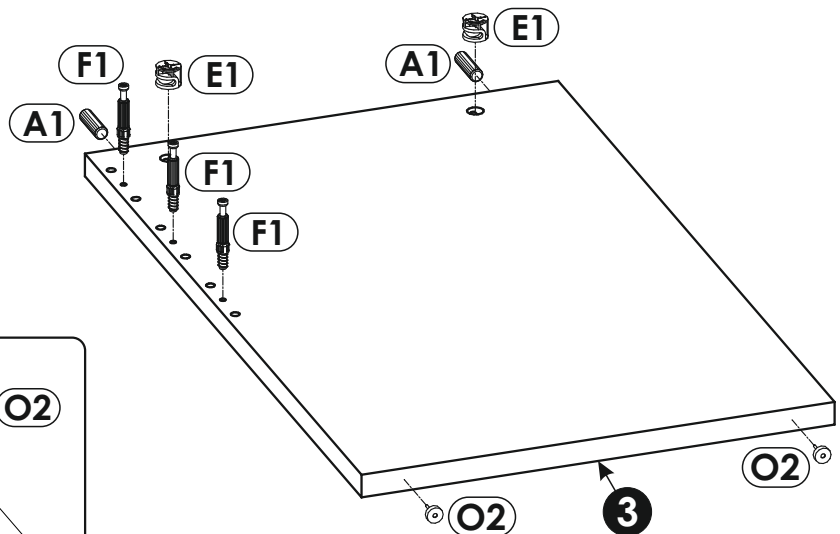
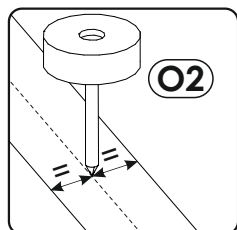
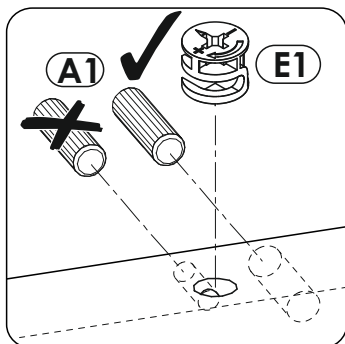
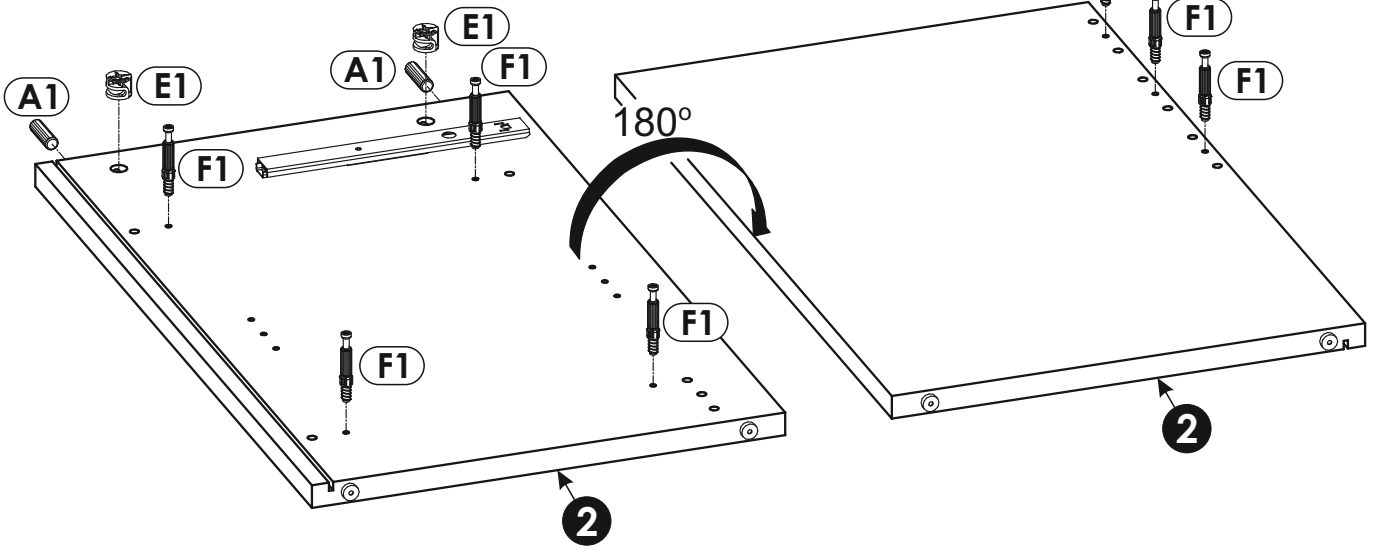
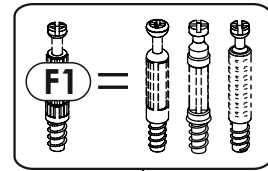
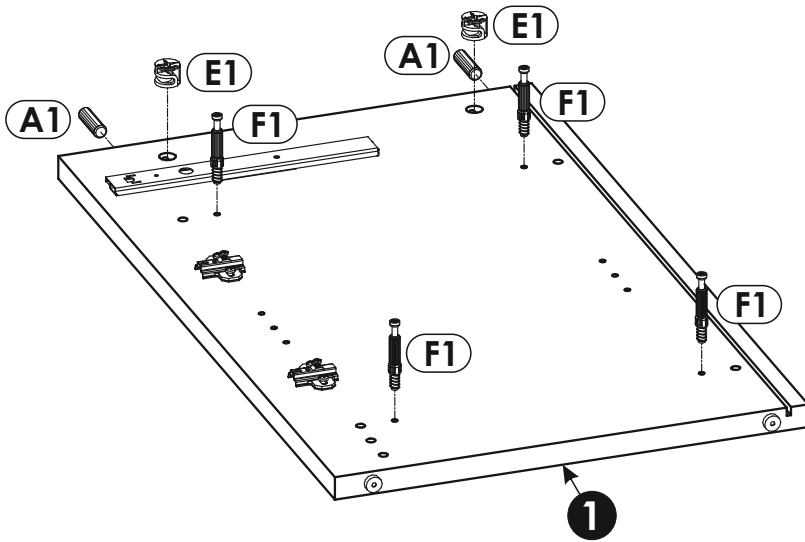
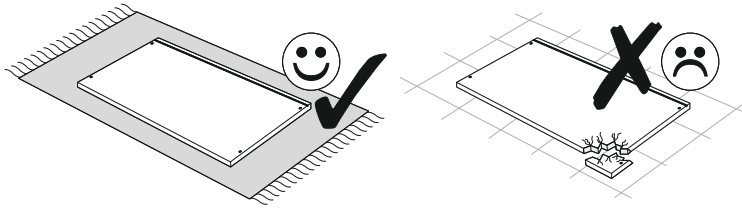
10	512	443	22	x1	1/2
11	512	85	16	x1	2/2
12	395	100	12	x1	2/2
13	395	100	12	x1	2/2
14	480	84	16	x1	2/2
15	506	158	16	x1	2/2
16	440	308	16	x1	2/2
17	490	400	3	x1	1/2
18	620	526	3	x1	2/2



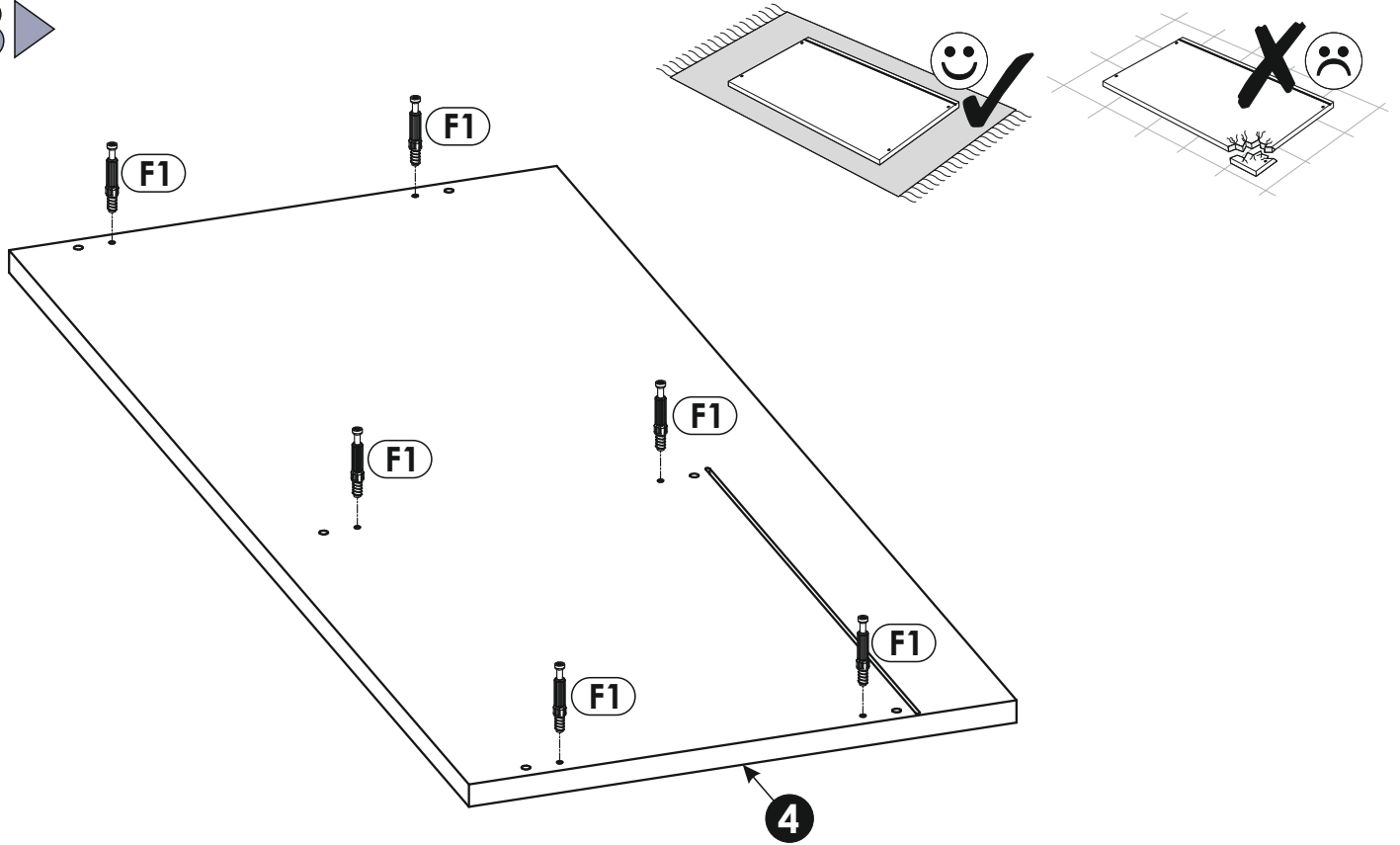
1 ▶



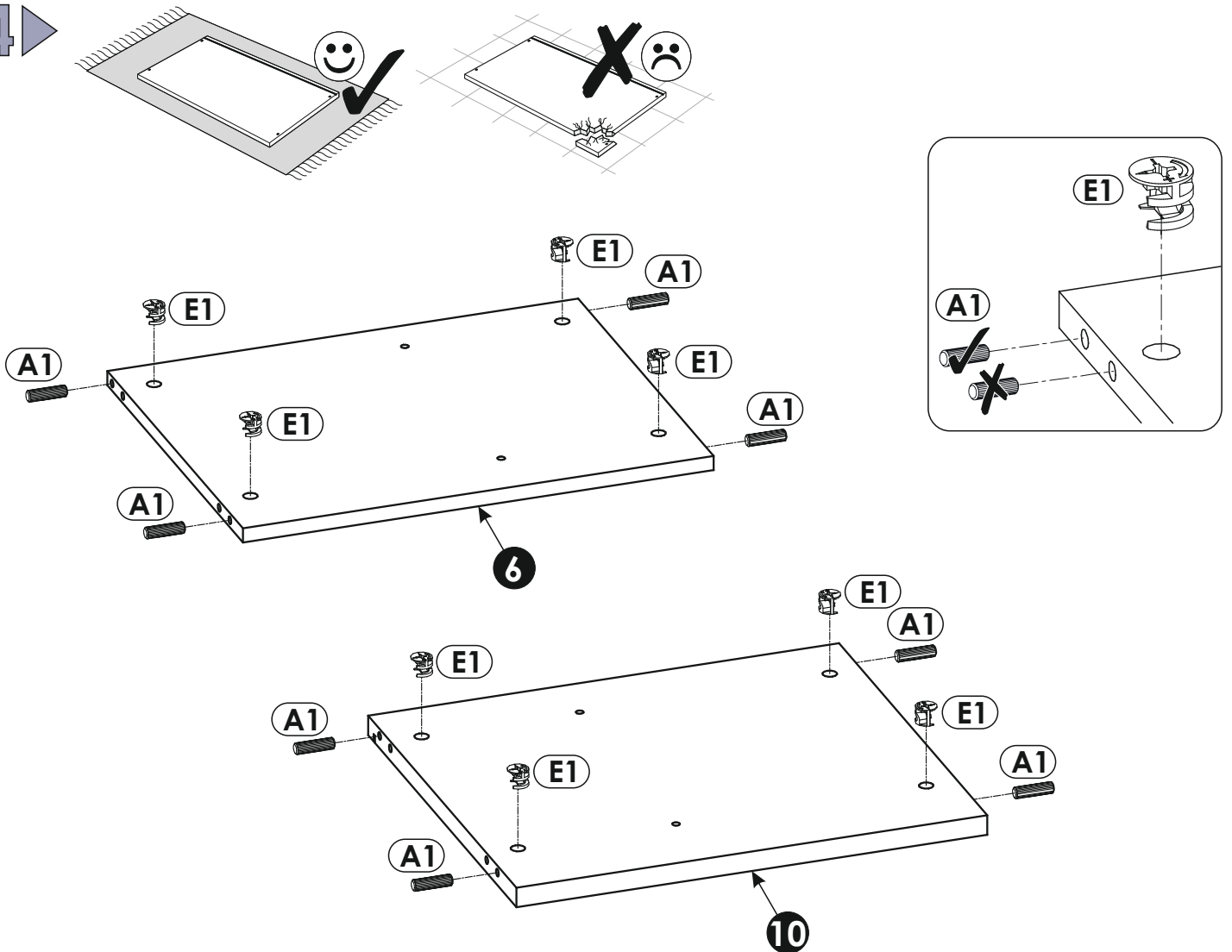
2 ▶



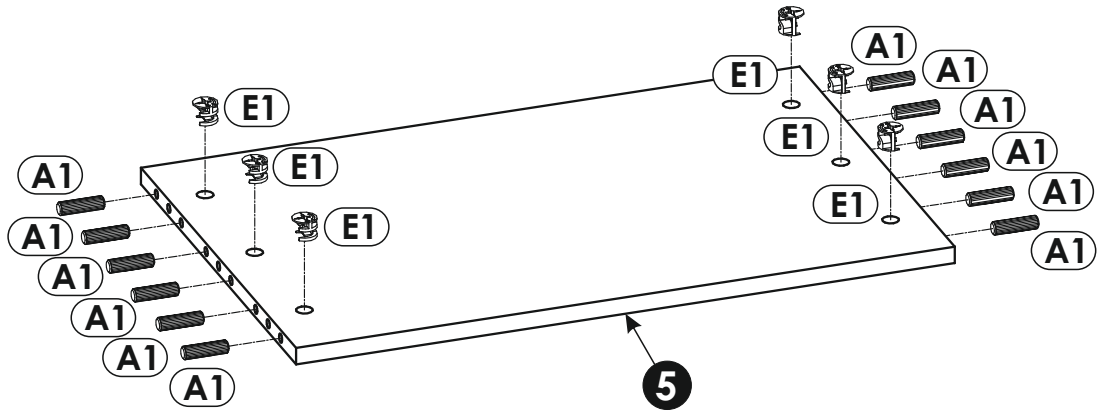
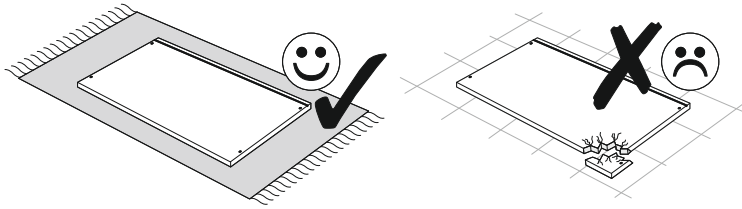
3 ▶



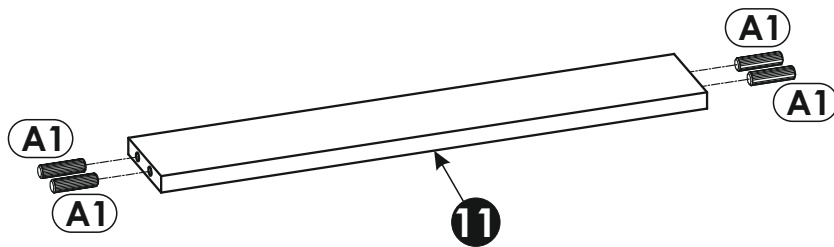
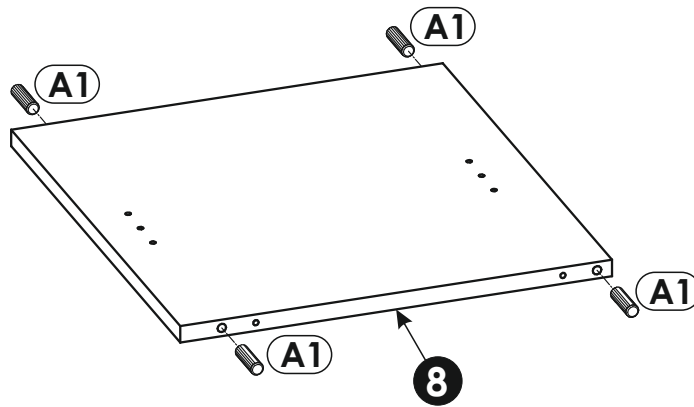
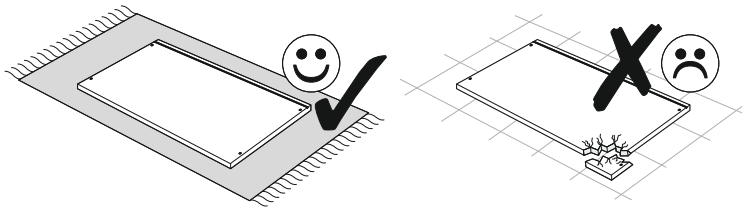
4 ▶

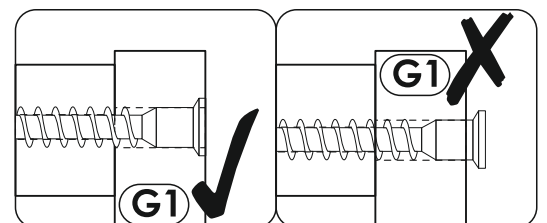
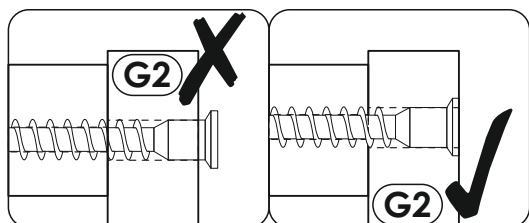
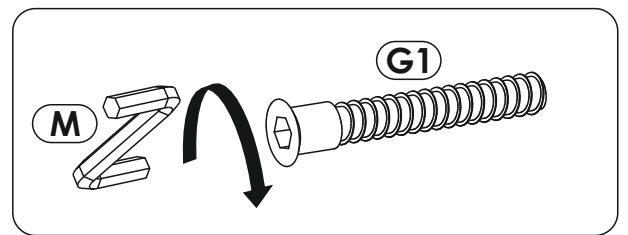
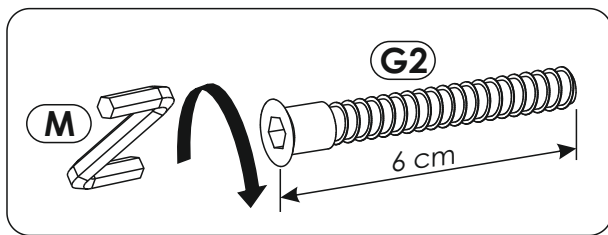
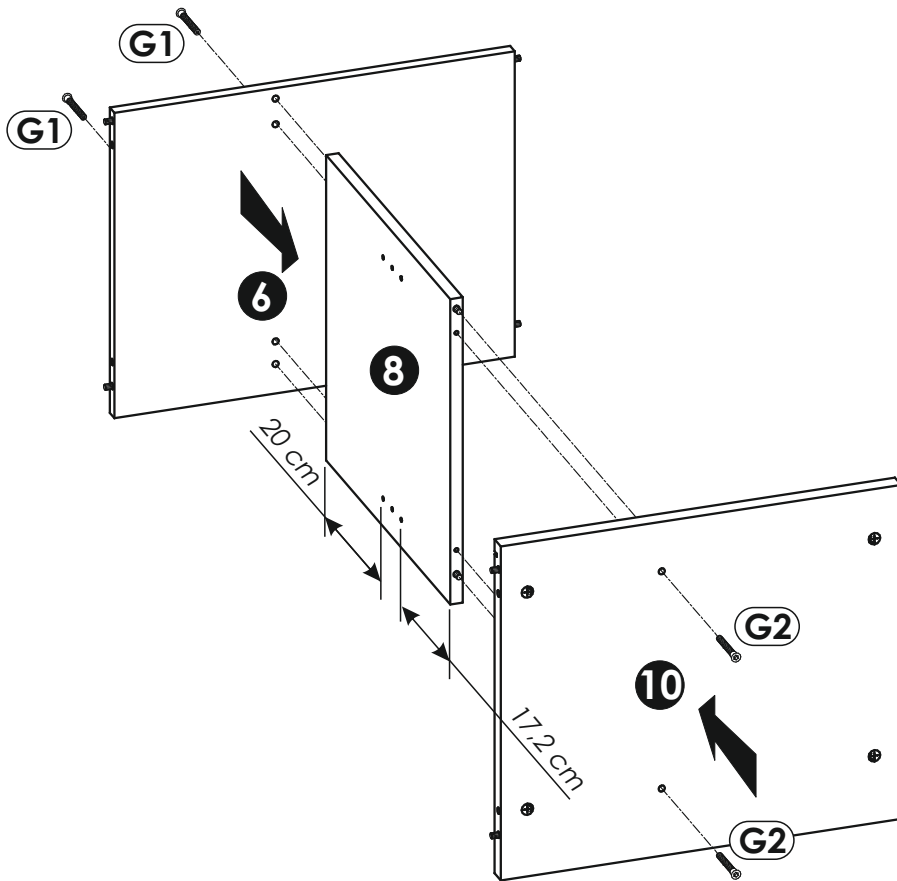
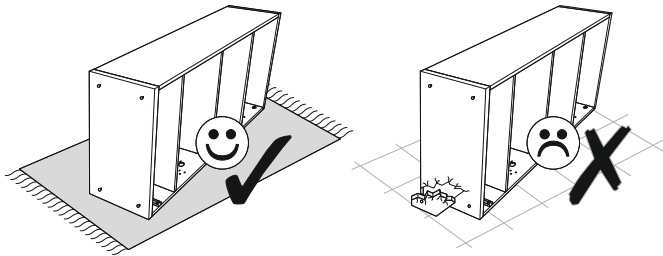


5 ▶

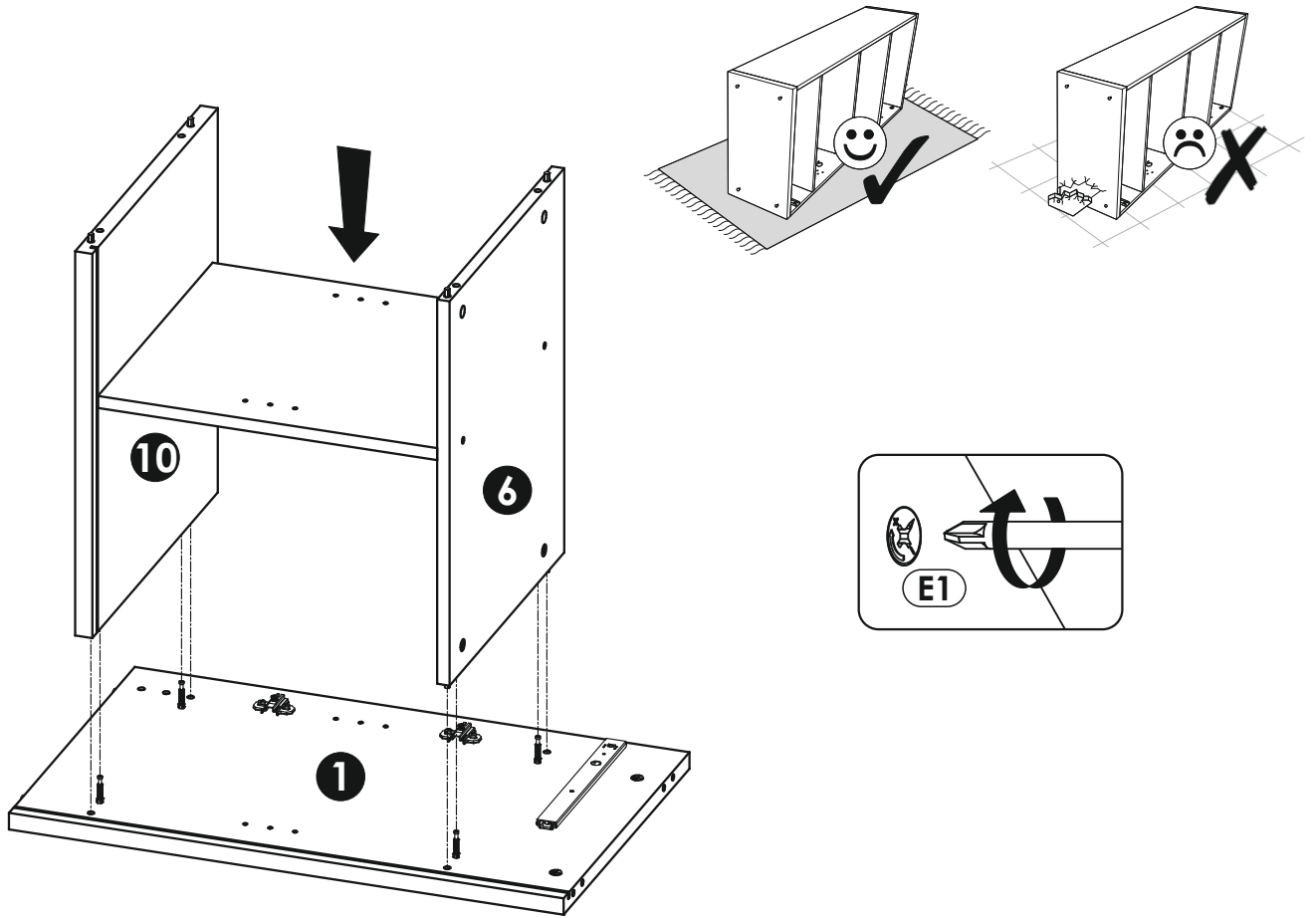


6 ▶

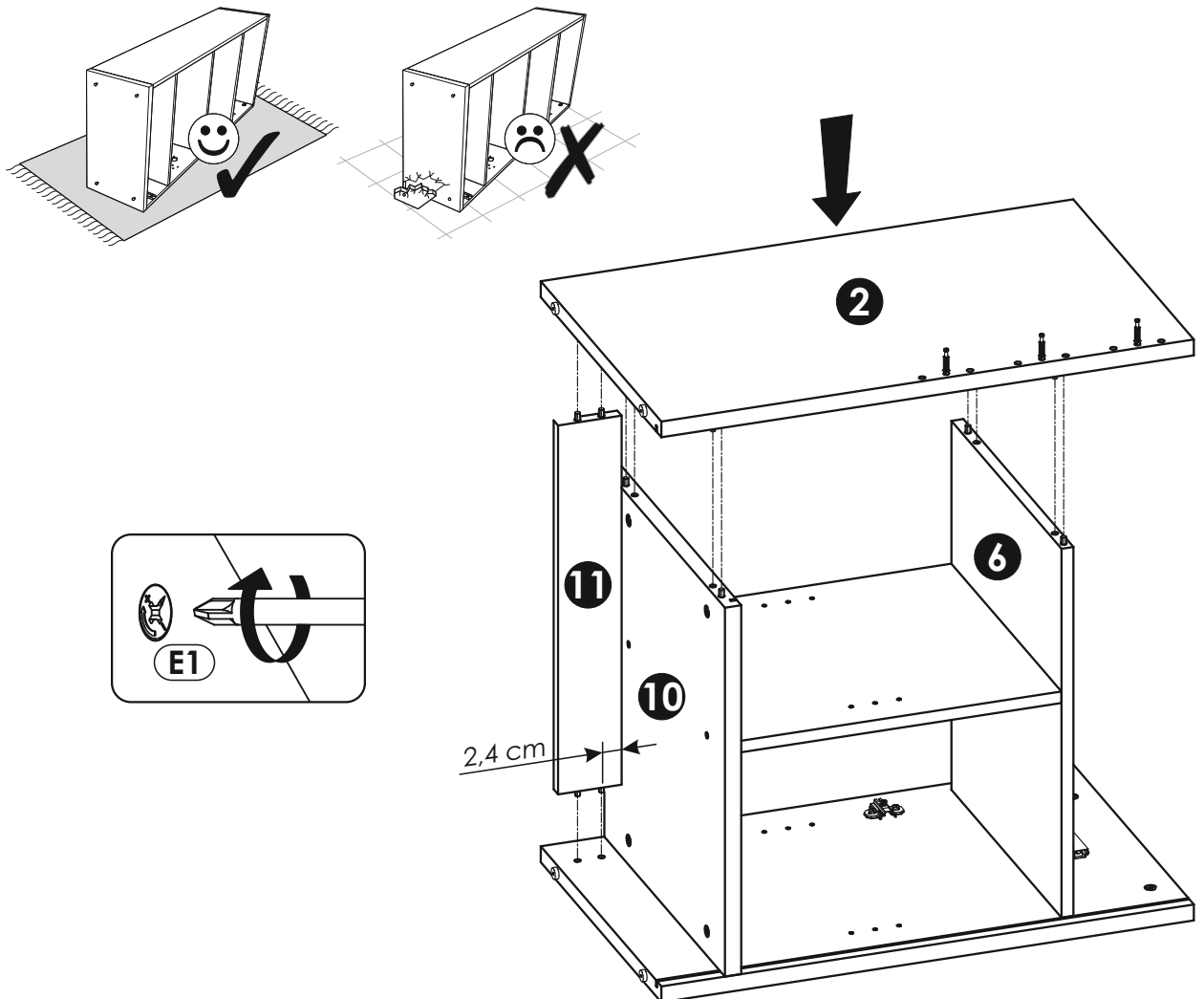




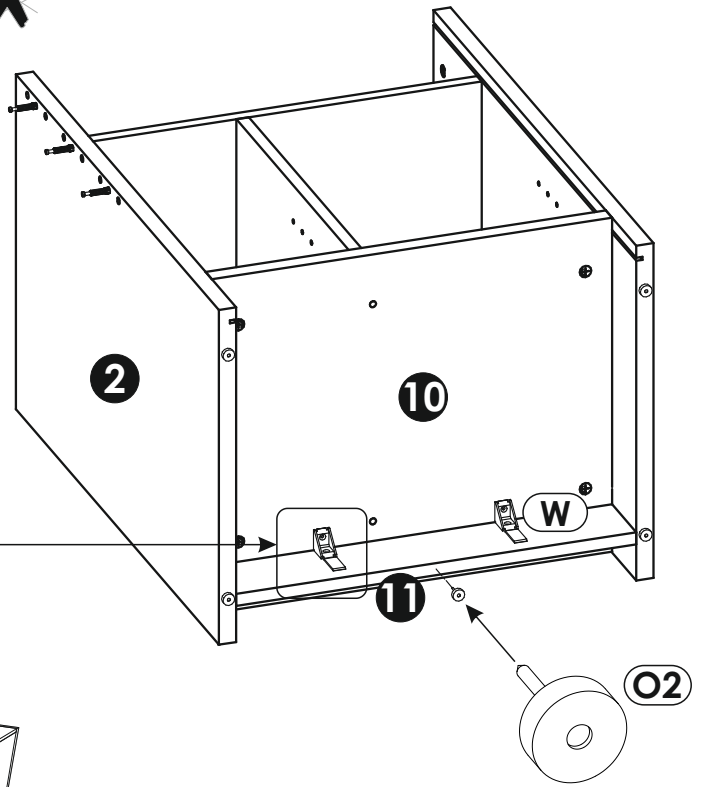
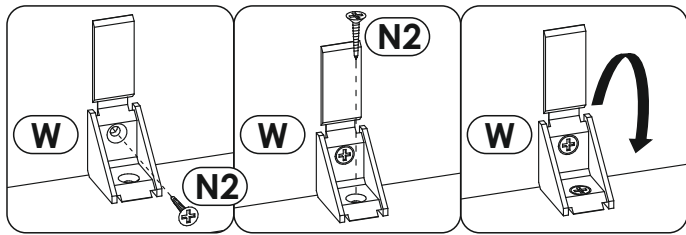
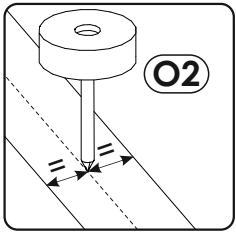
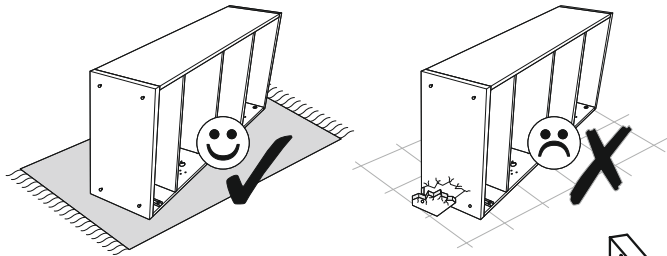
8 ▶



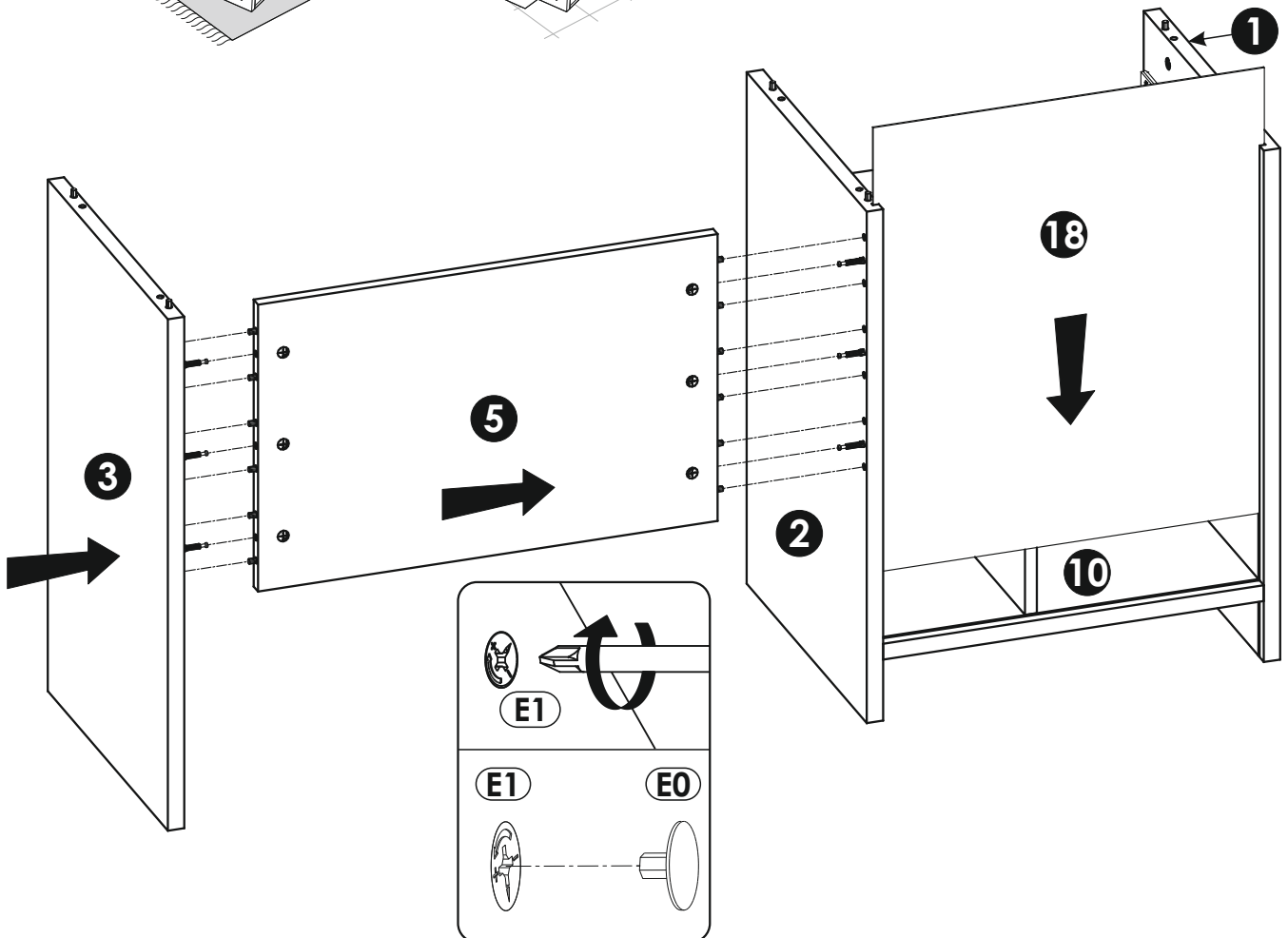
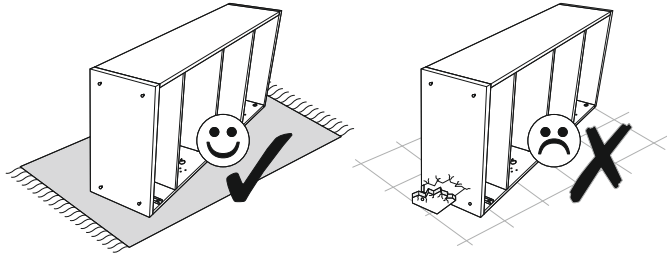
9 ▶



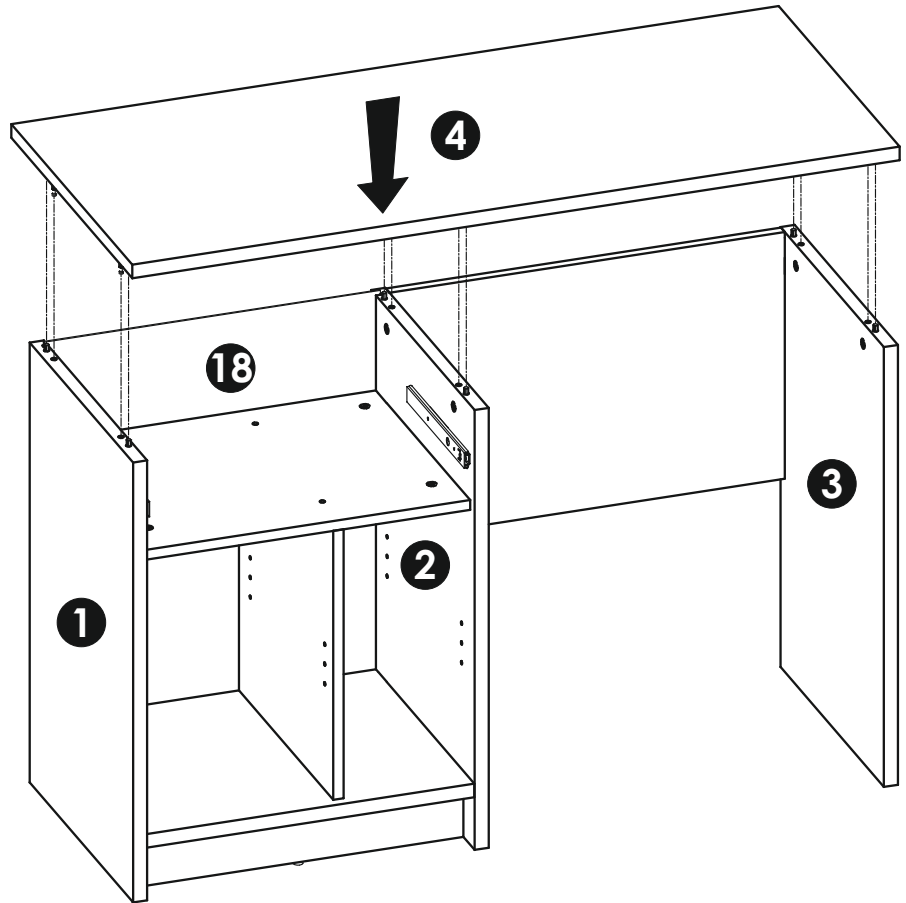
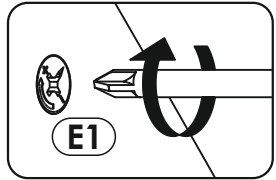
10 ▶



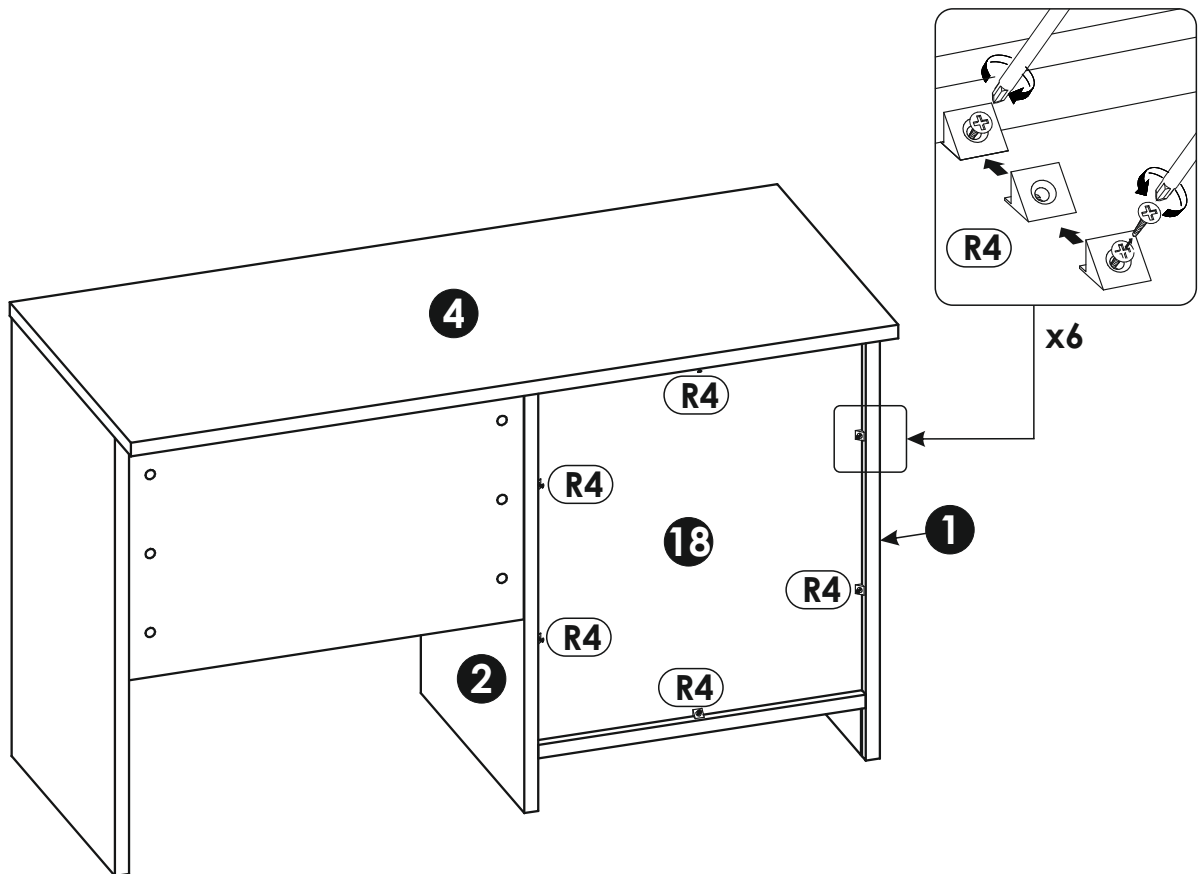
11 ▶



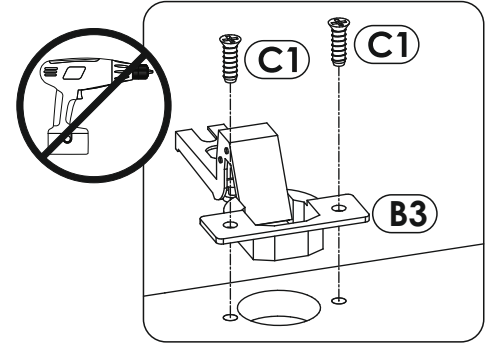
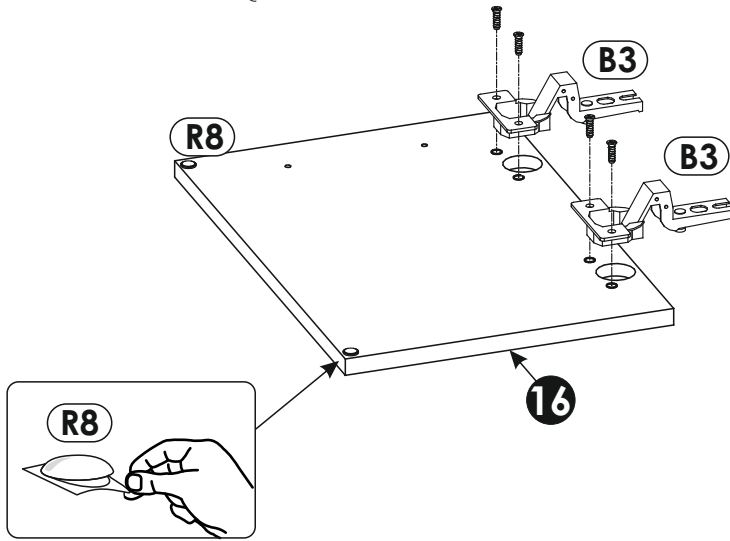
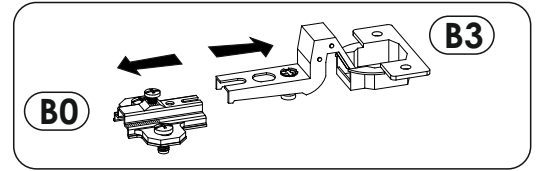
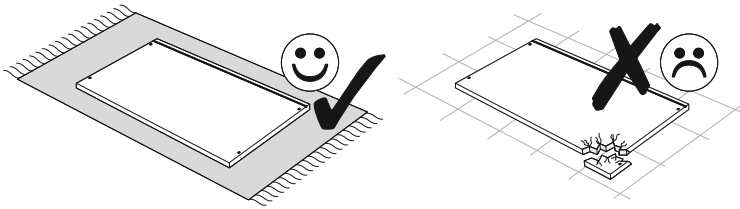
12▶



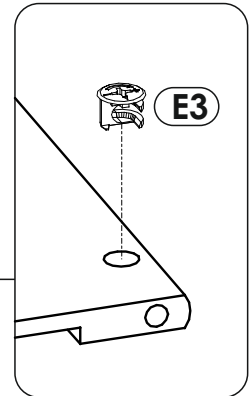
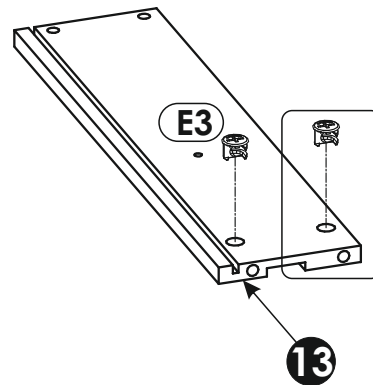
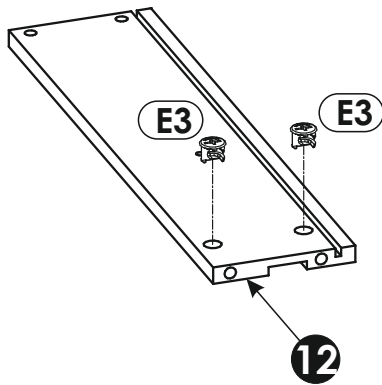
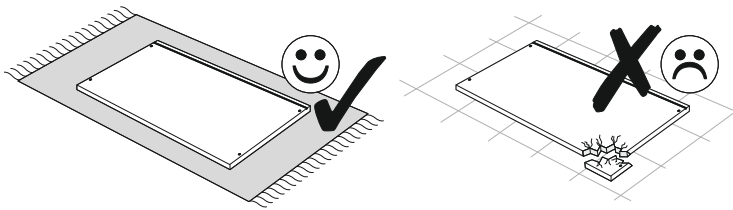
13▶



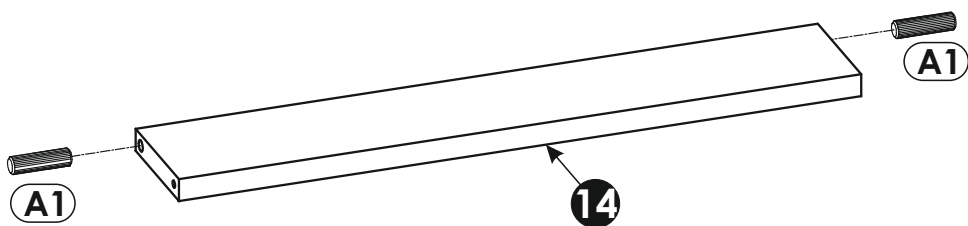
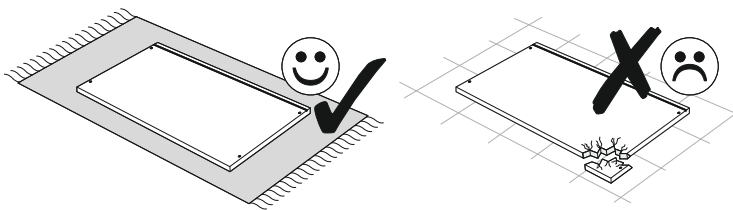
14▶



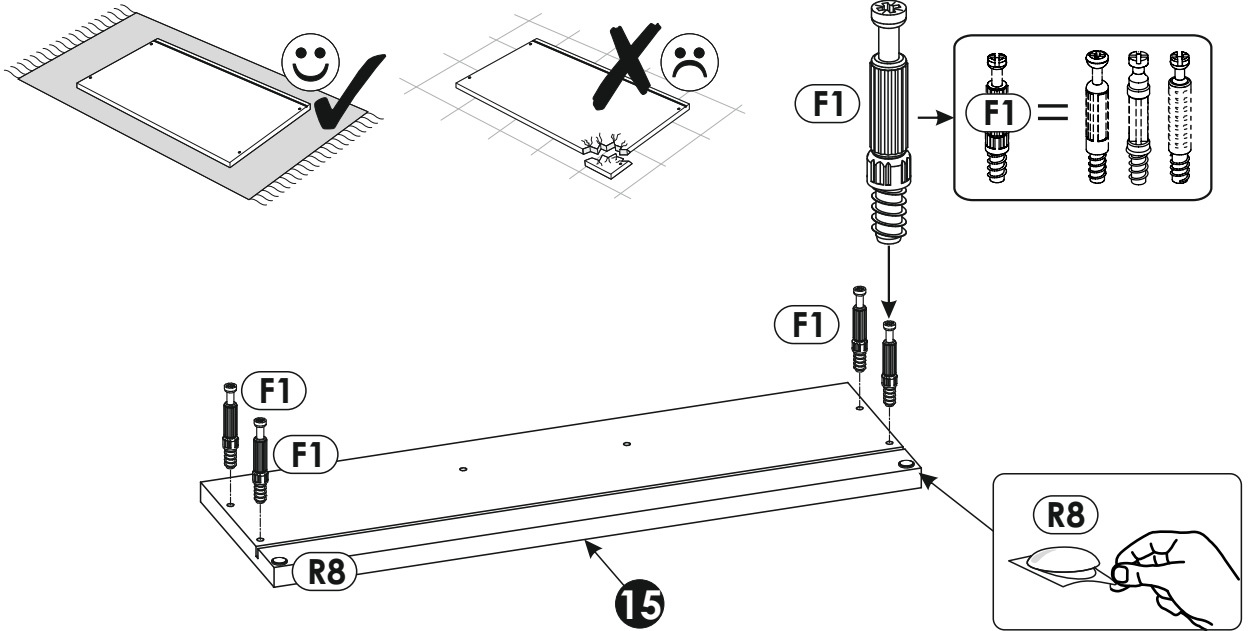
15▶



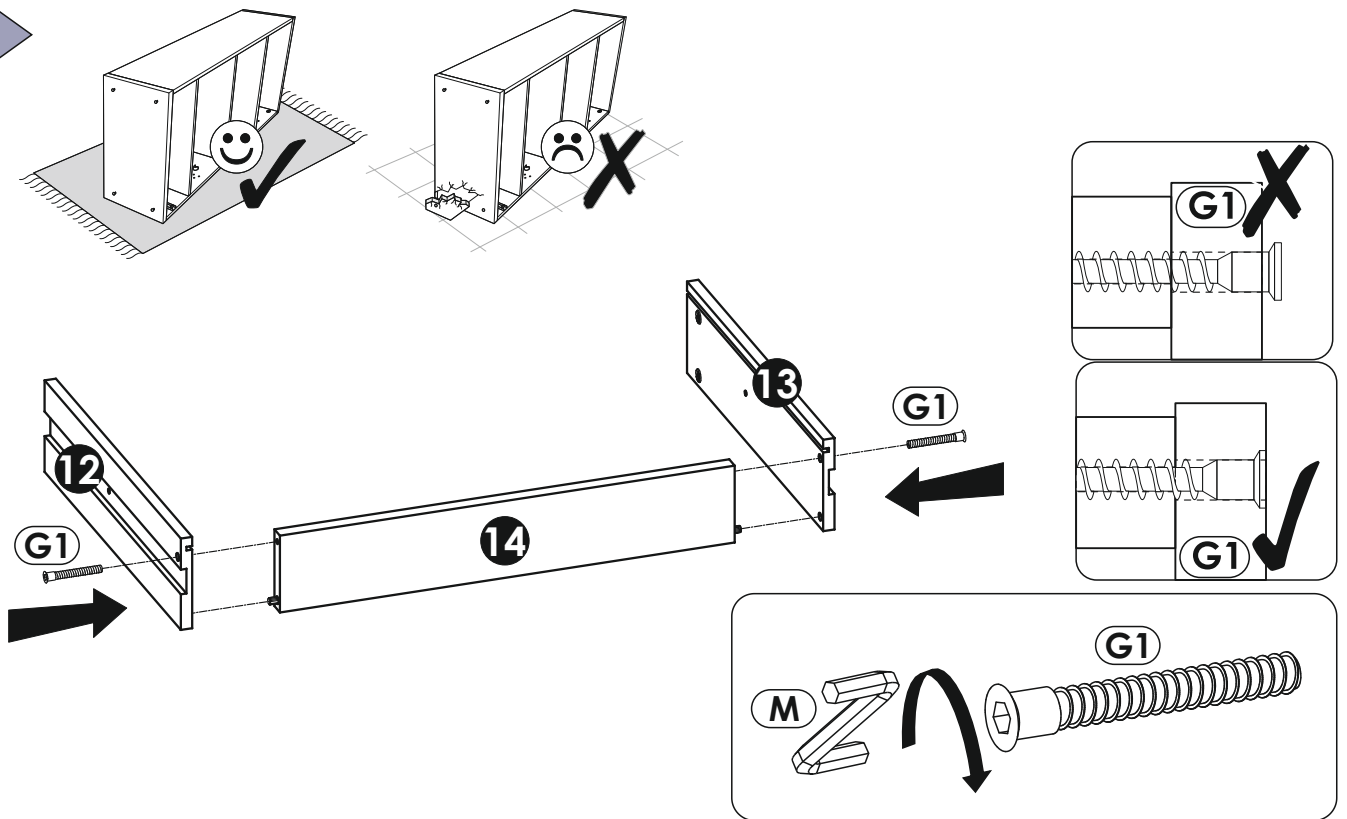
16▶



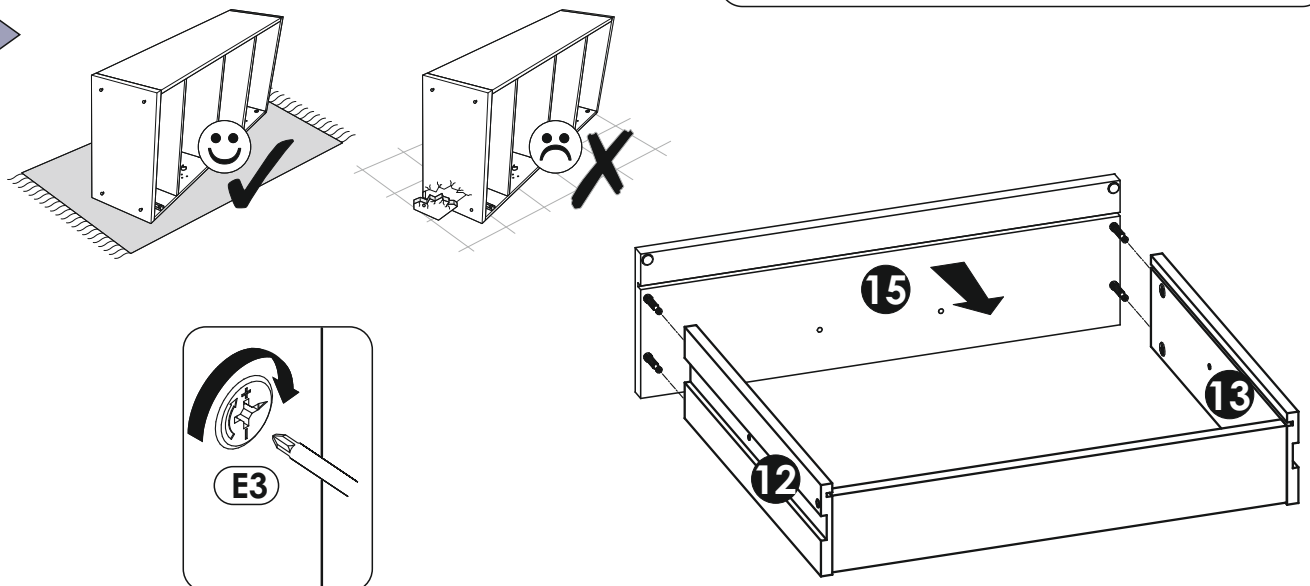
17 ▶



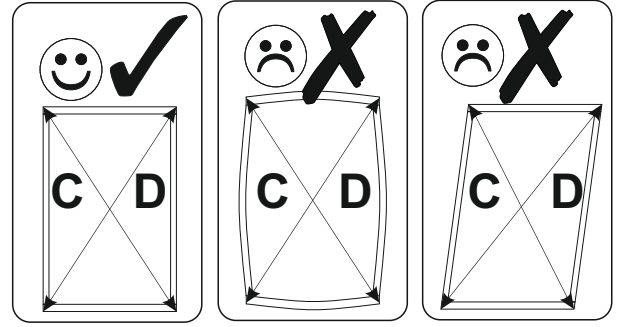
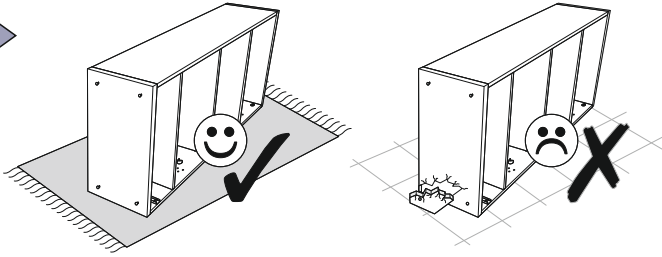
18 ▶



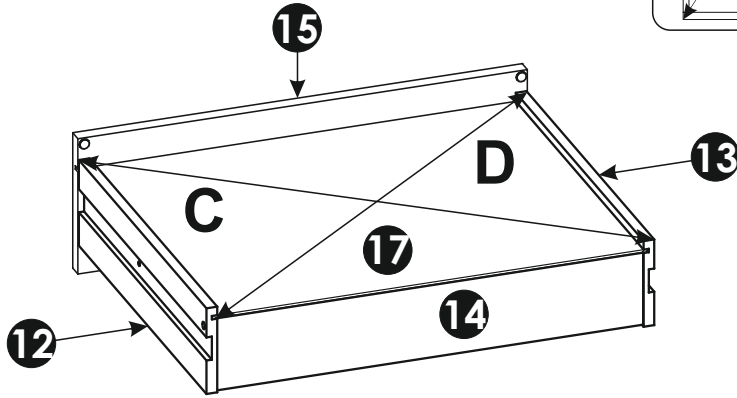
19 ▶



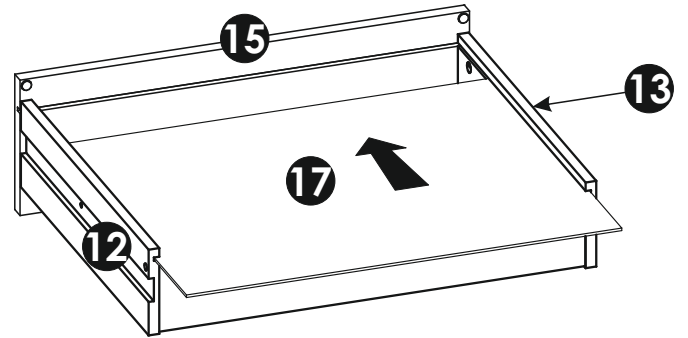
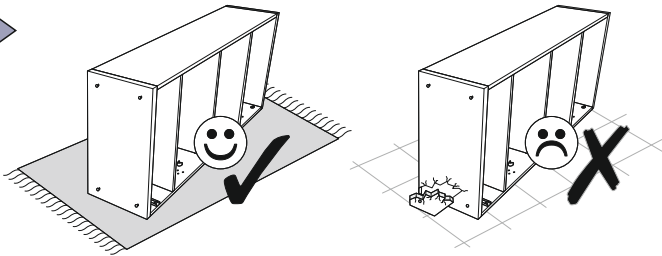
20 ▶



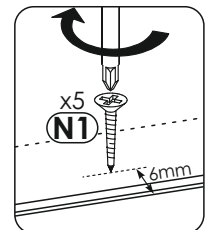
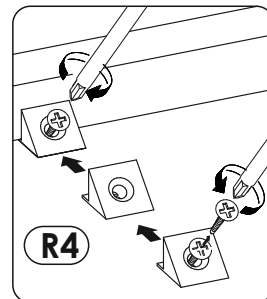
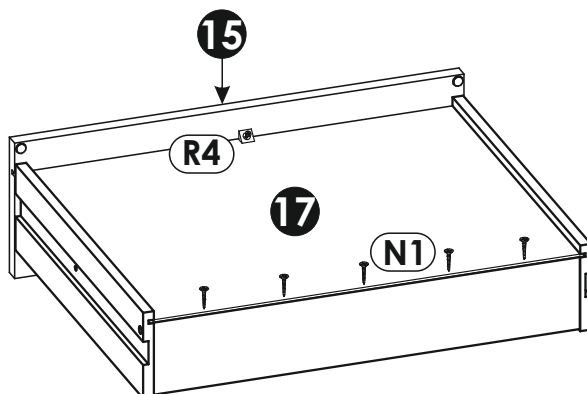
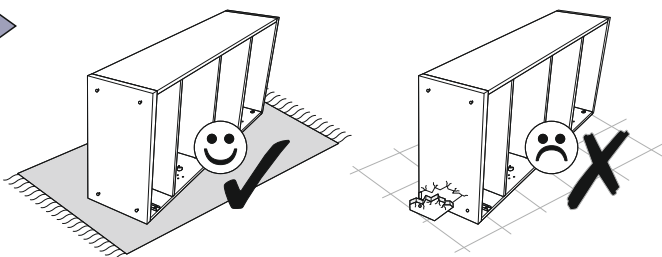
C=D



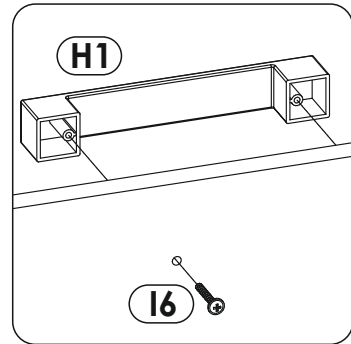
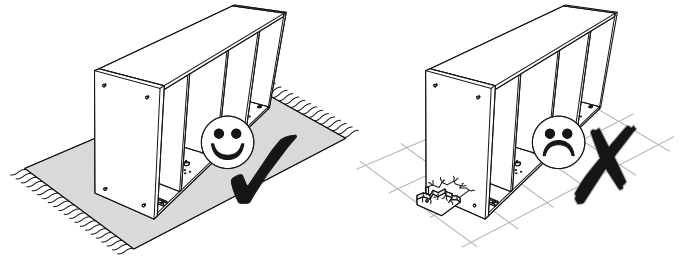
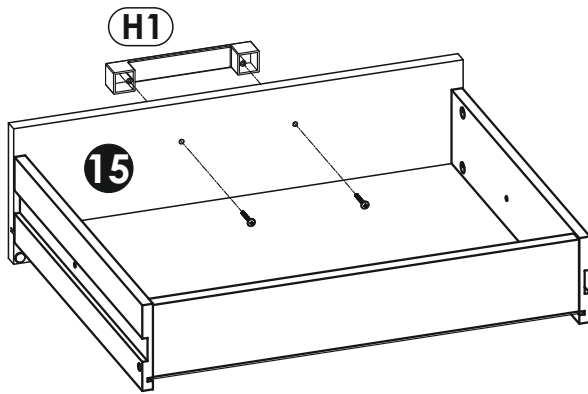
21 ▶



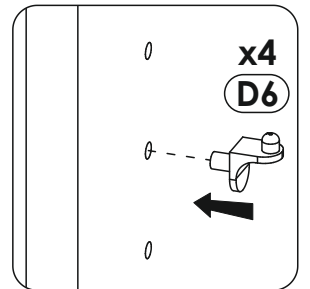
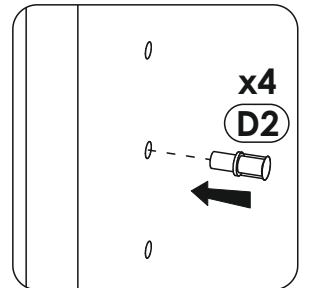
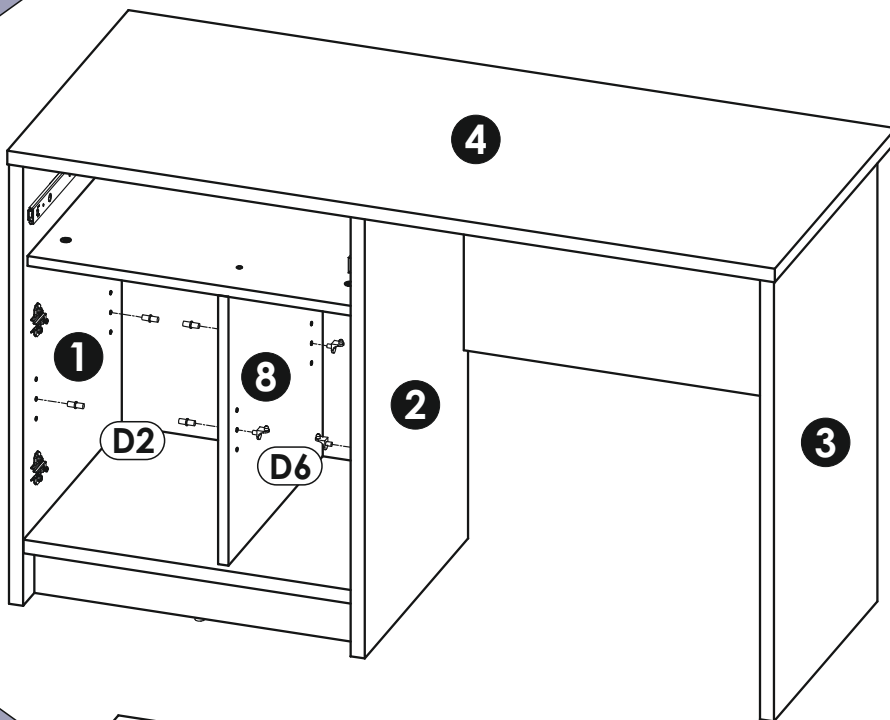
22 ▶



23 ▶



24 ▶



25 ▶

