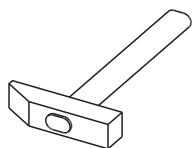
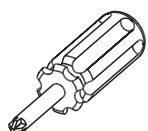
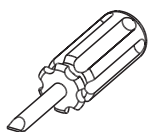


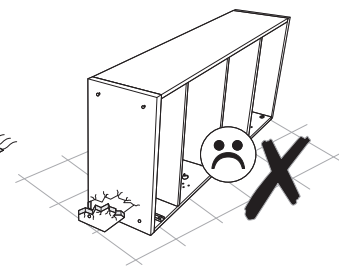
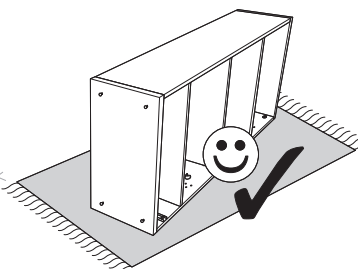
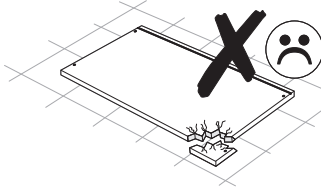
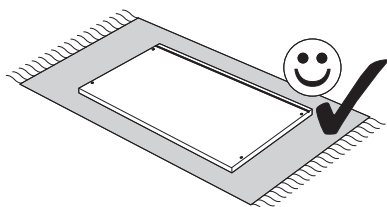
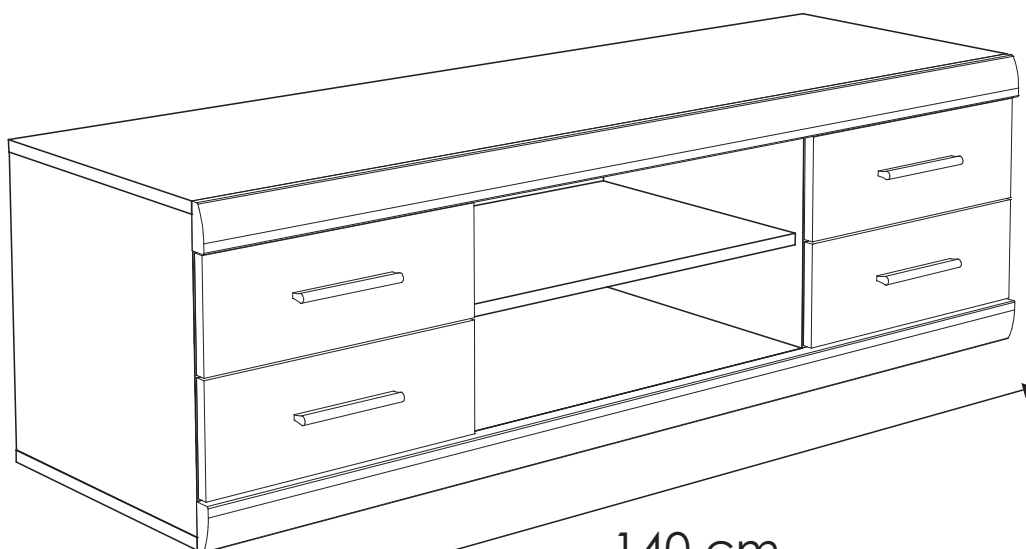
IMPERIAL / IMPERIAL NEW TYP51

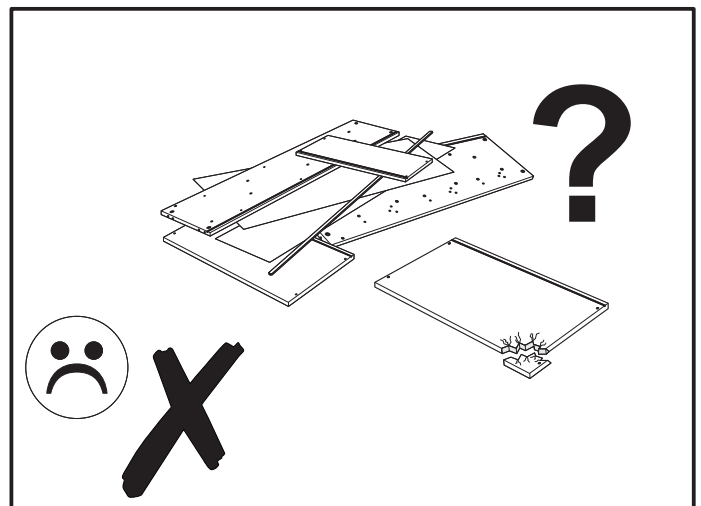
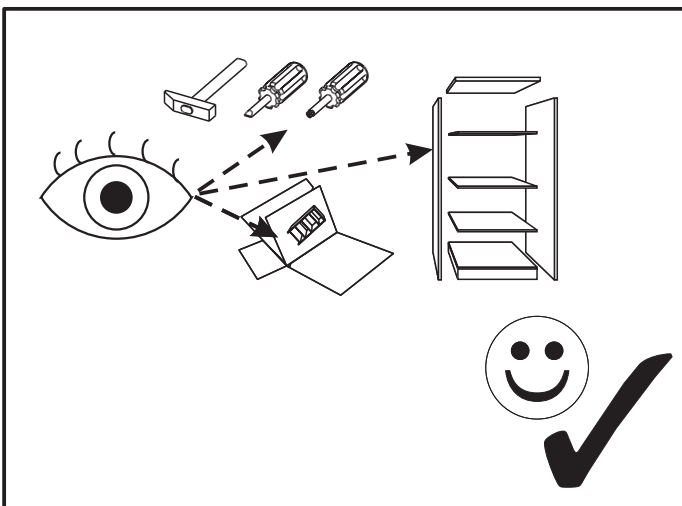
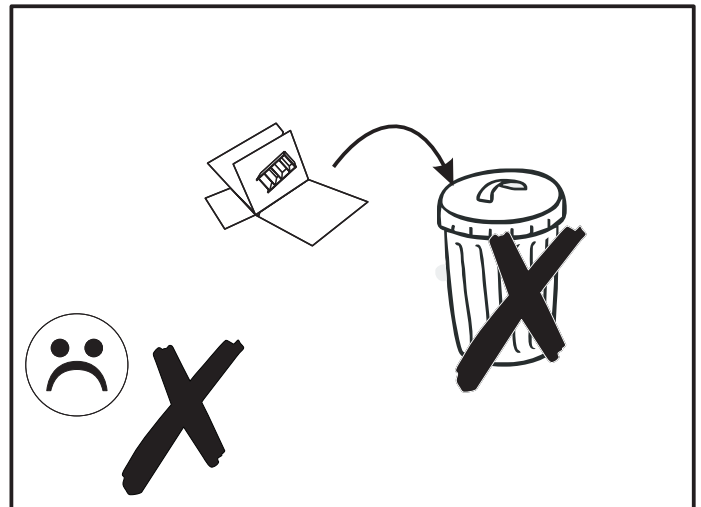
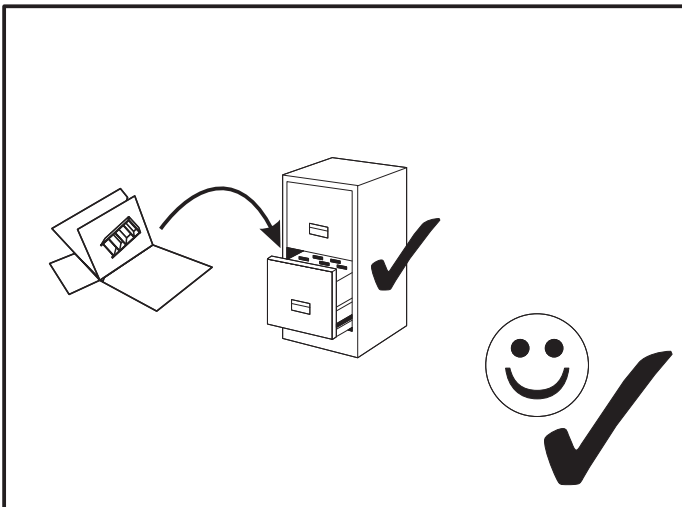
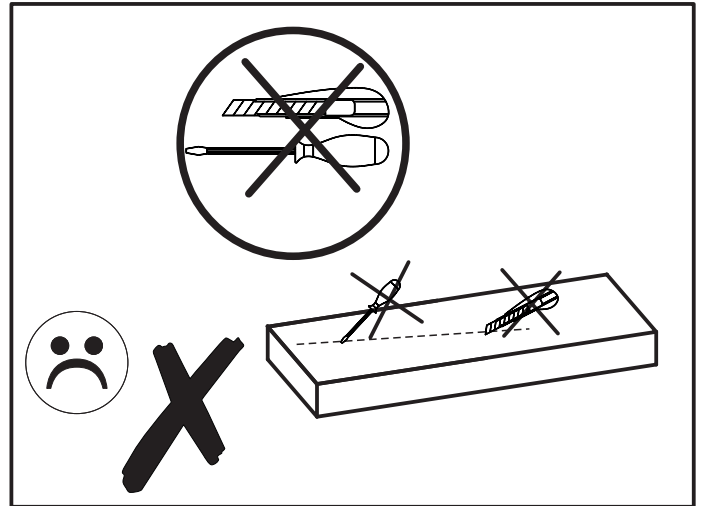
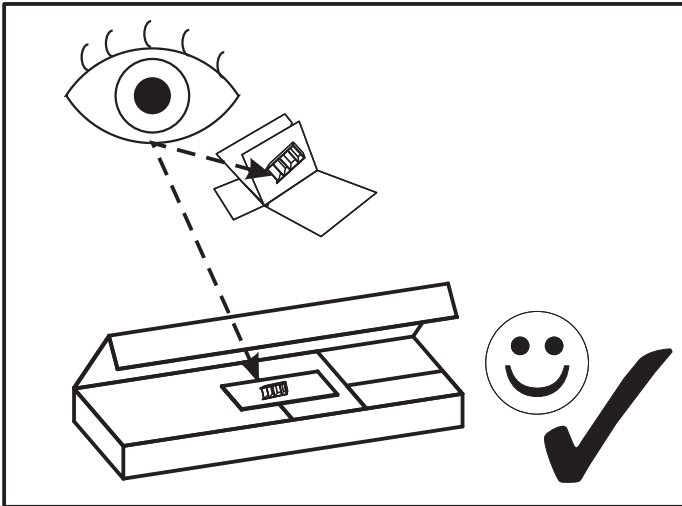


44 cm

45 cm









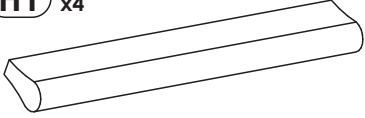
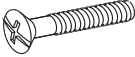
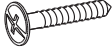

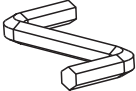

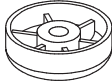

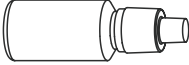

140 cm

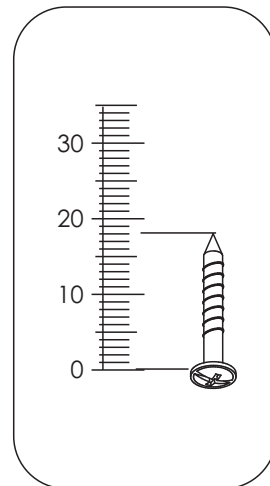
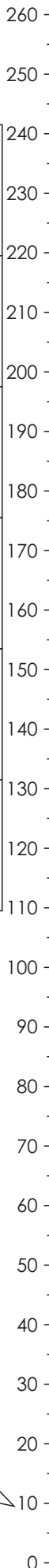




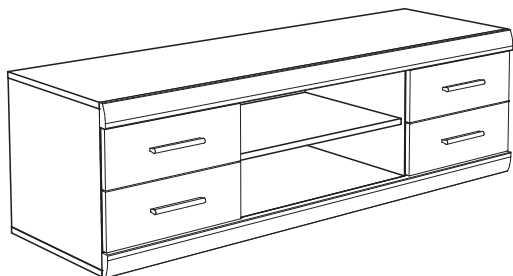
IMPERIAL / IMPERIAL NEW TYP51

MM

<p>A1 x36 $\varnothing 8 \times 35$ mm</p> 	<p>C2 x16 EURO 5 x 13 mm</p> 	<p>D2 x4</p> 
<p>E0 x20</p> 	<p>E1 x20</p> 	<p>F1 x20</p> 
<p>G0 x8</p> 	<p>G1 x8 $\varnothing 7 \times 50$ mm</p> 	<p>H1 x4</p> 
<p>I8 x8 4 x 27 mm</p> 	<p>I10 x6 3,5 x 22 mm</p> 	<p>K1 x8 M4 x 9 mm</p> 
<p>M x1</p> 	<p>N1 x50 3 x 16 mm</p> 	<p>O1 x6</p> 
<p>P5 x2 $\varnothing 40$</p> 	<p>S x1</p> 	<p>TO x8 L-250</p> 

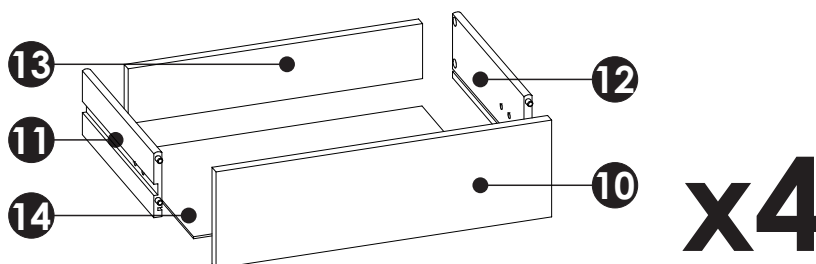
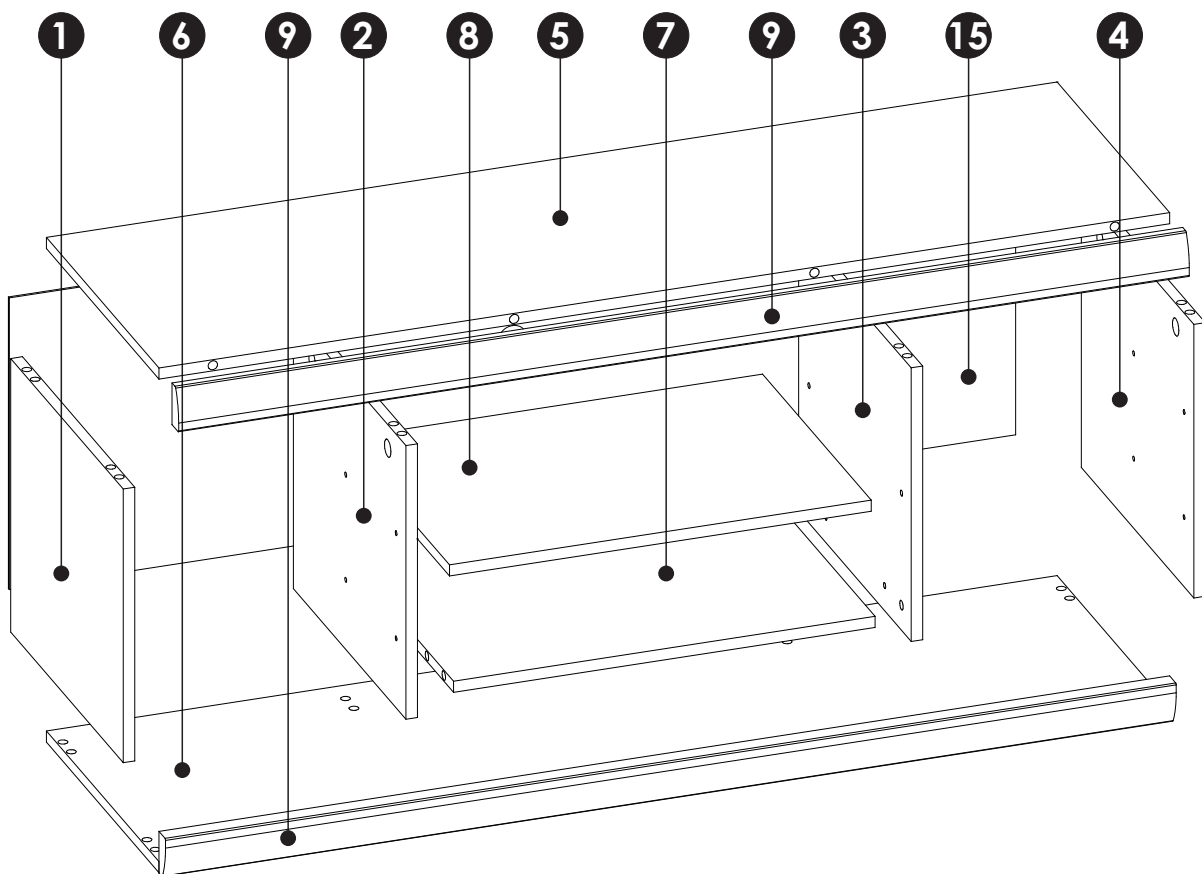


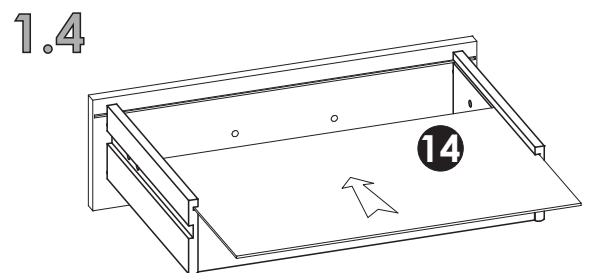
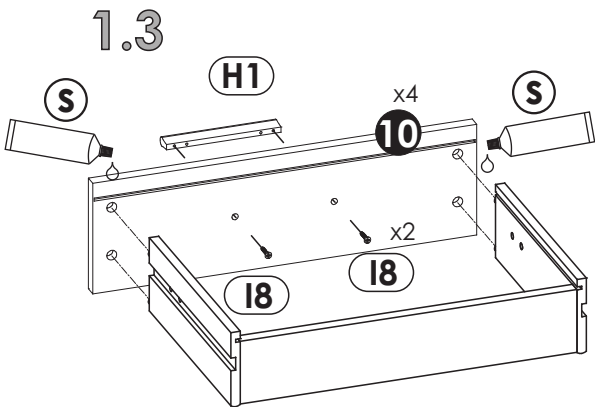
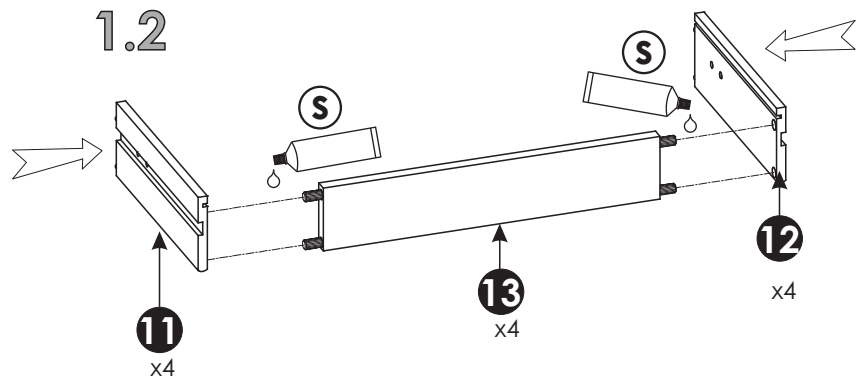
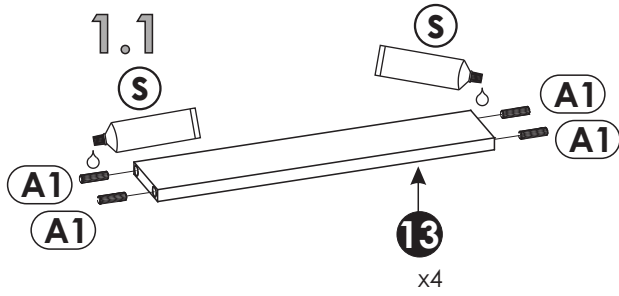
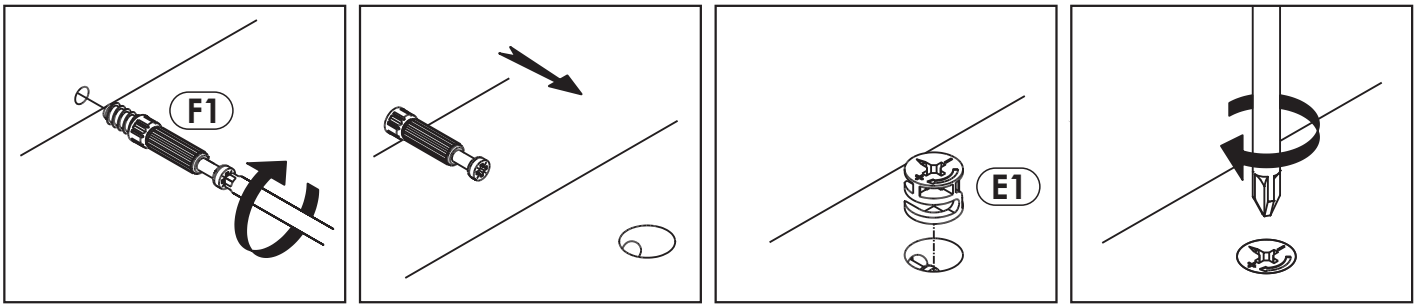
IMPERIAL / IMPERIAL NEW TYP51



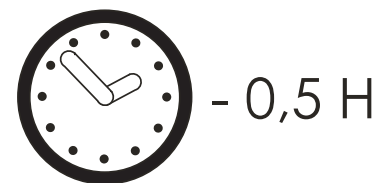
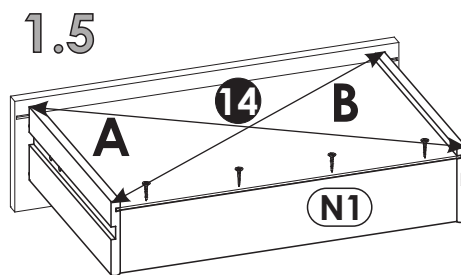
1	393	428	16	x1	1/1
2	393	428	16	x1	1/1
3	393	428	16	x1	1/1
4	393	428	16	x1	1/1
5	1400	428	16	x1	1/1
6	1400	428	16	x1	1/1
7	584	413	16	x1	1/1
8	584	428	16	x1	1/1

9	1400	60	25	x2	1/1
10	403	148	16	x4	1/1
11	350	100	12	x4	1/1
12	350	100	12	x4	1/1
13	343	84	16	x4	1/1
14	354	354	3	x4	1/1
15	1394	419	3	x1	1/1

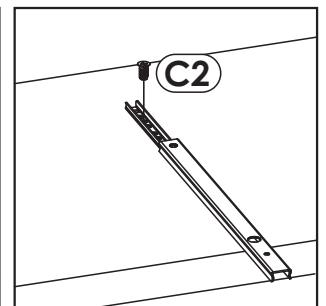
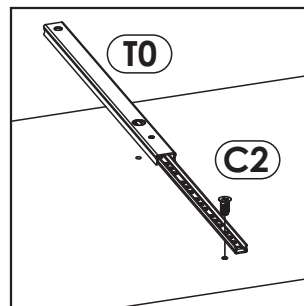
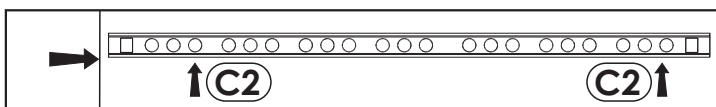
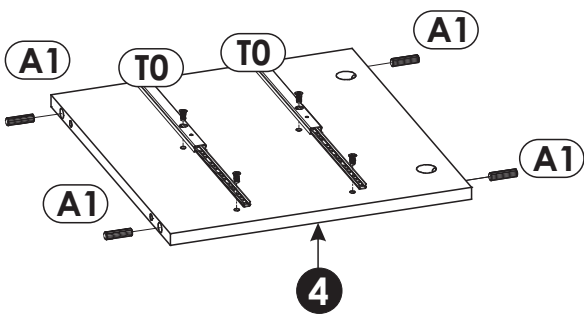
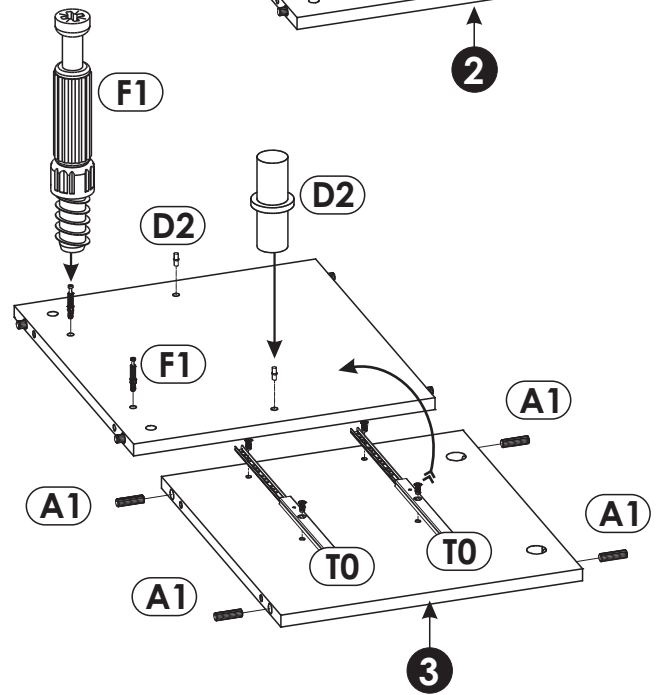
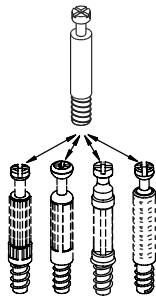
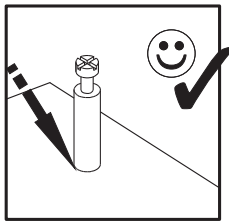
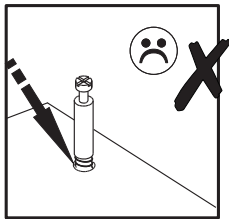
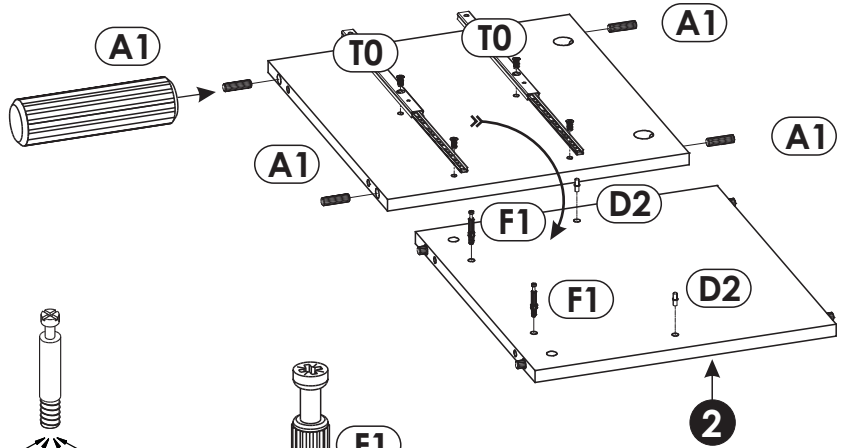
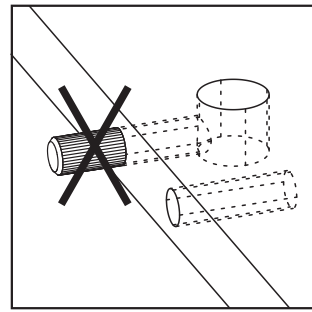
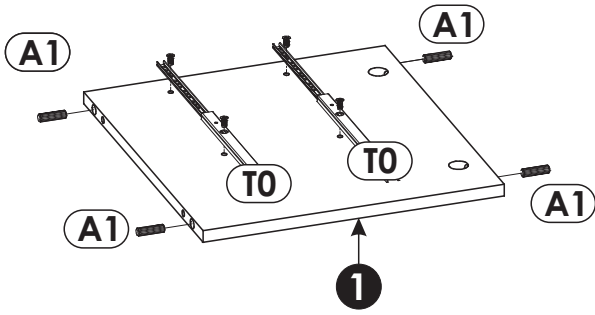




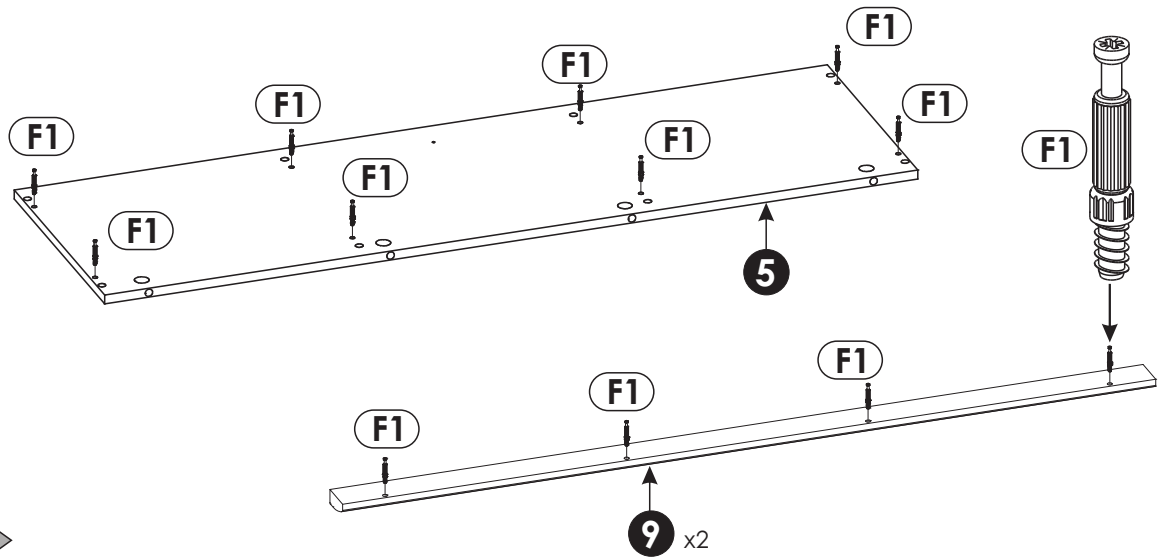
A=B



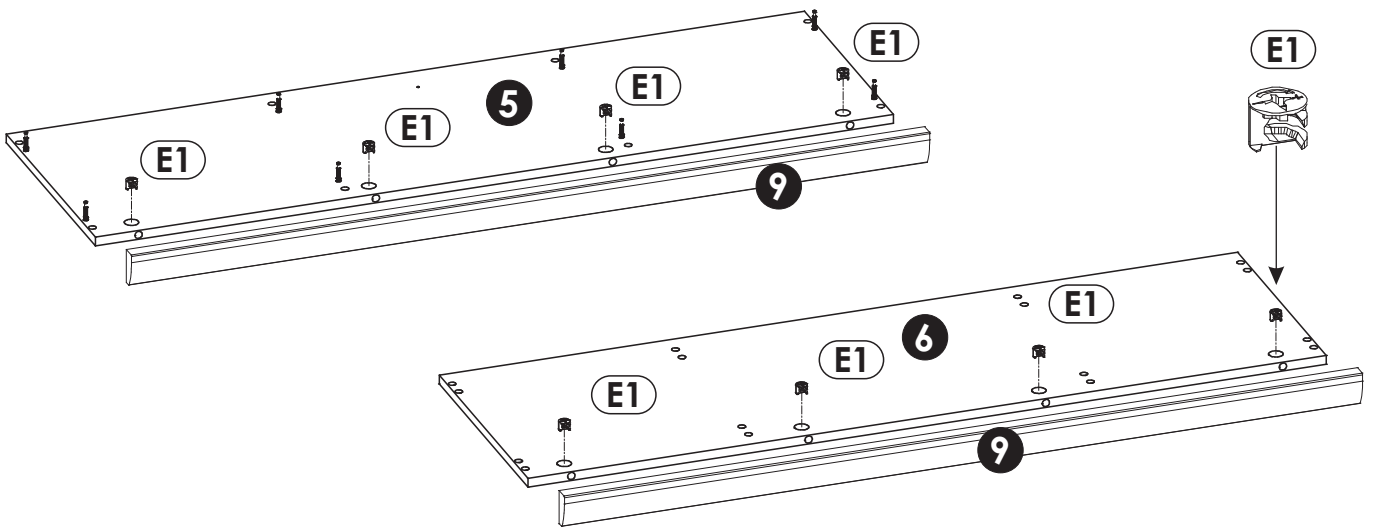
2 ▶



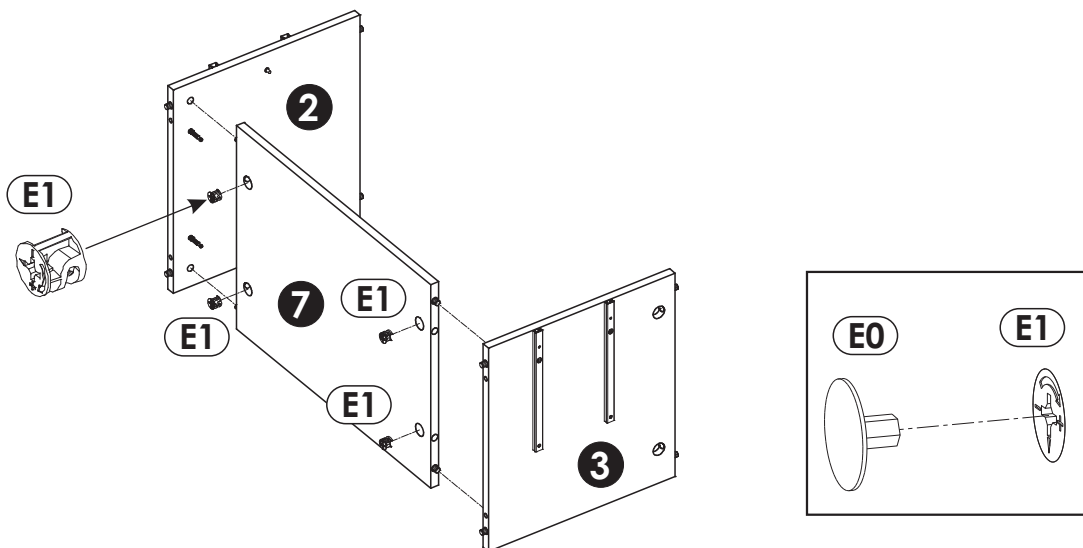
3 ▶



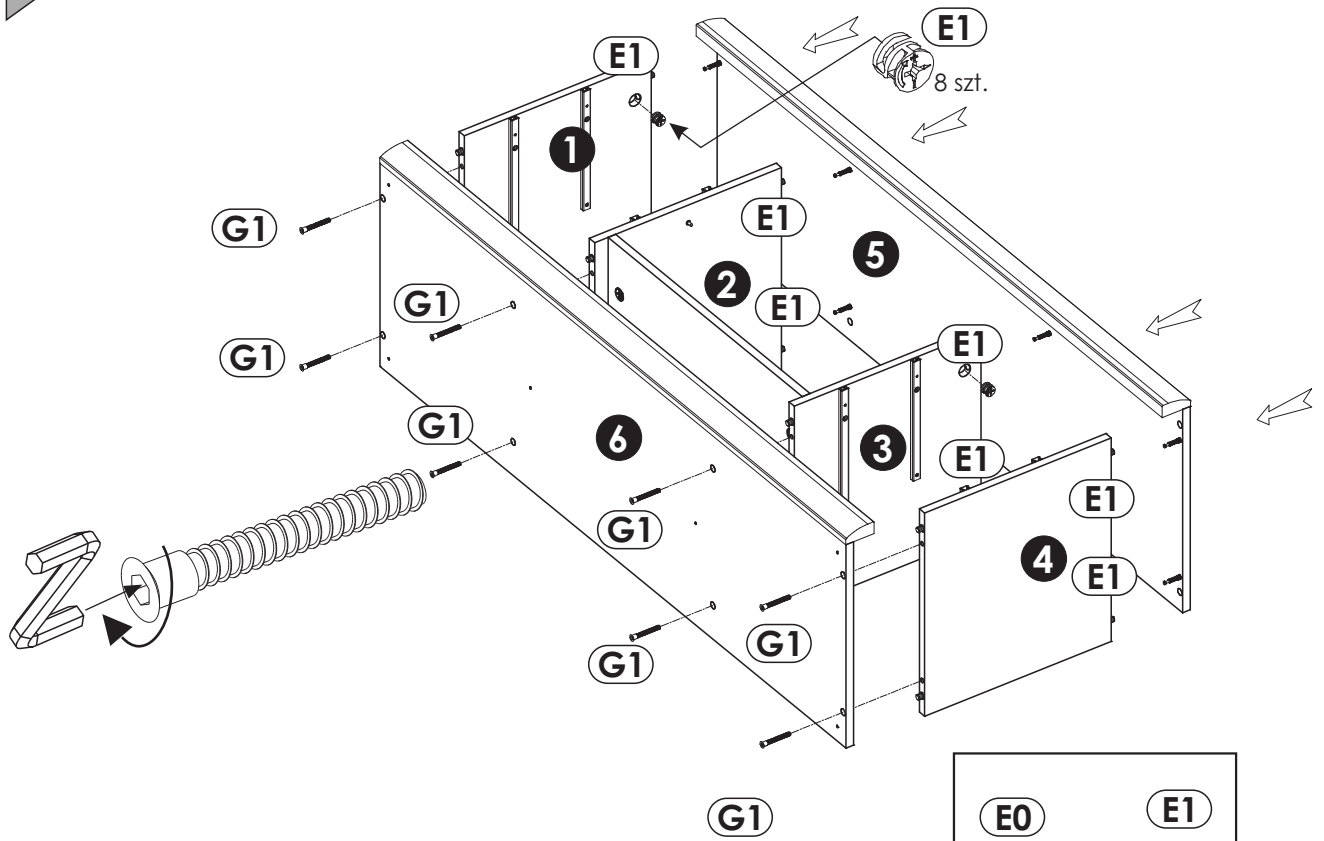
4 ▶



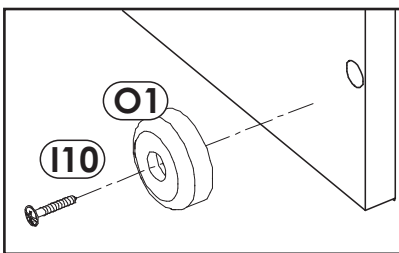
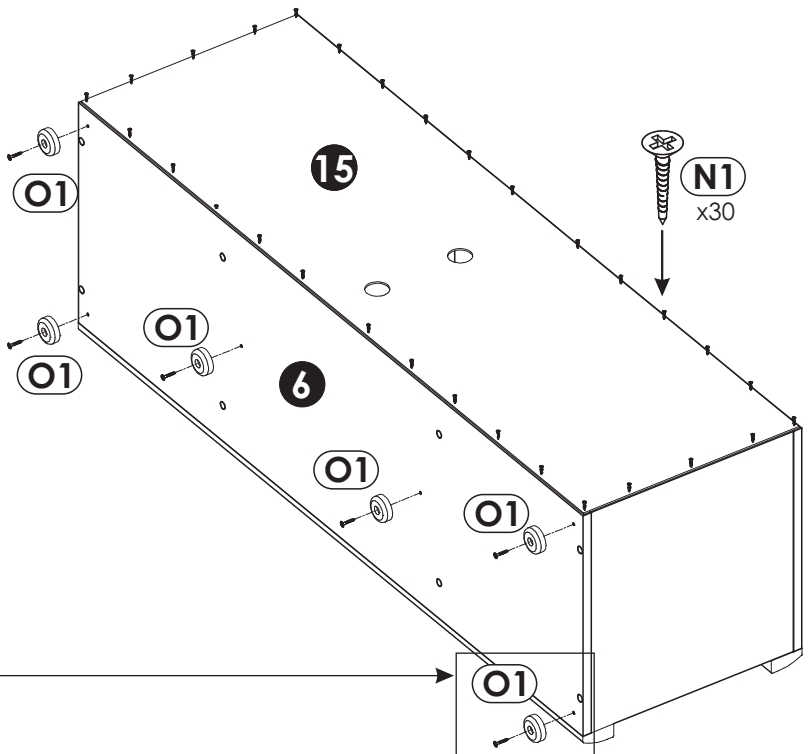
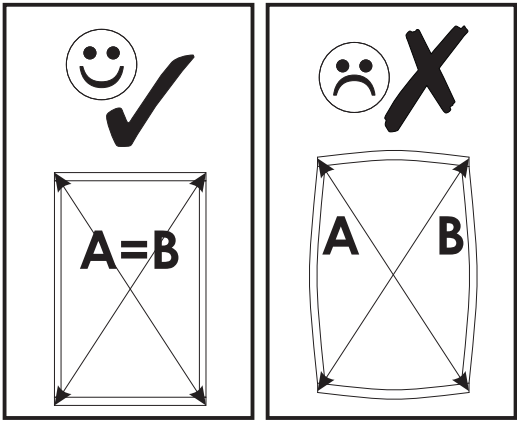
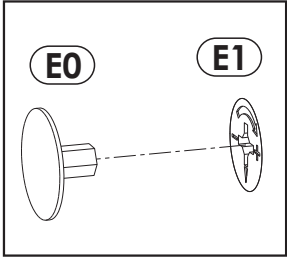
5 ▶



6 ▶



7 ▶



8 ▶

