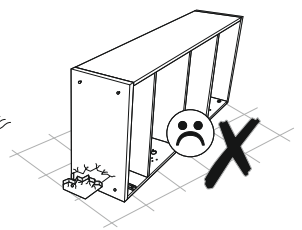
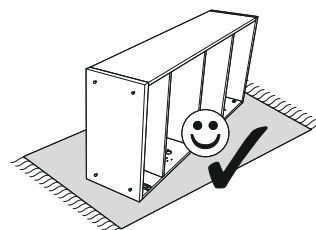
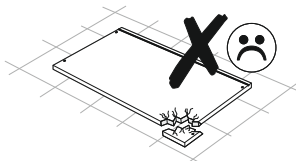
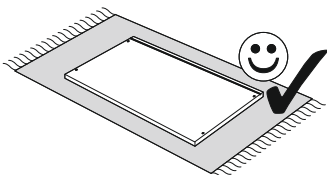
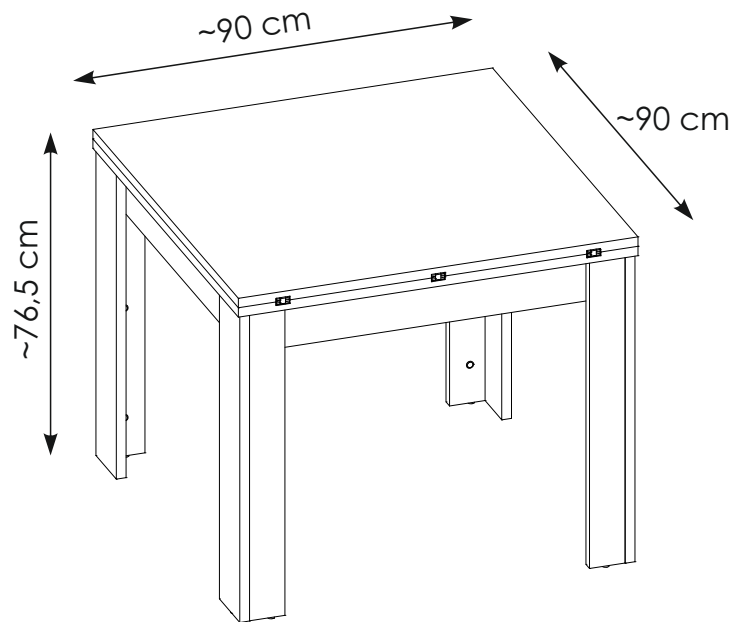
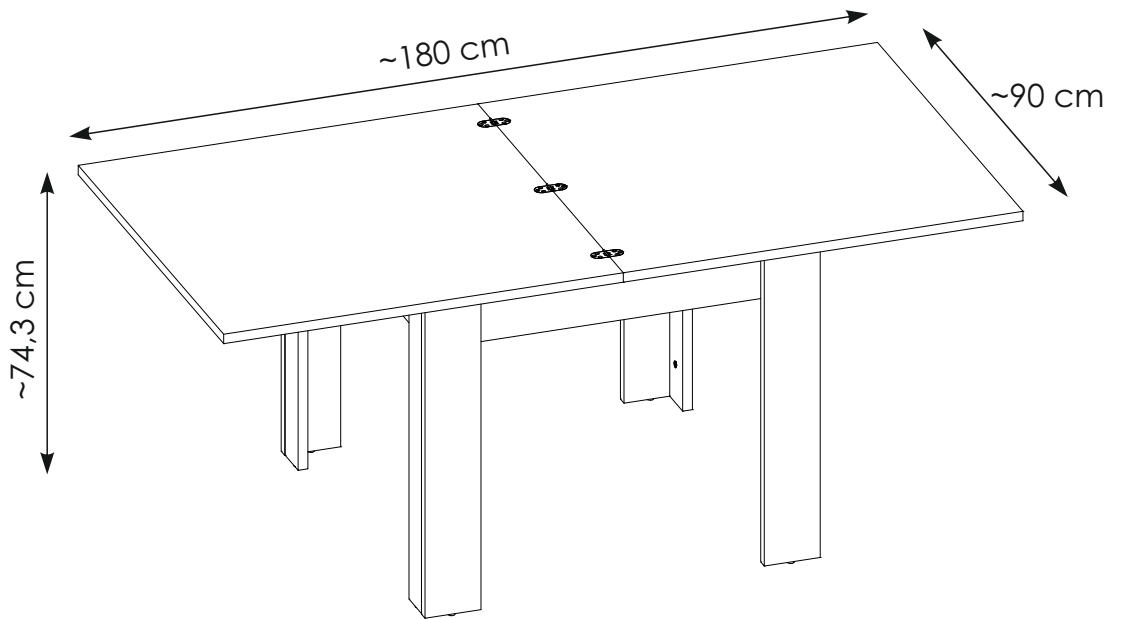
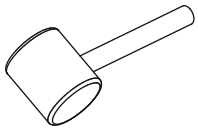
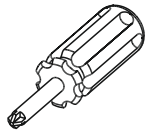
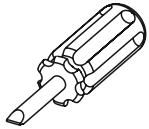
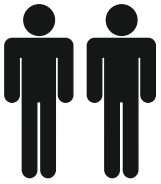
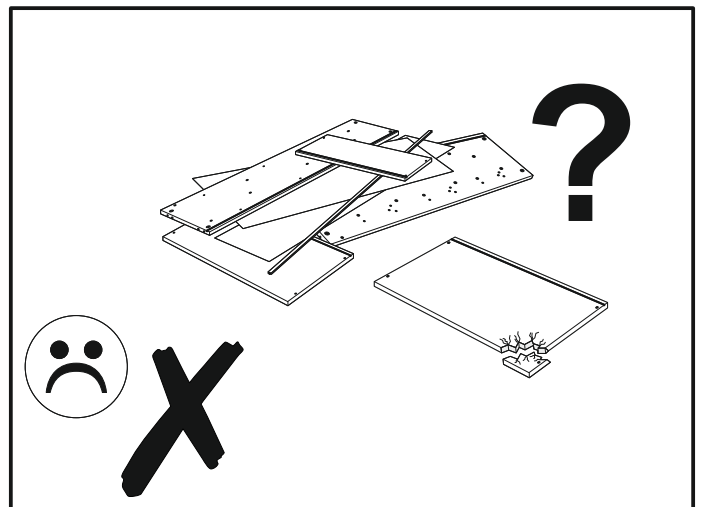
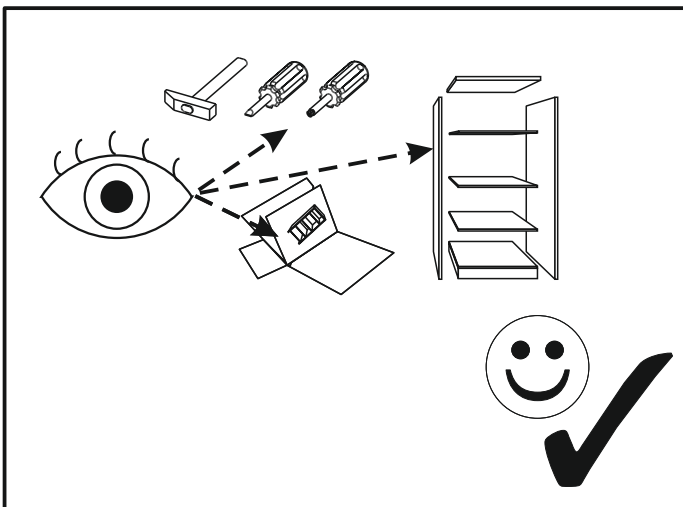
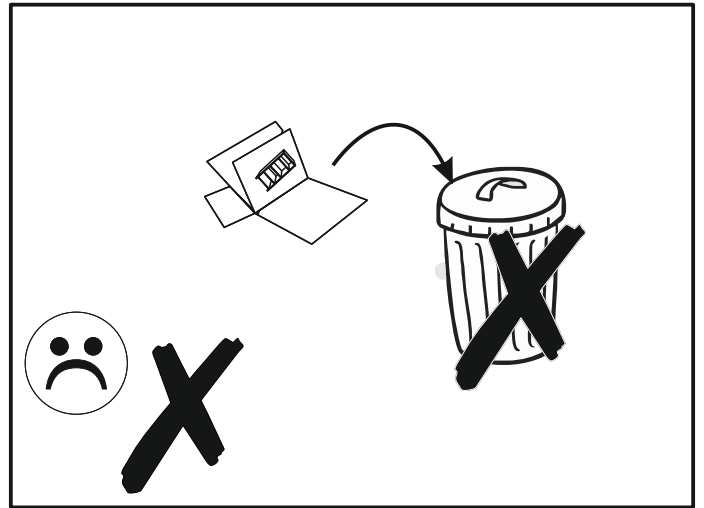
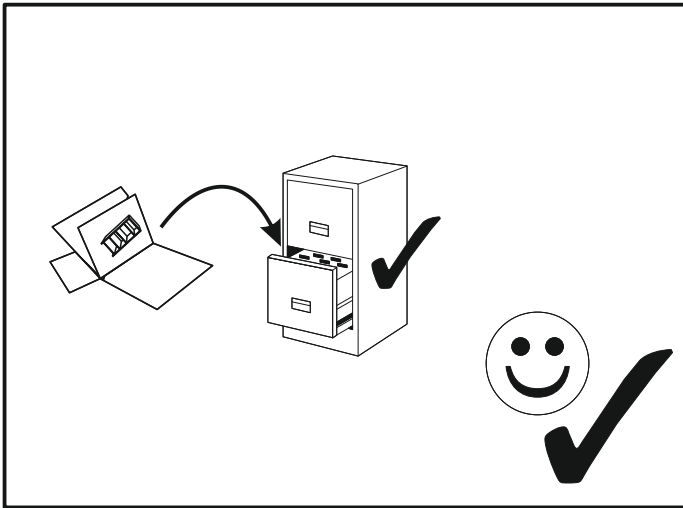
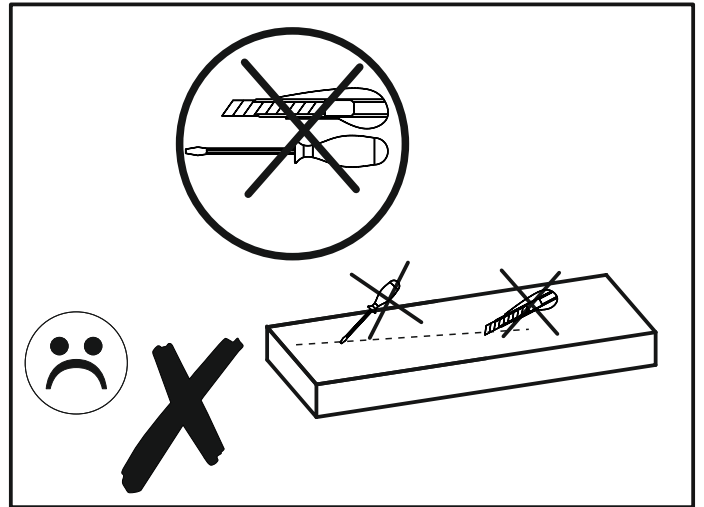
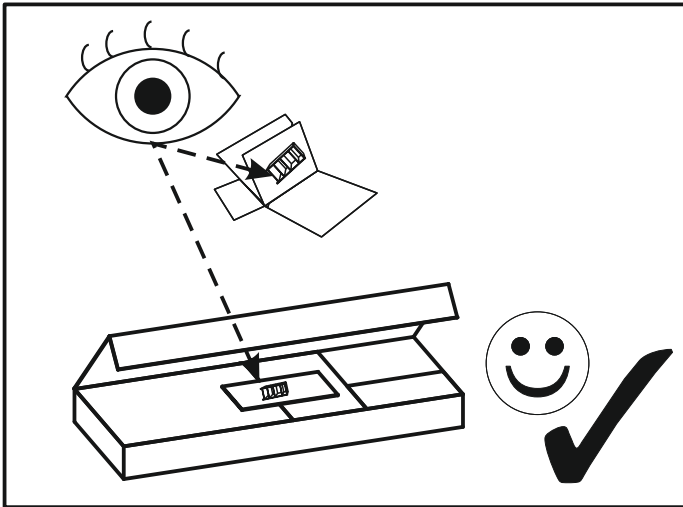


MWST08

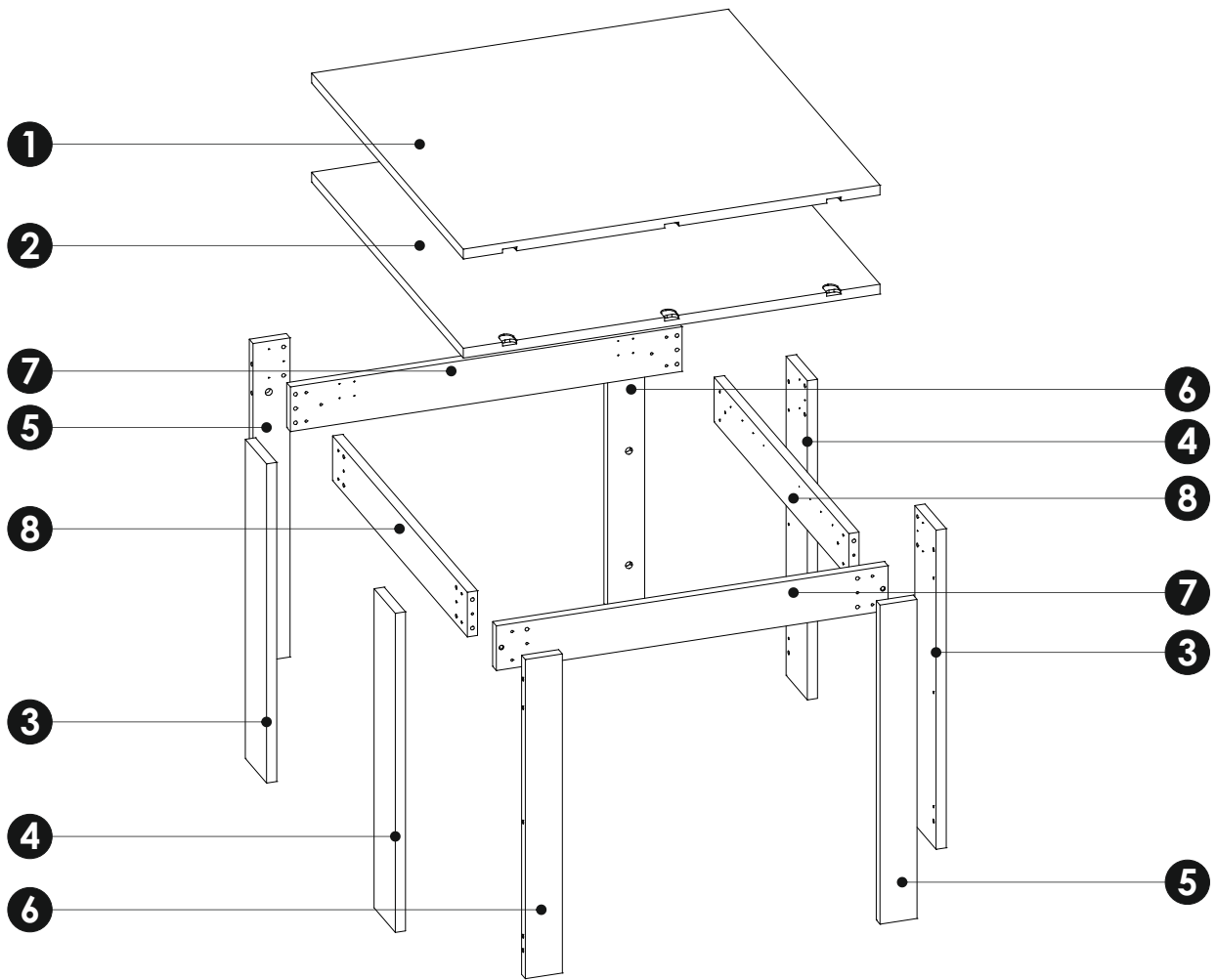
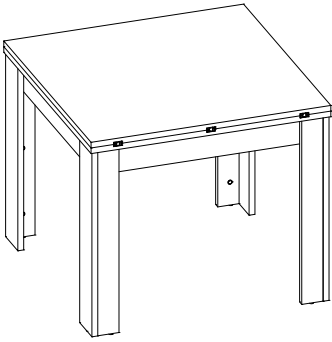


60 min





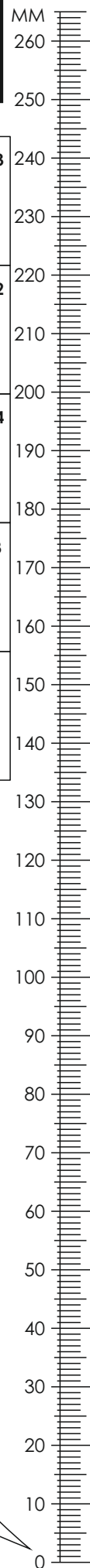
MWST08


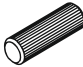
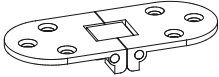


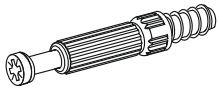


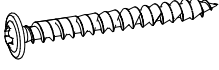
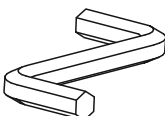
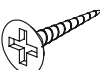
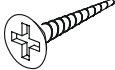
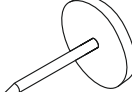
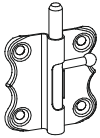
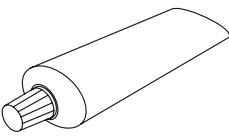
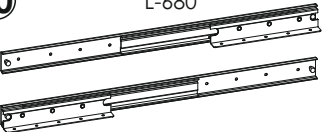


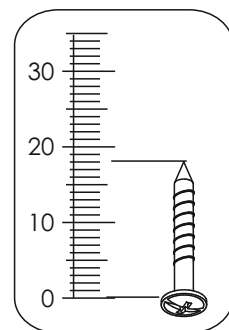
1	900	900	22	x1	2/2
2	900	900	22	x1	2/2
3	715	126	22	x2	1/2
4	715	126	22	x2	1/2

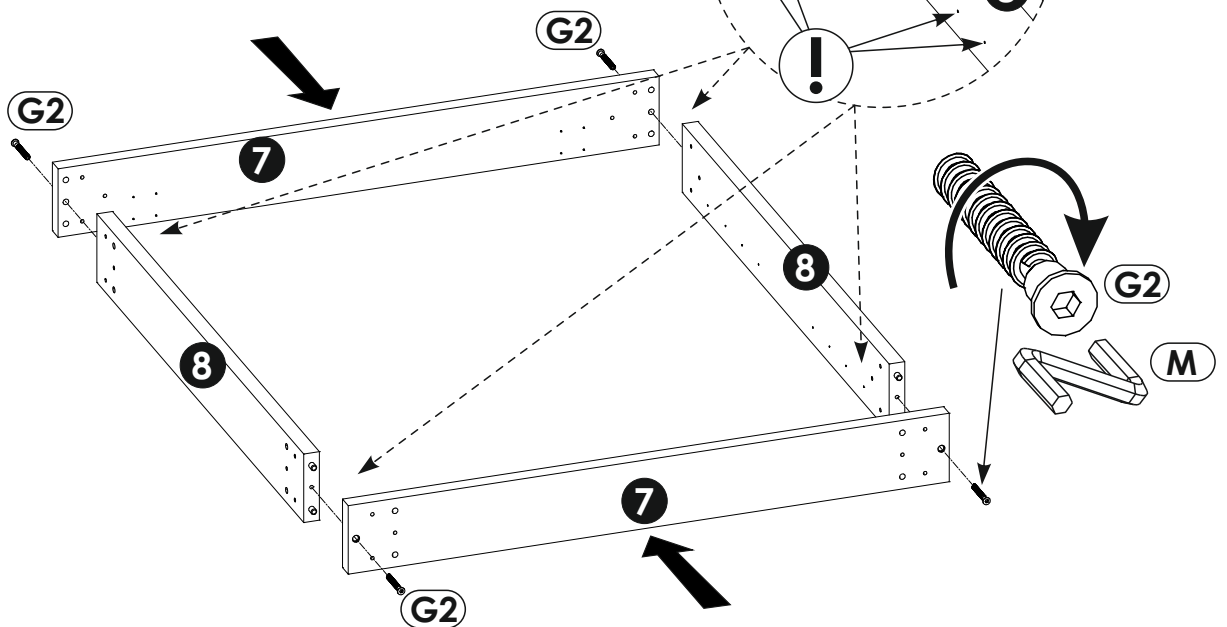
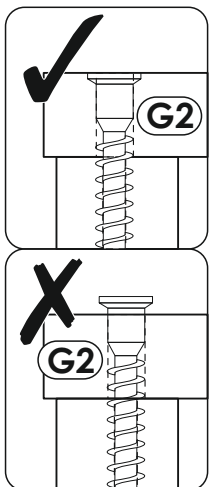
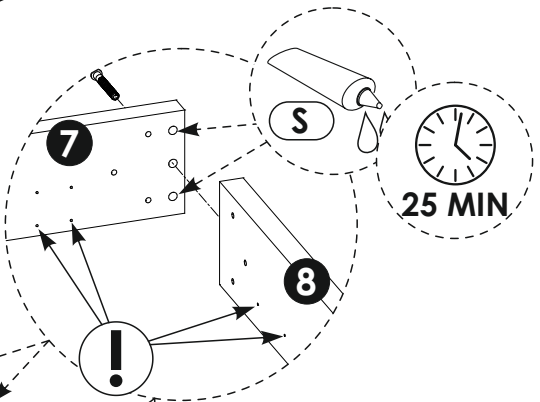
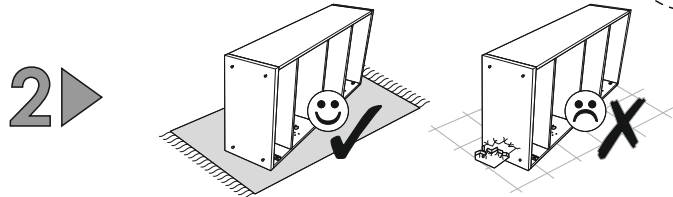
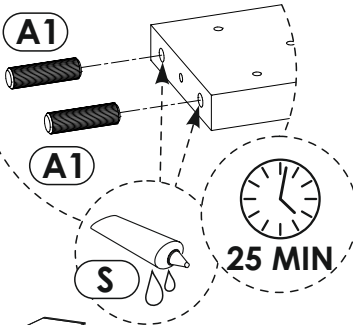
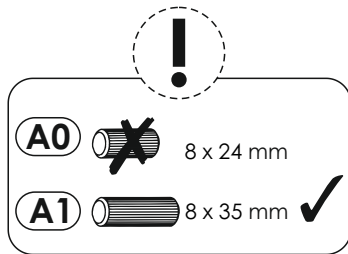
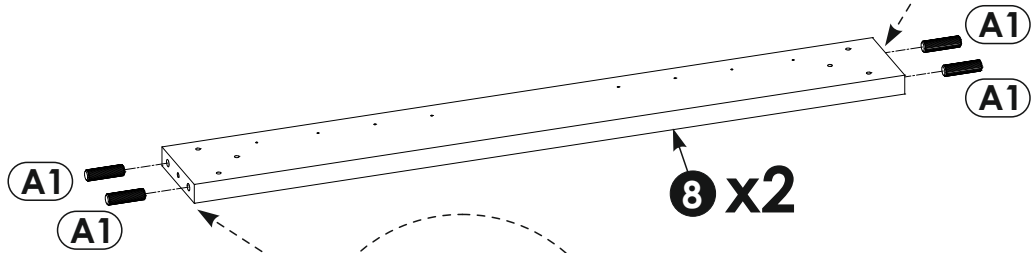
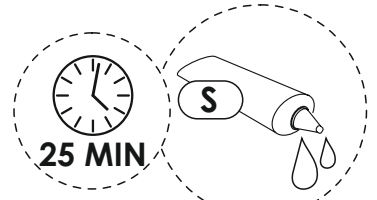
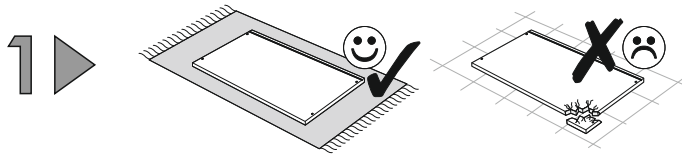
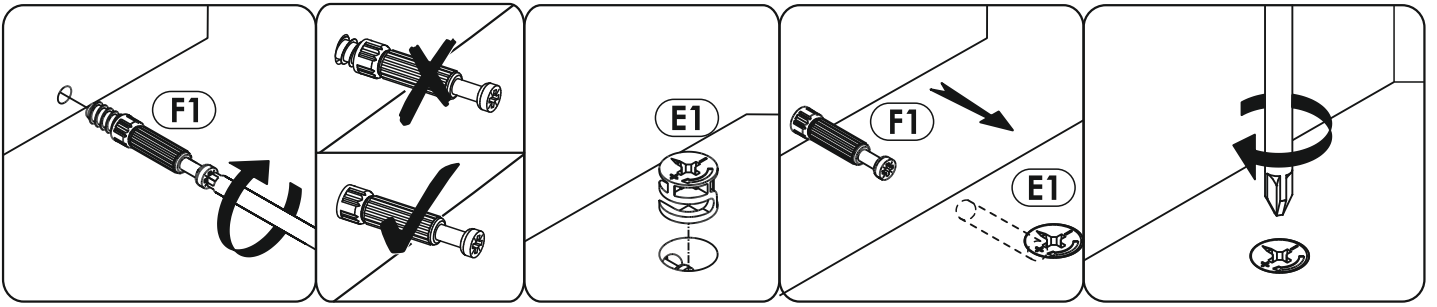
5	715	80	22	x2	1/2
6	715	80	22	x2	1/2
7	846	100	22	x2	1/2
8	800	100	22	x2	1/2

MWST08

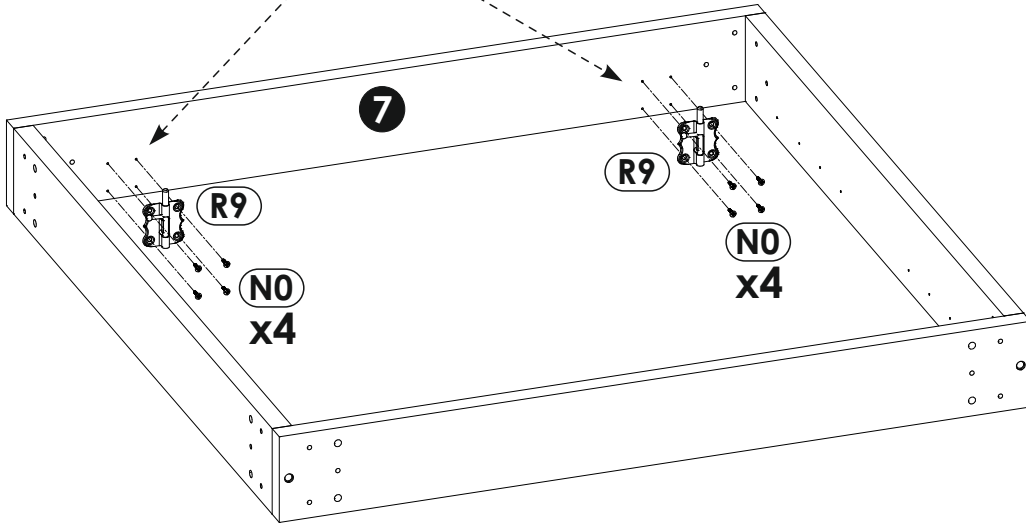
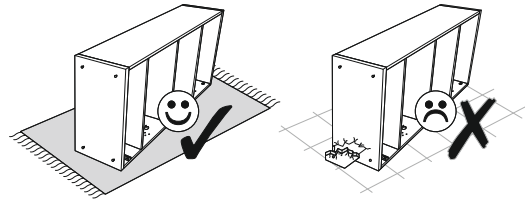
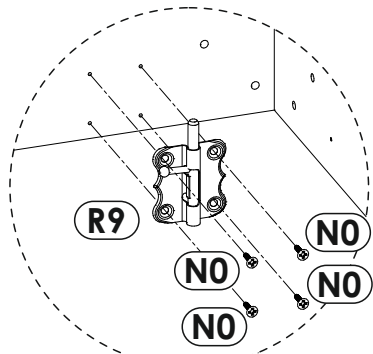


A0 8 x 24 mm x16 	A1 8 x 35 mm x16 	BK x3 
E1 15 x 12 mm x12 	E0 x12 	F1 6 x 34 mm x12 
G2 7 x 60 mm x4 	I2 4 x 16 mm x26 	I15 4 x 40 mm x24 
M x1 	N0 3,5 X 13 mm x8 	N2 3,5 X 16 mm x18 
O2 x8 	R9 x2 	S x1 
T10 L-680 x1 		

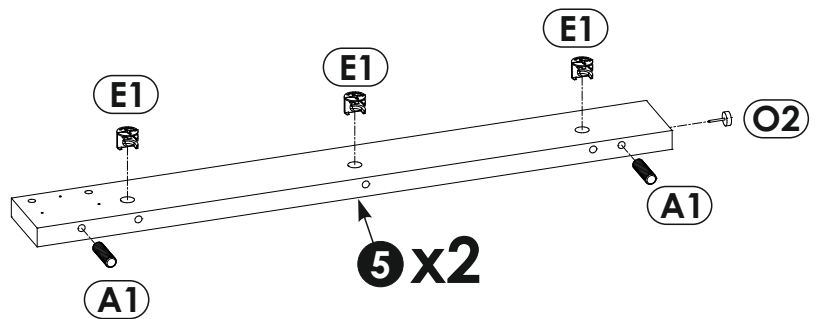
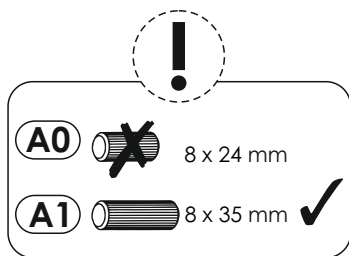
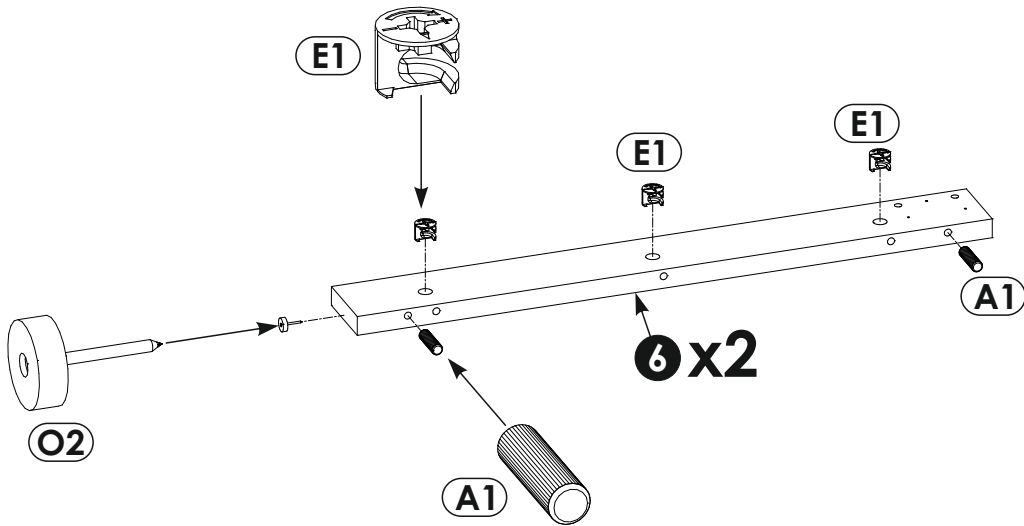
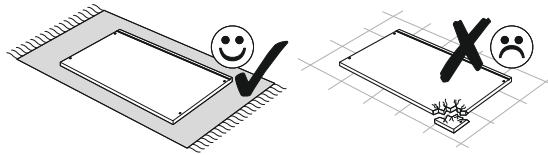




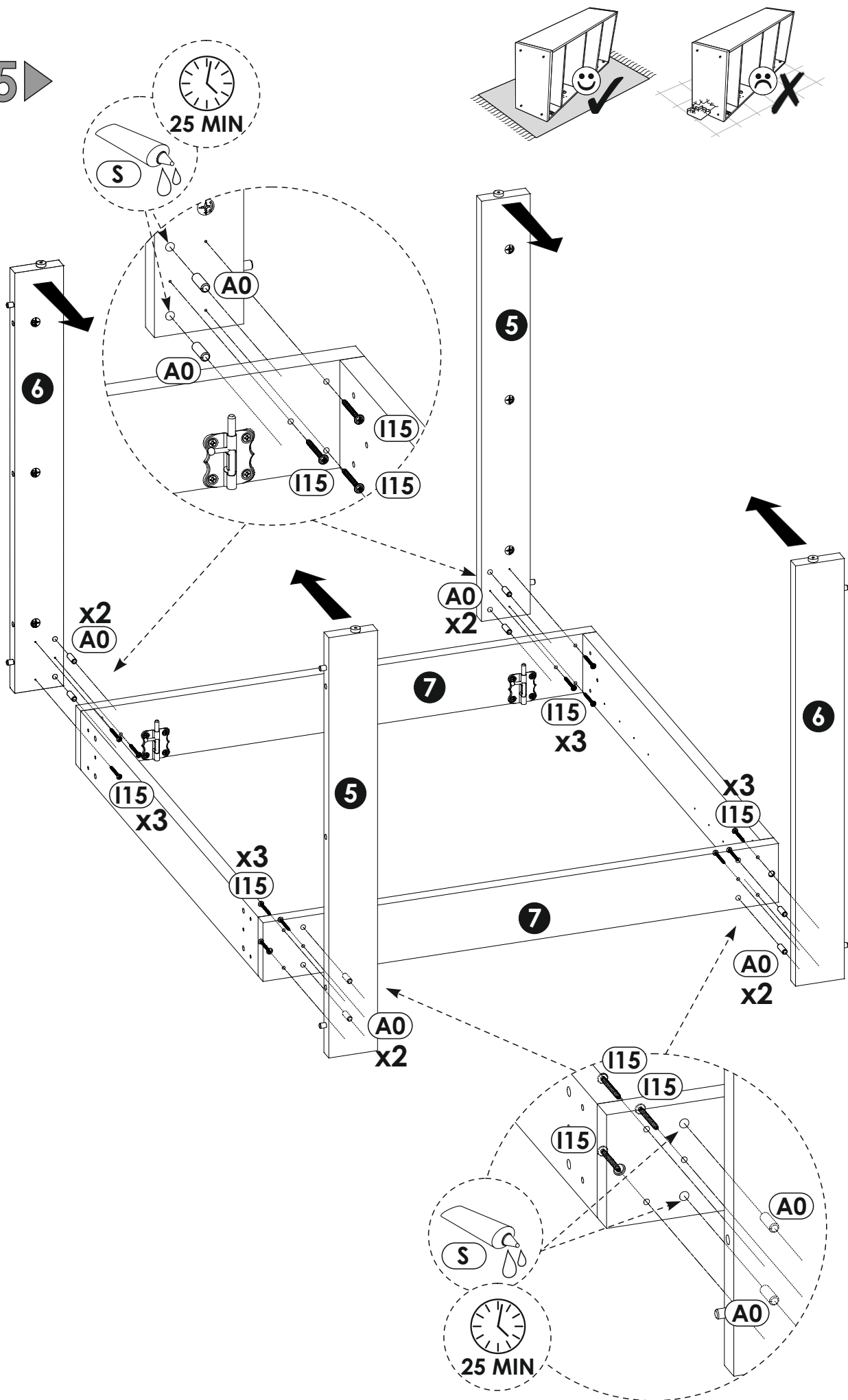
3 ▶

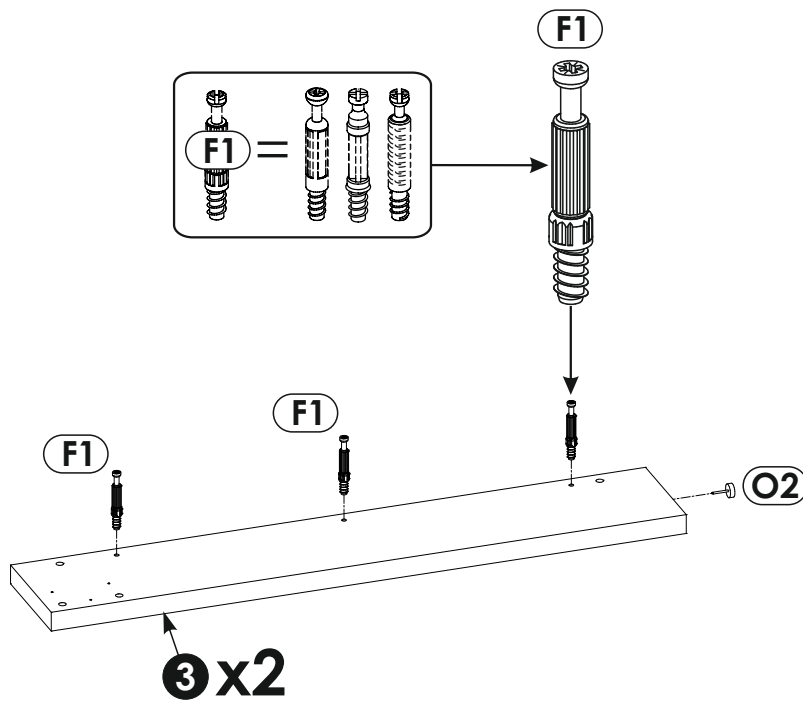
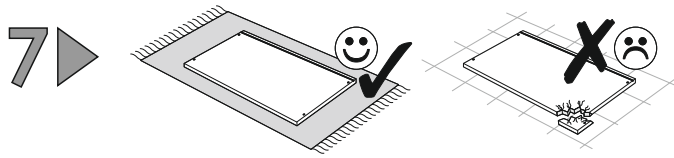
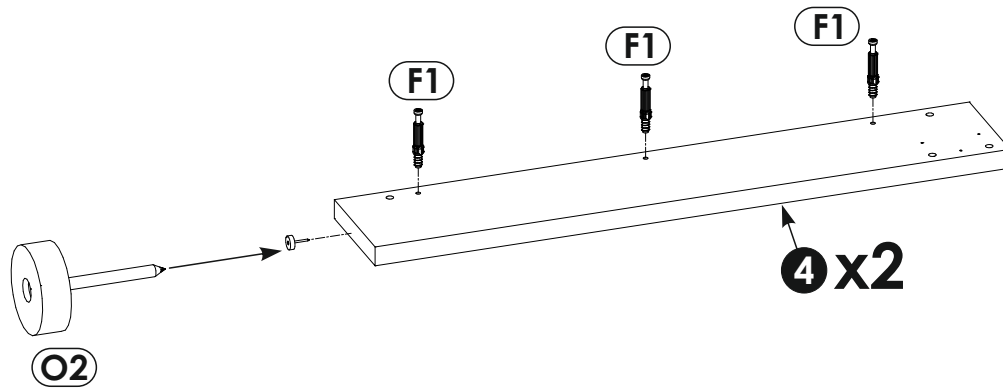
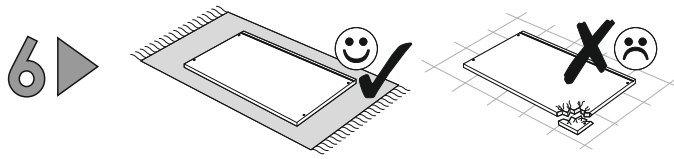


4 ▶

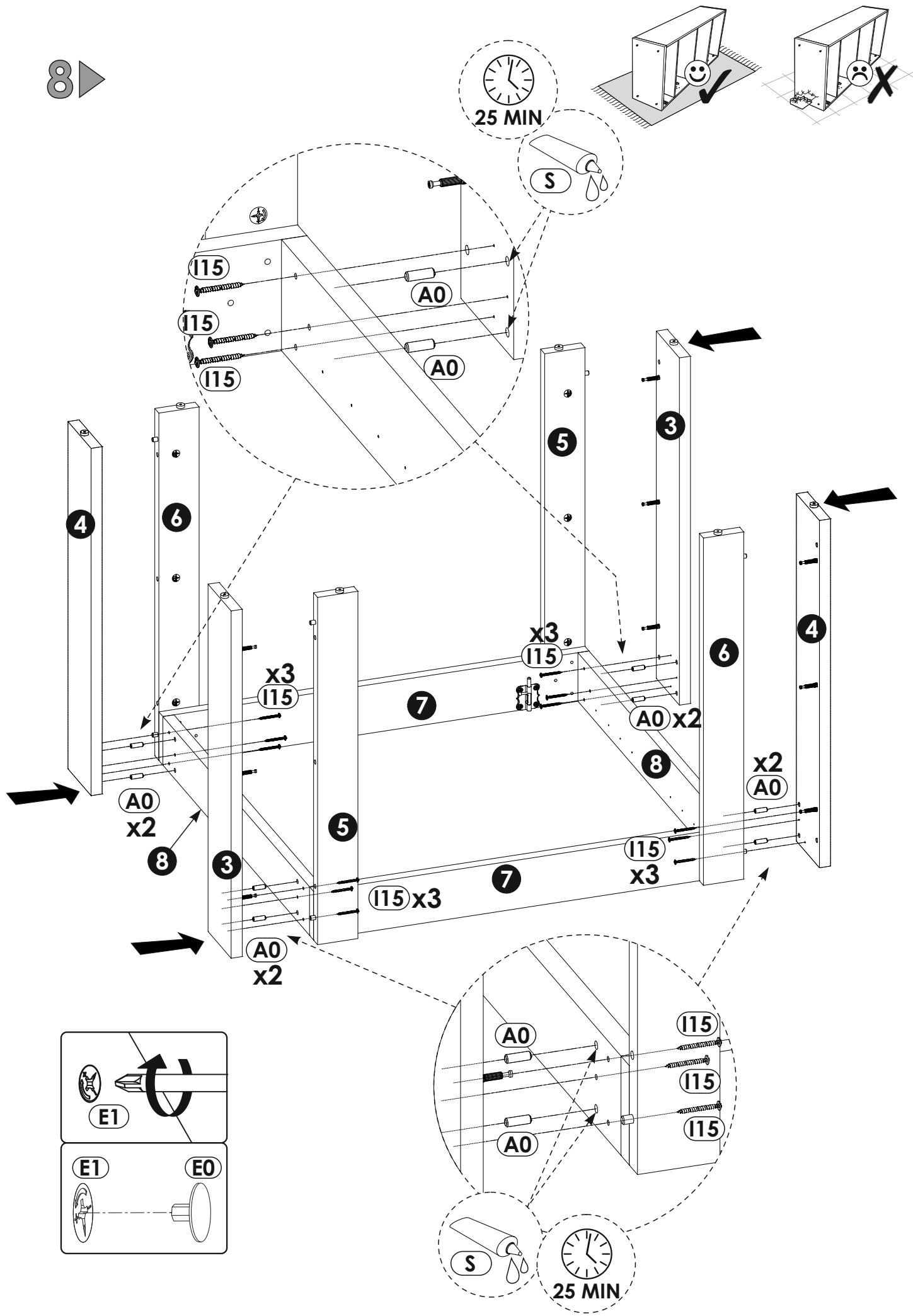


5 ▶

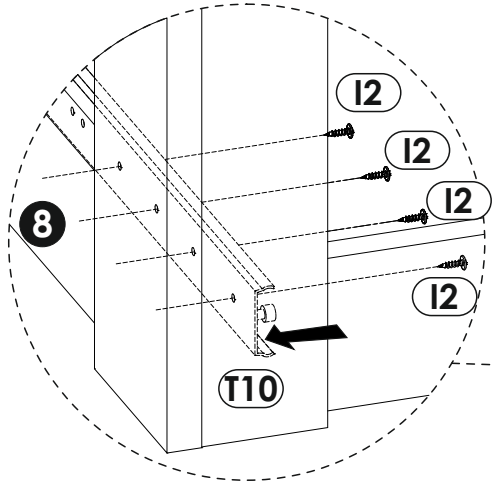
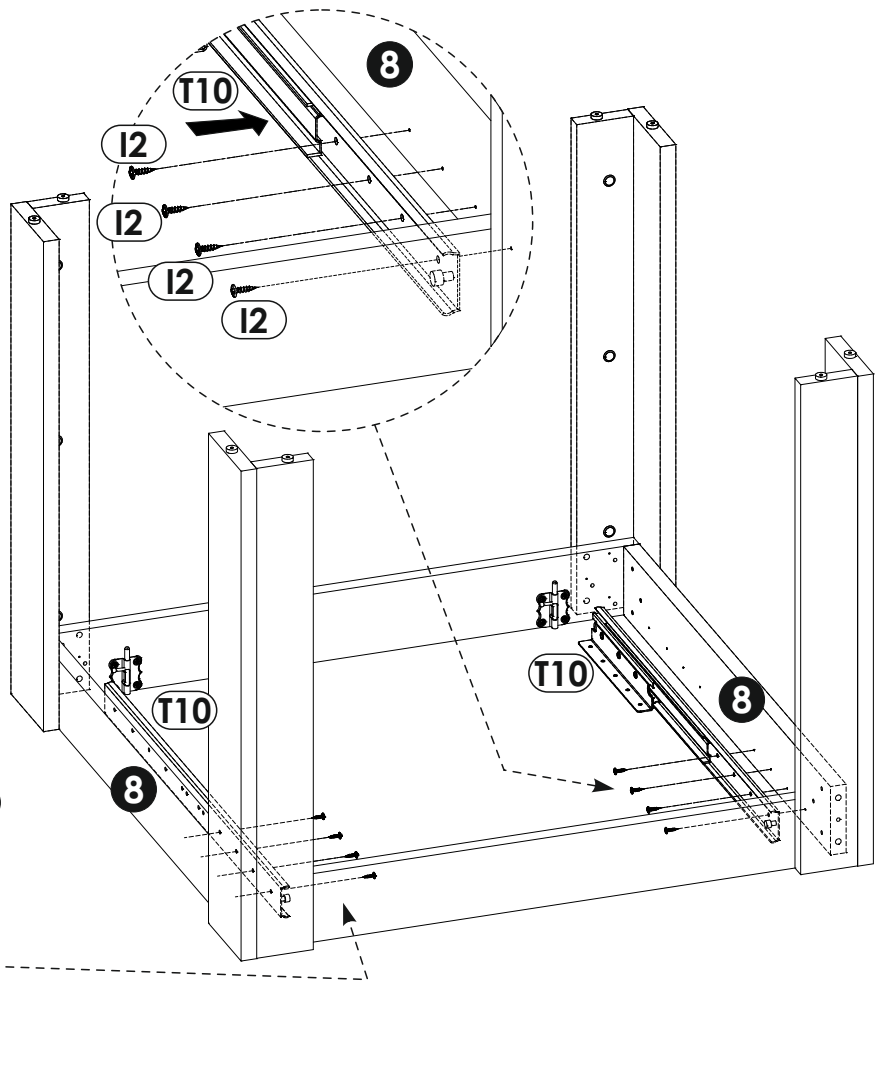
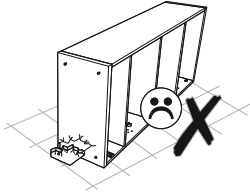
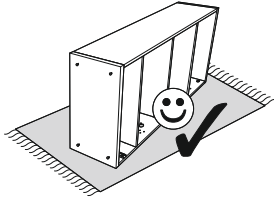




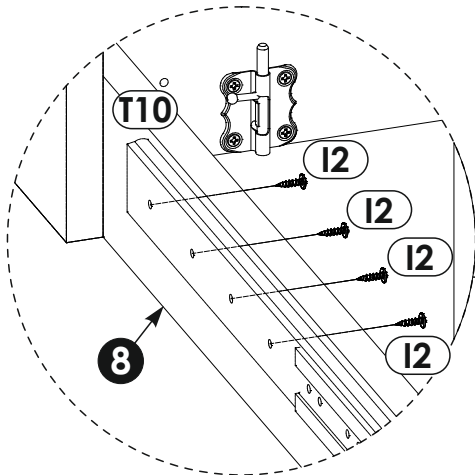
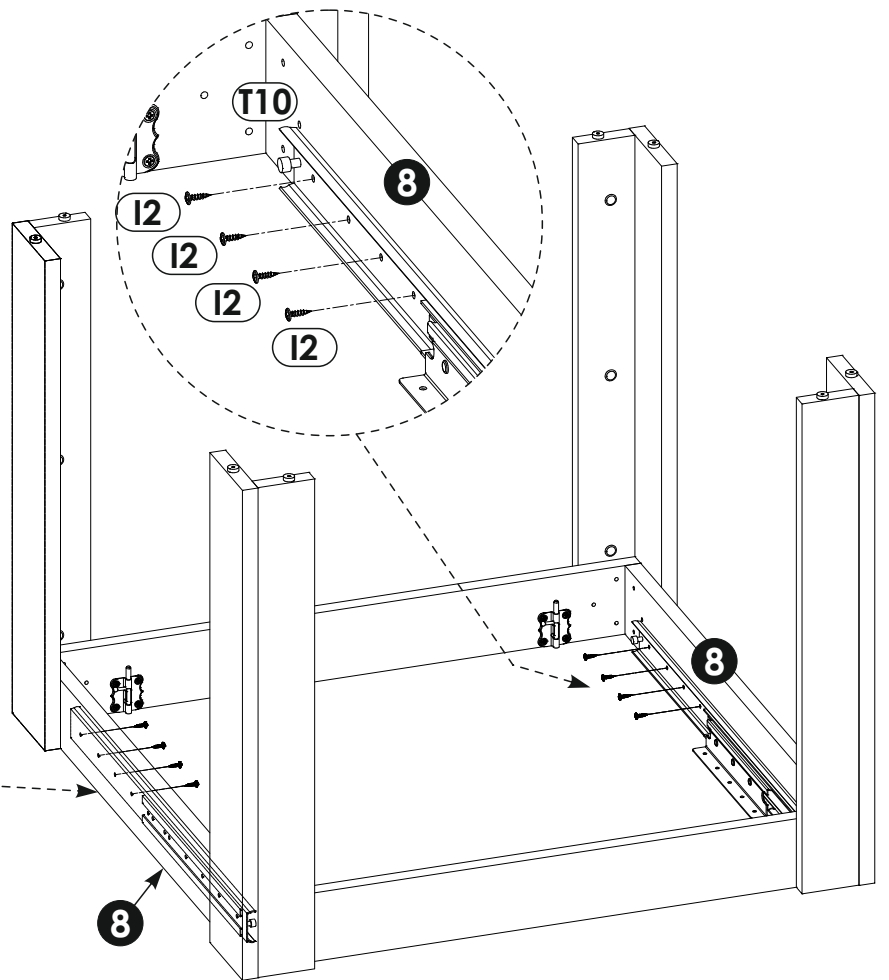
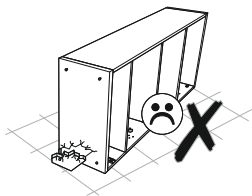
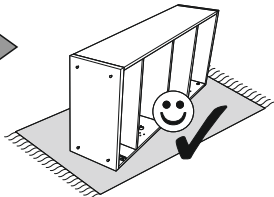
8 ▶



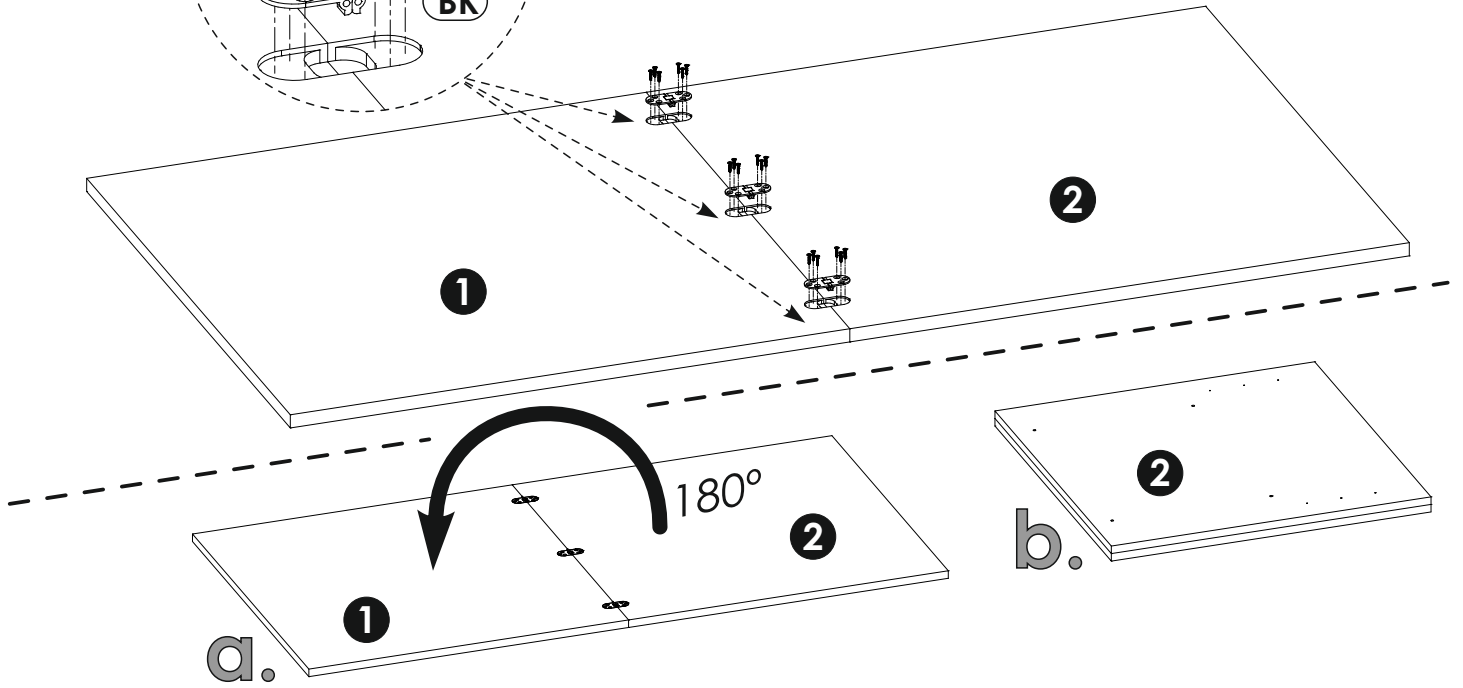
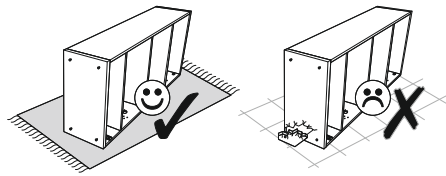
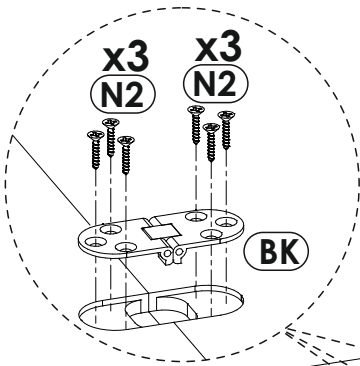
9 ▶



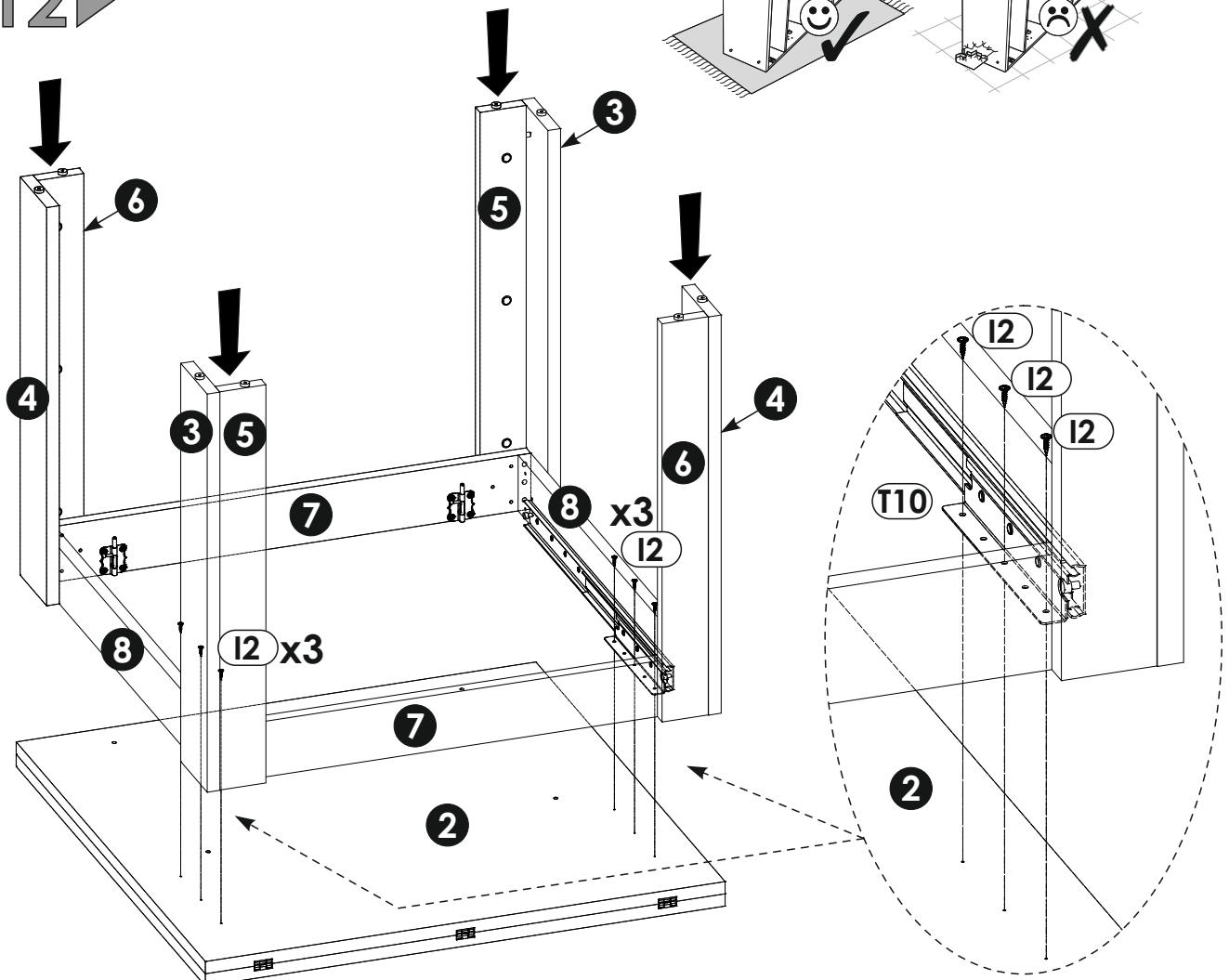
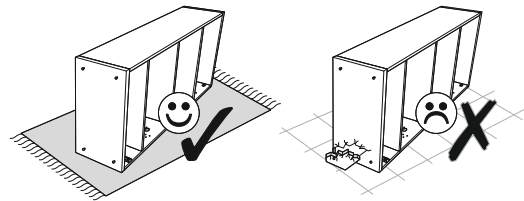
10 ▶



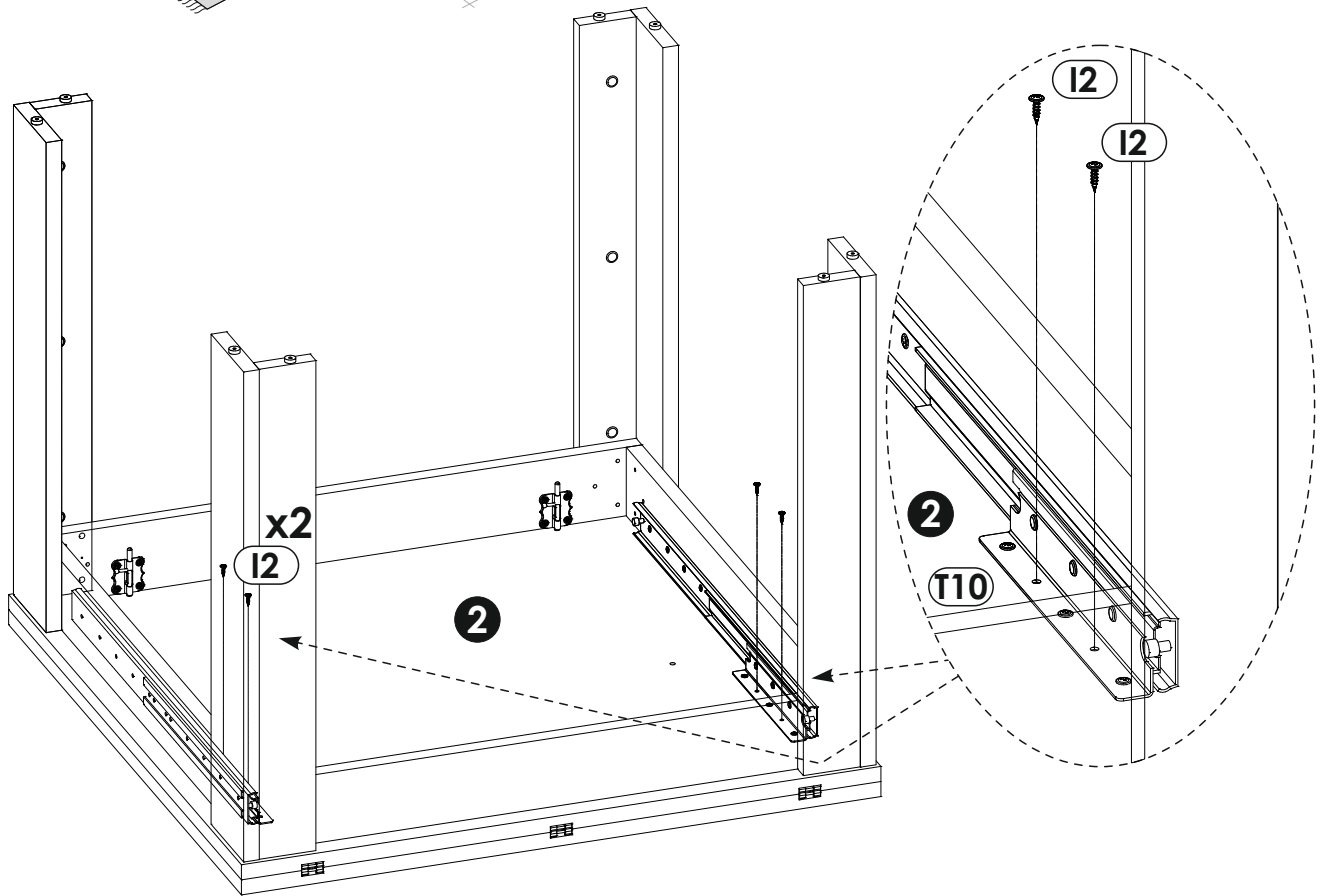
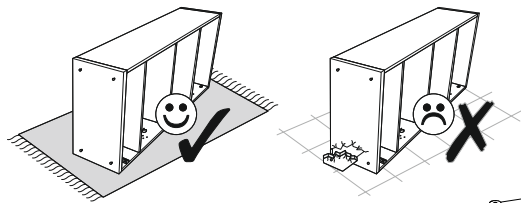
11 ▶



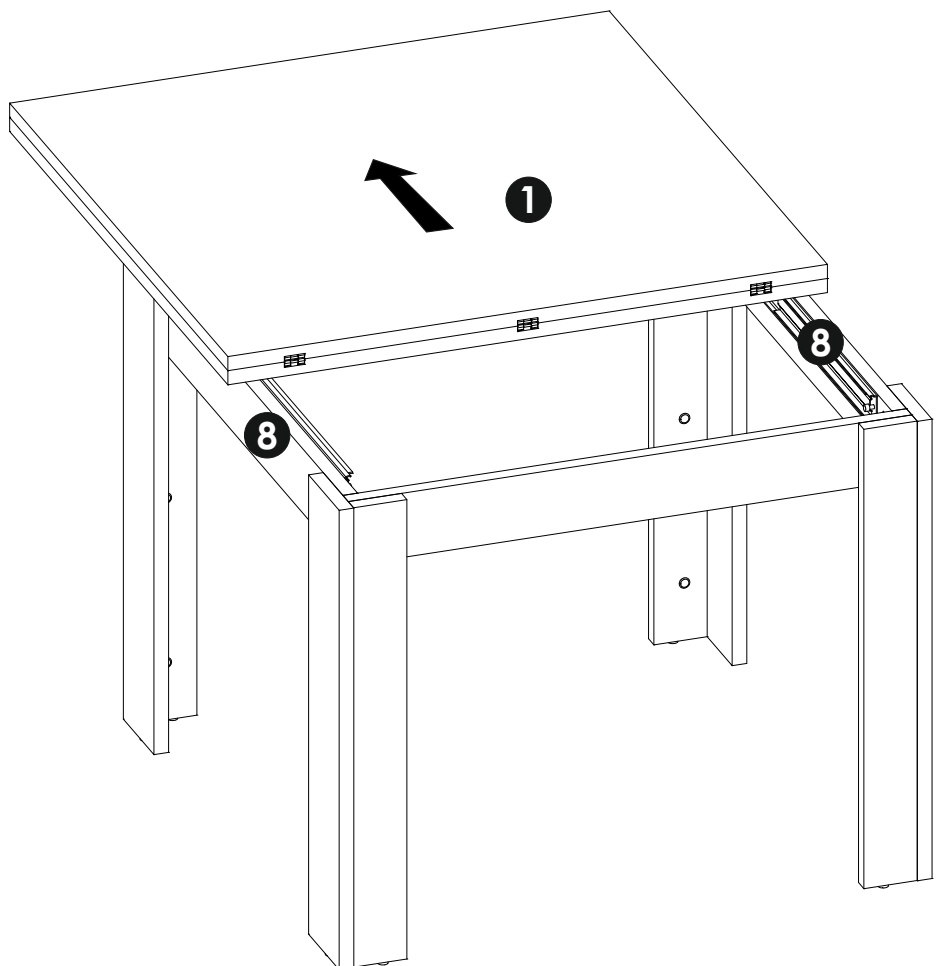
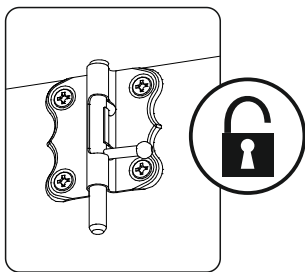
12 ▶



13 ▶



14 ▶



15▶

