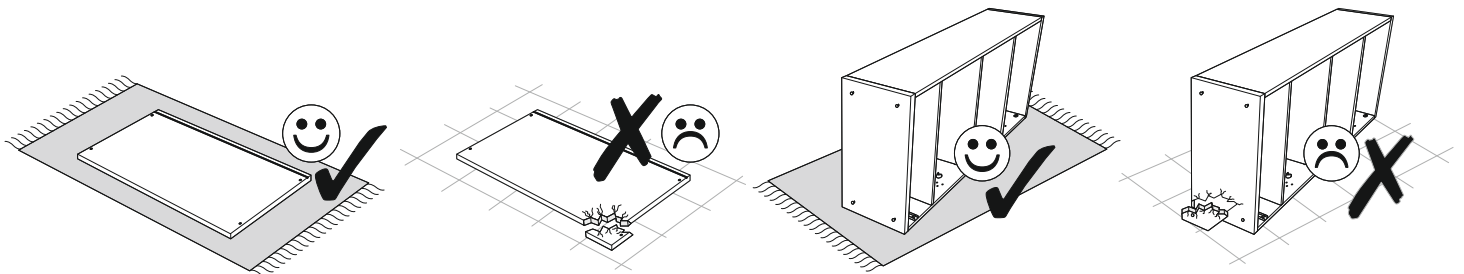
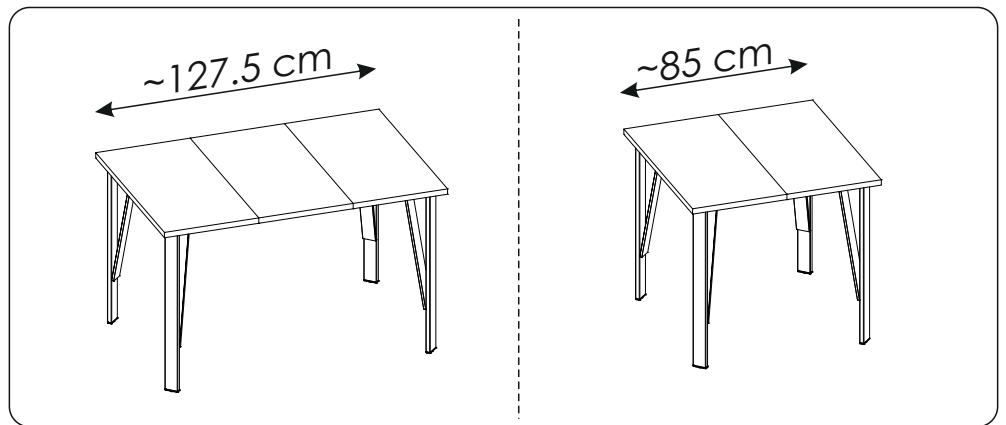
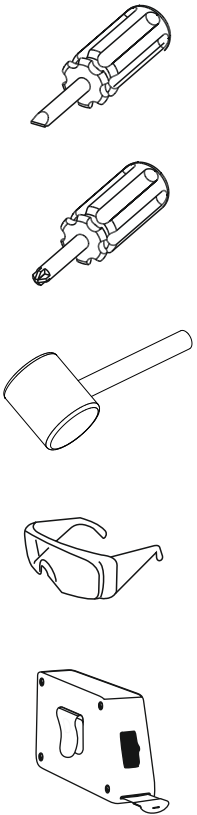
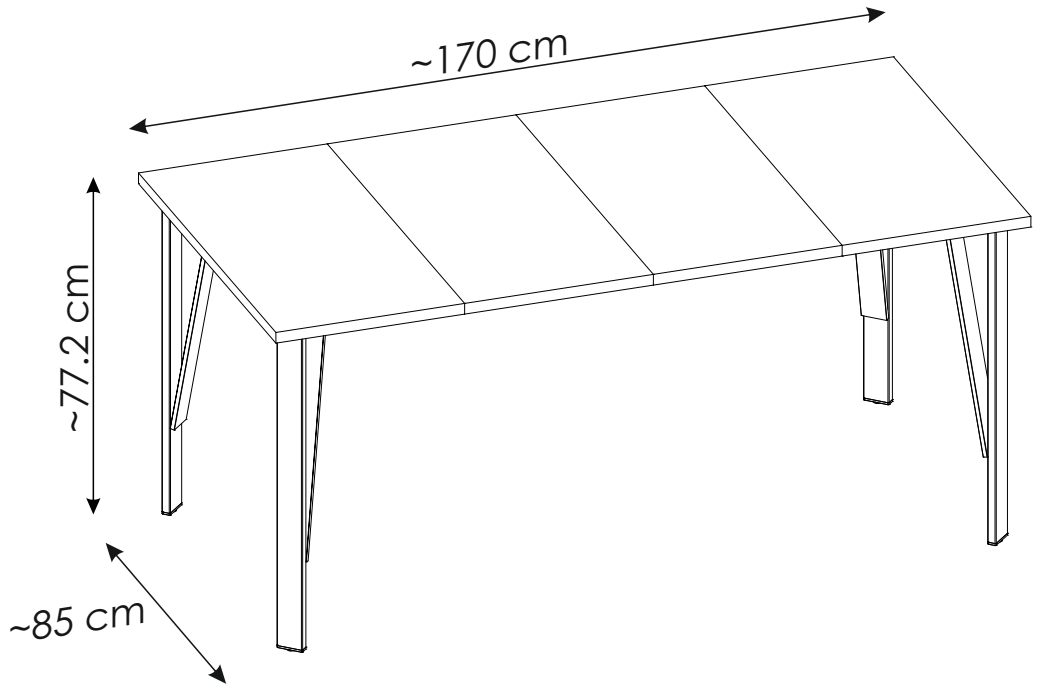
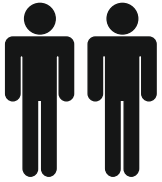
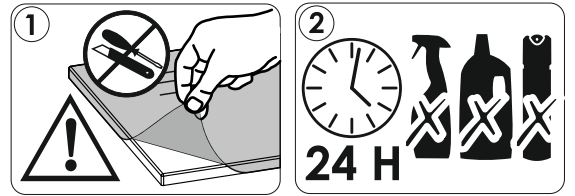
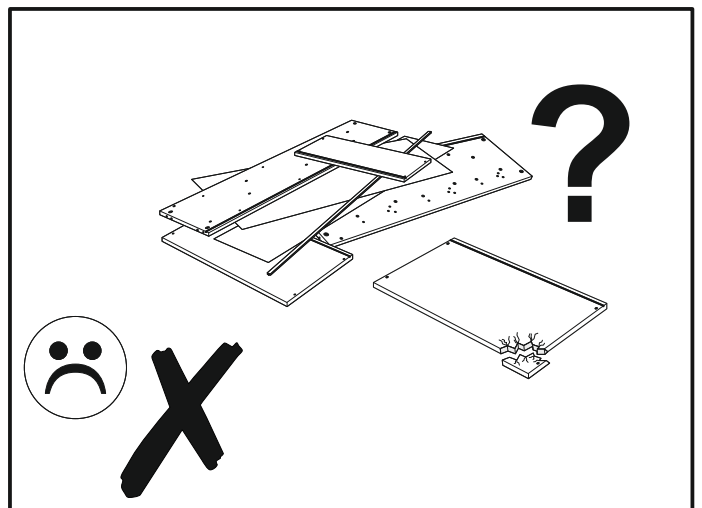
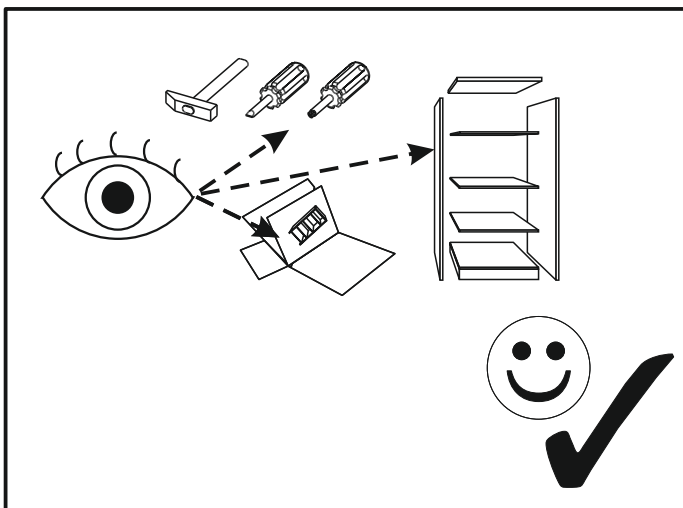
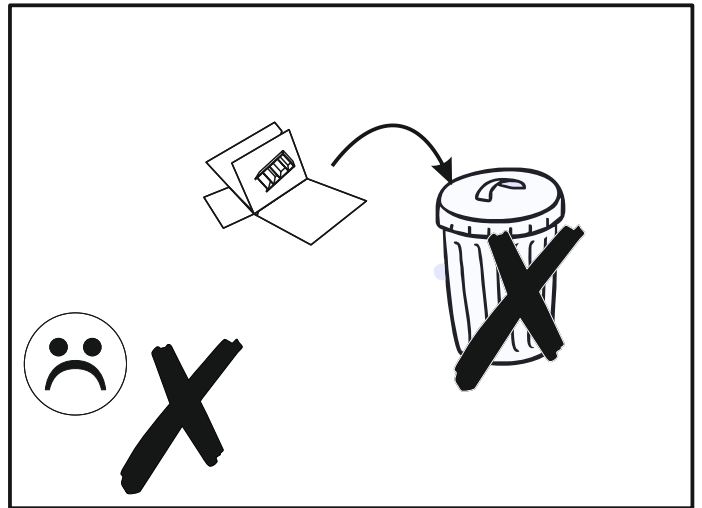
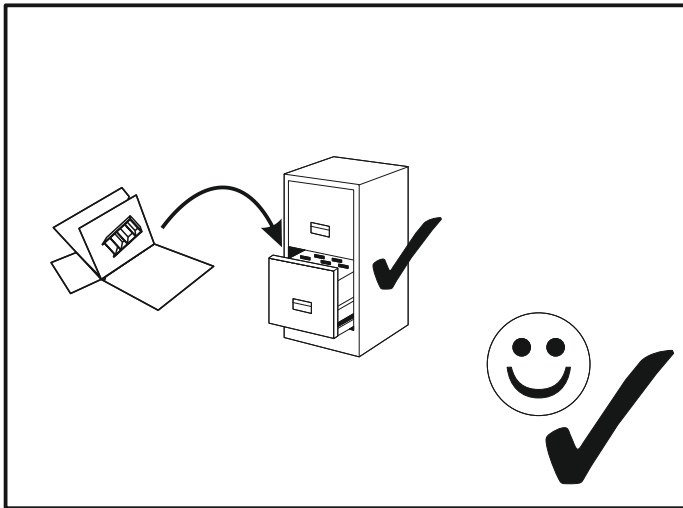
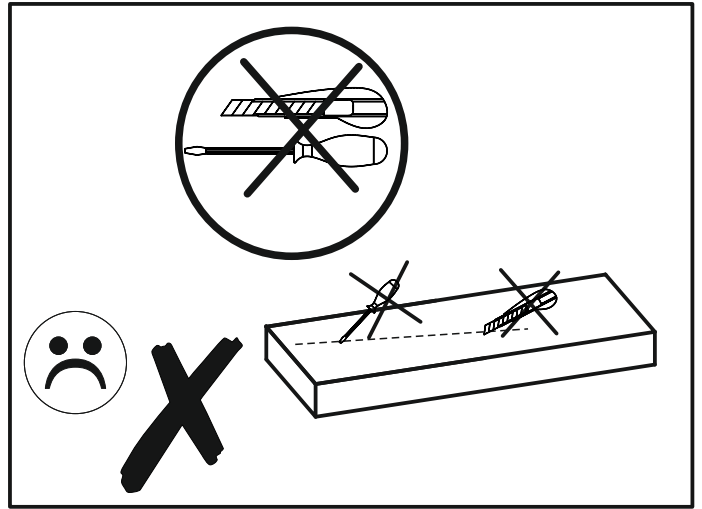
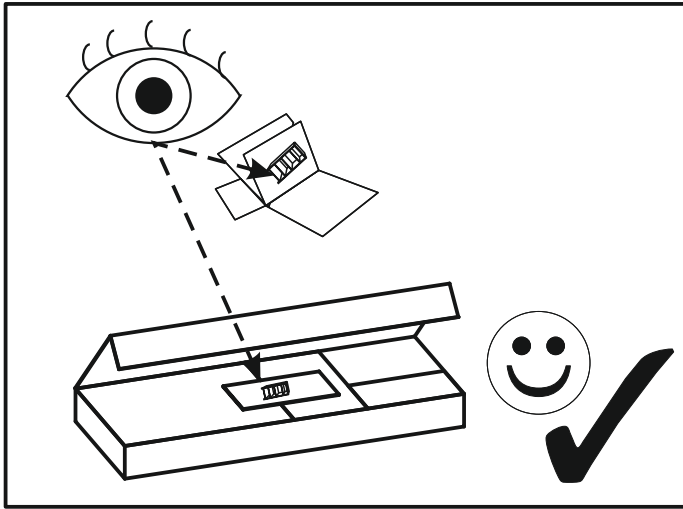


MWST05

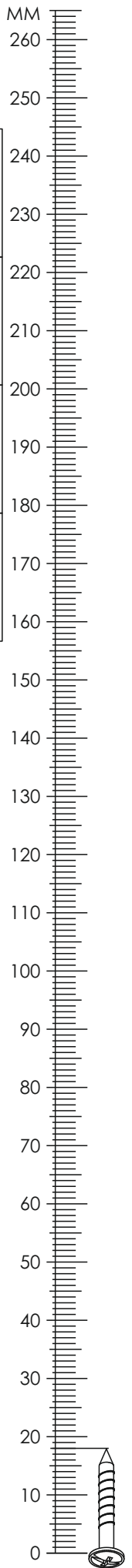


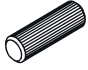
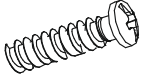


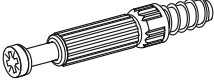

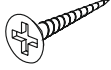

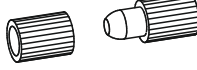
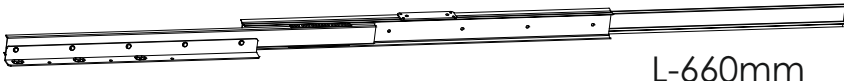
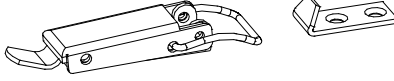
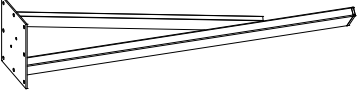
35 MIN



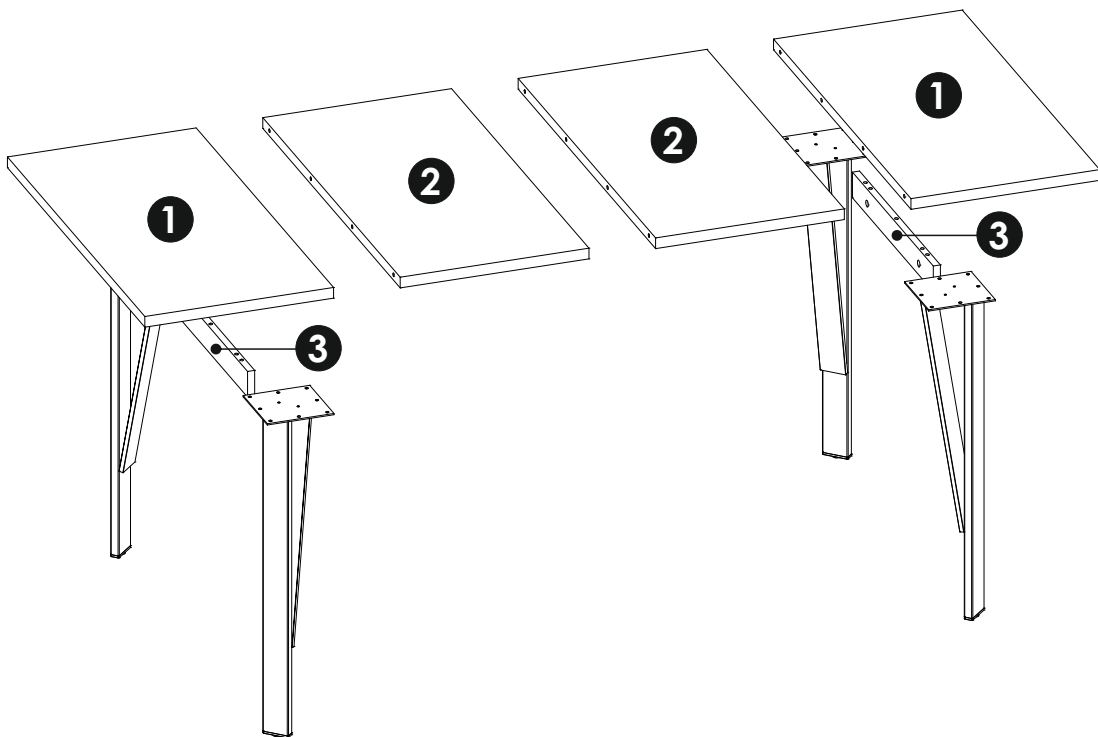
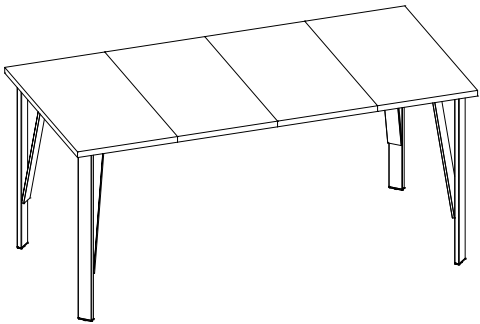


MWST05

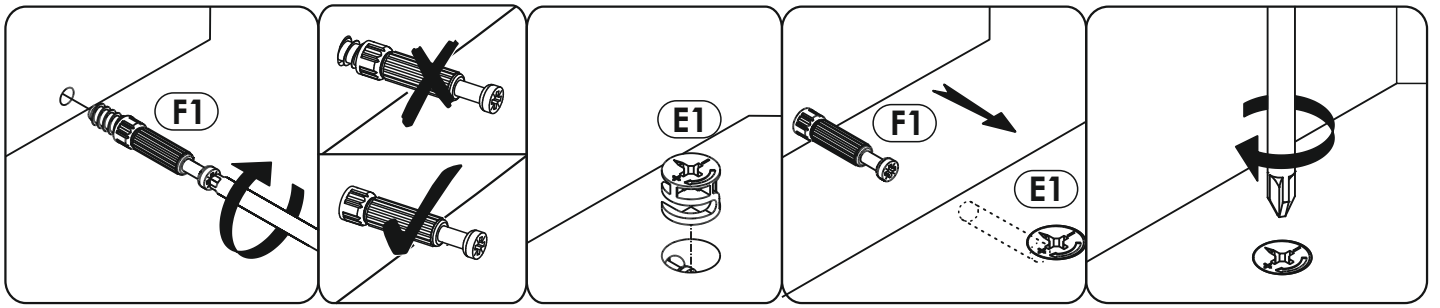


A1 8 x 35 mm x6 	C9 6.3 x 24 mm x32 	E0 x4 
E1 15 x 12 mm x4 	F1 6 x 34 mm x4 	I8 4 x 20 mm x32 
N1 3 X 16 mm x30 	O2A ø20 x12 	R8 x12 
T x2  <p style="text-align: center;">L-660mm</p>		T2 x6 
T3 x4 		

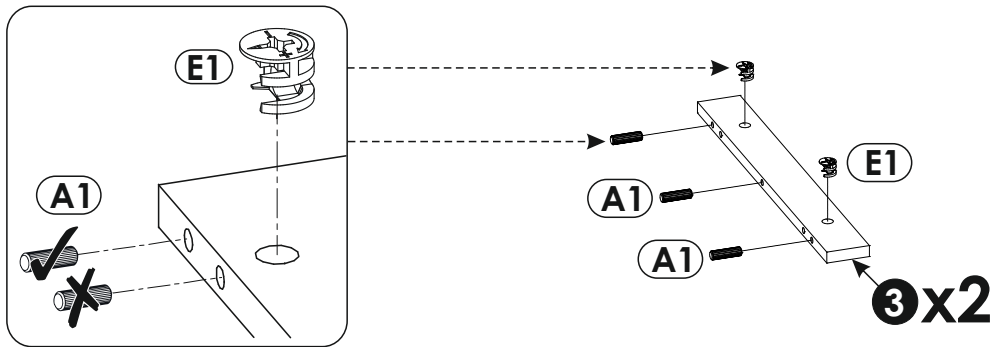
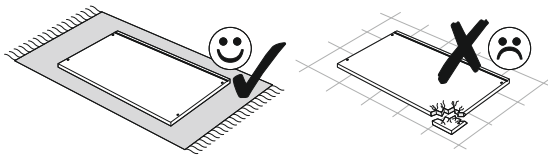
MWST05



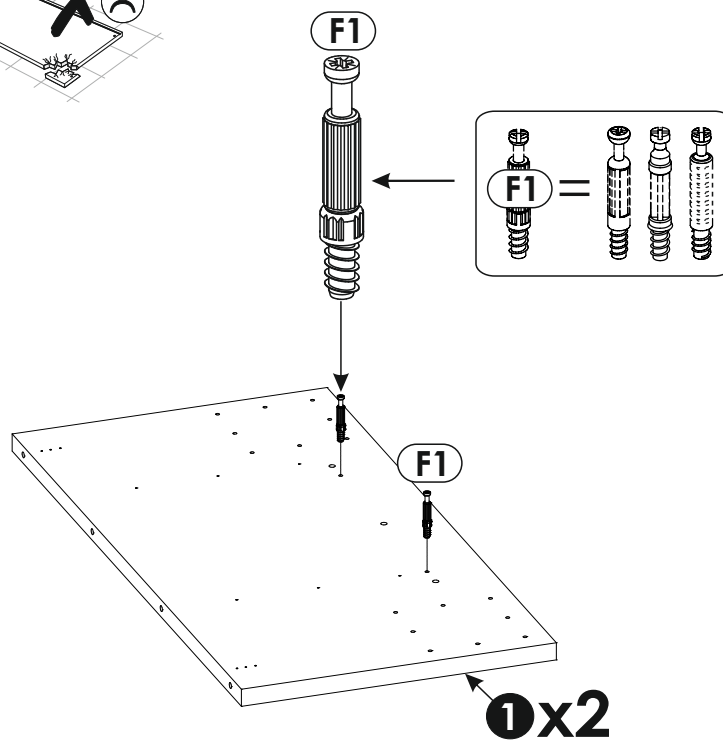
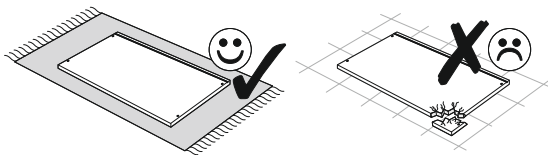
1	850	425	25	x2	1/2
2	850	425	25	x2	1/2
3	500	60	16	x2	1/2

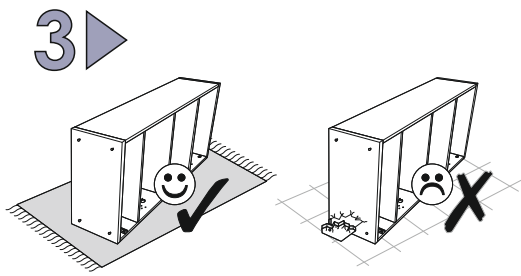


1 ▶

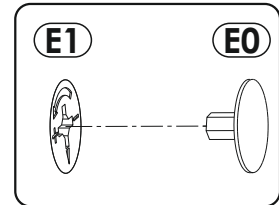
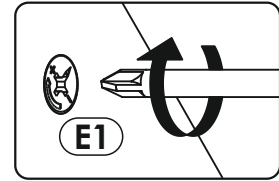
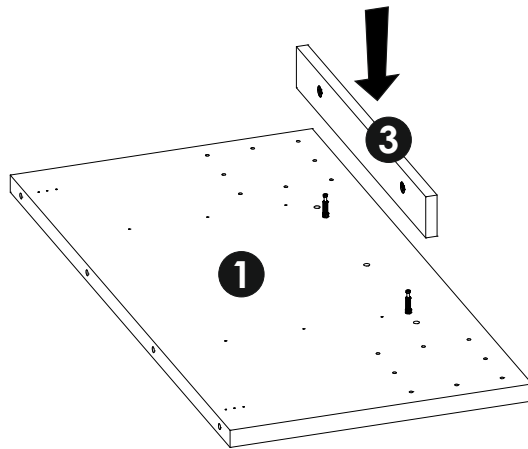


2 ▶

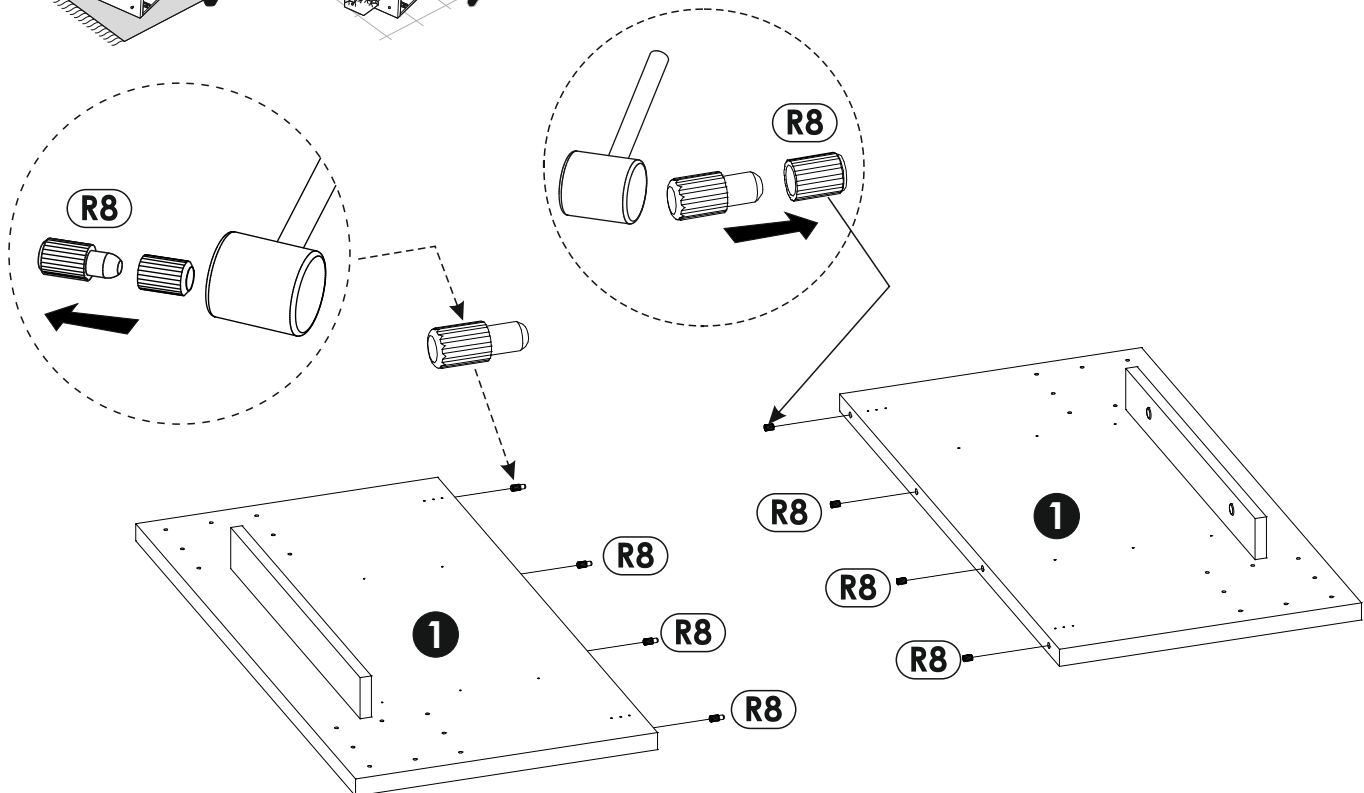
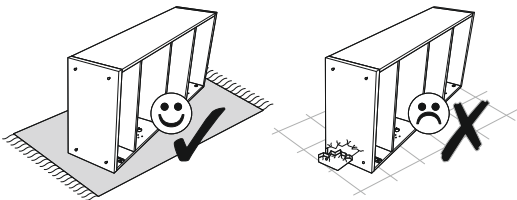




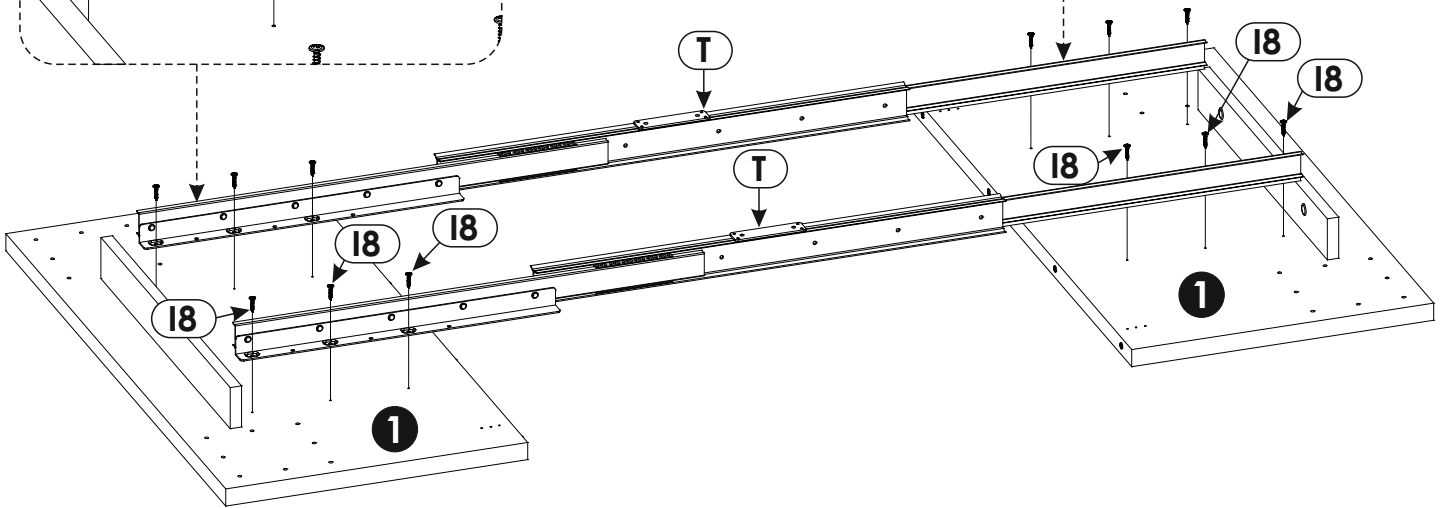
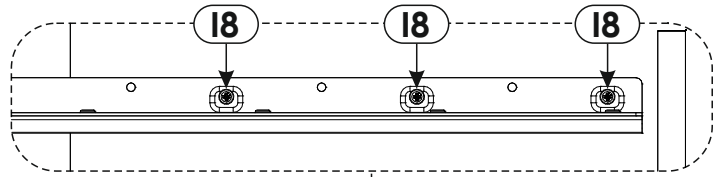
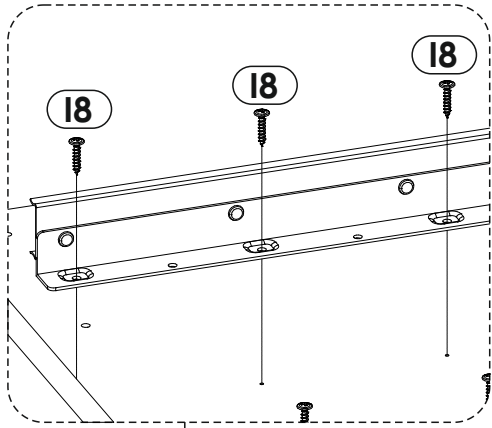
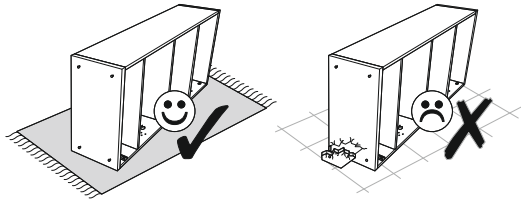
x2



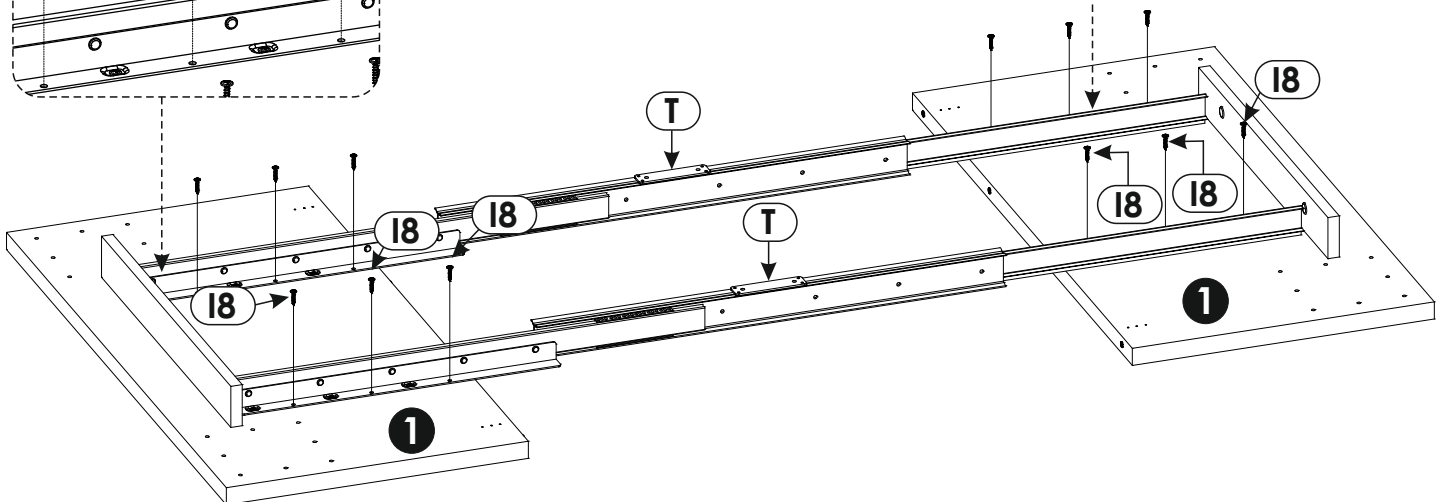
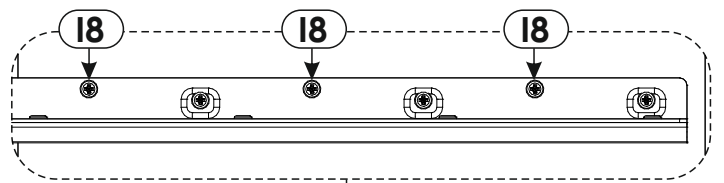
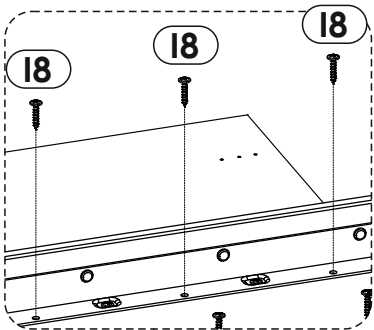
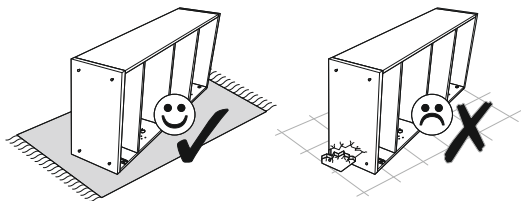
4 ▶



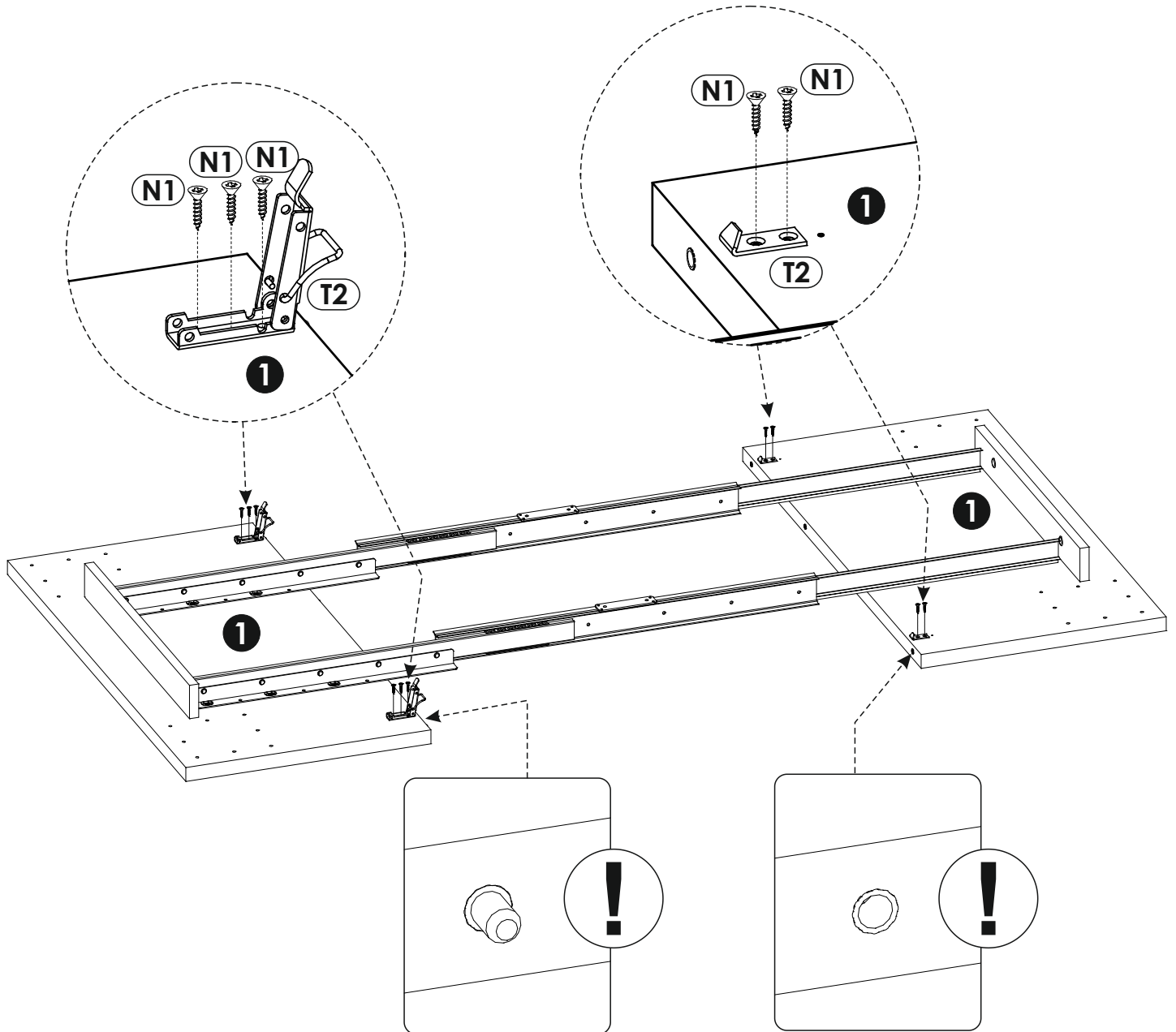
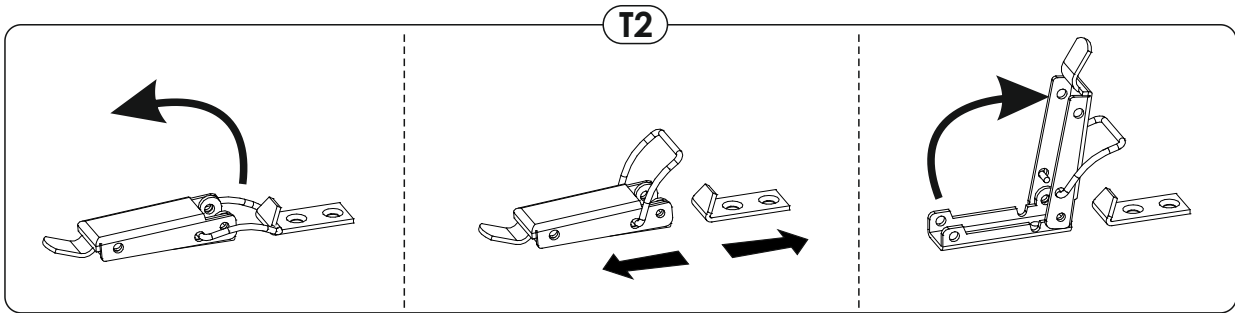
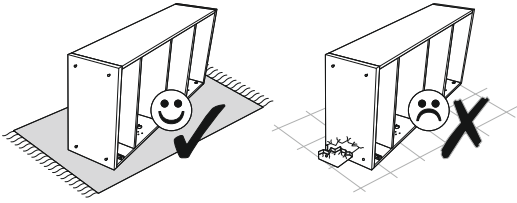
5 ▶



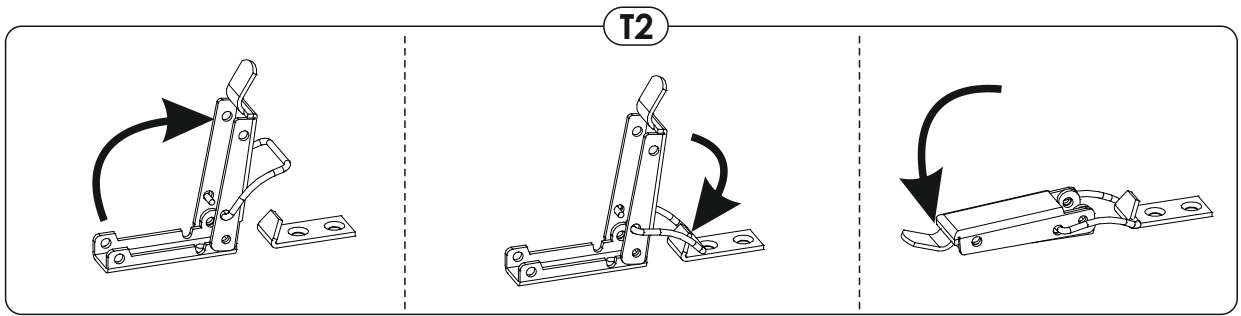
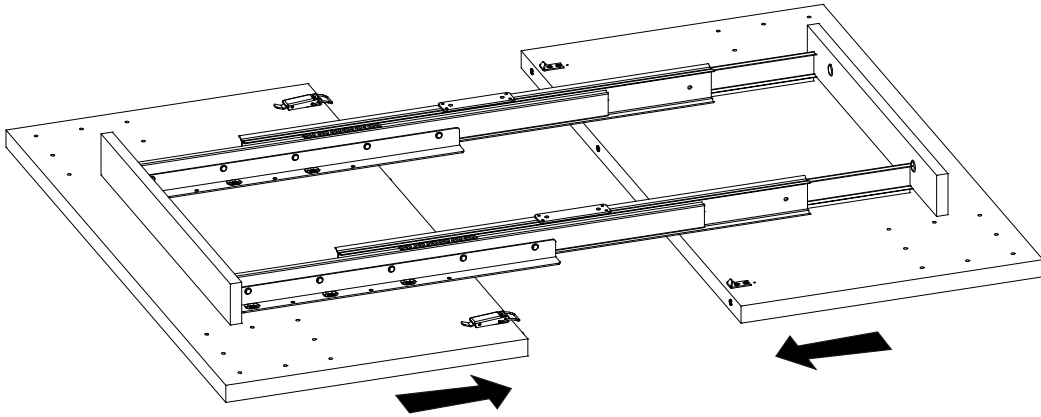
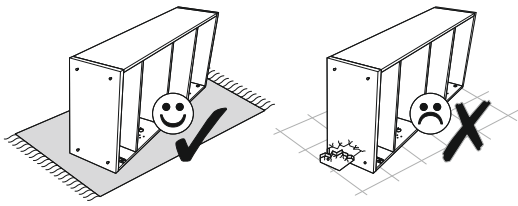
6 ▶



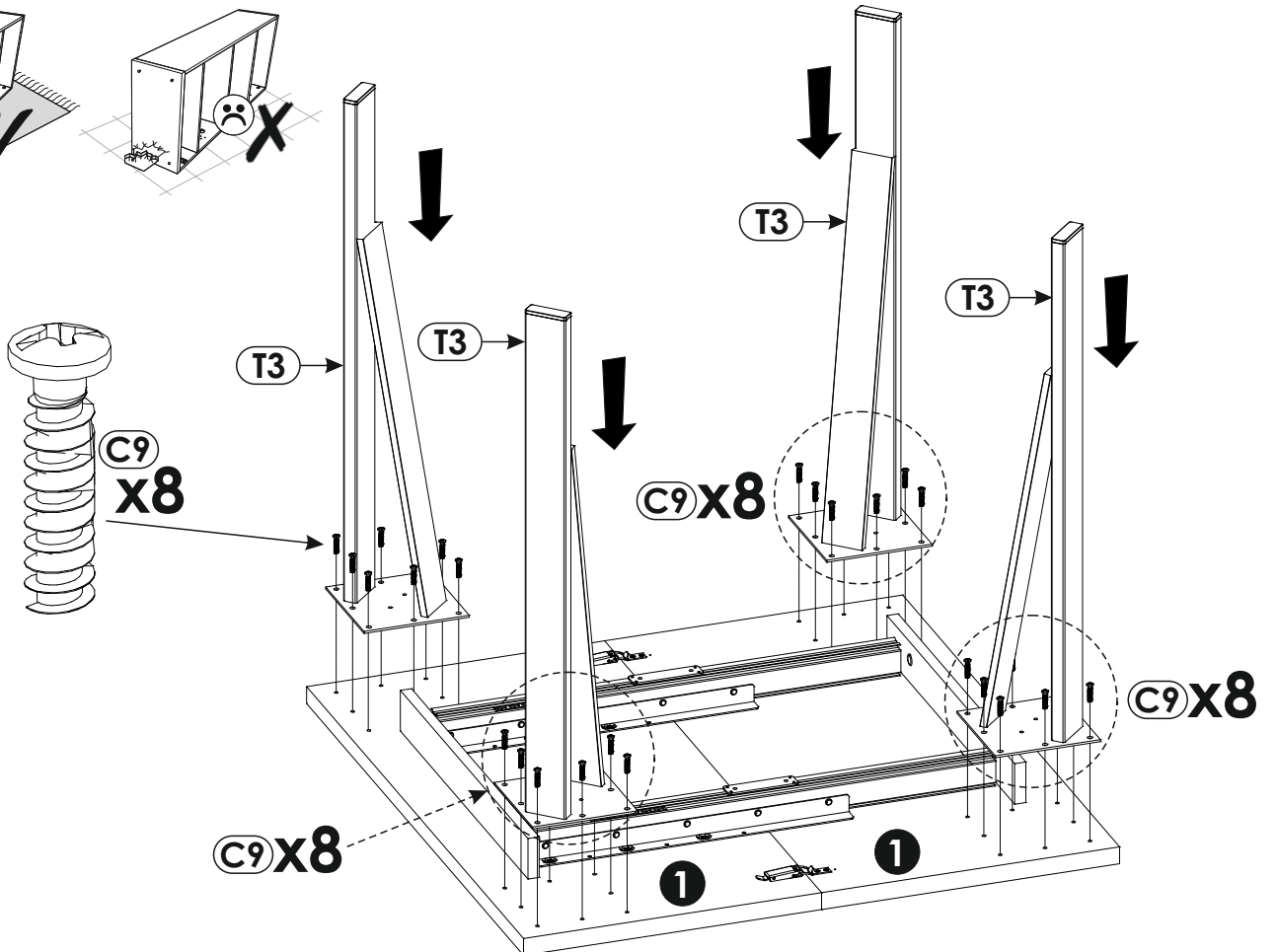
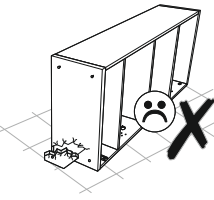
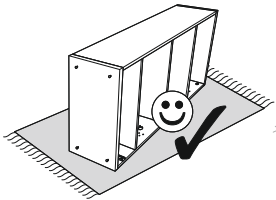
7 ▶



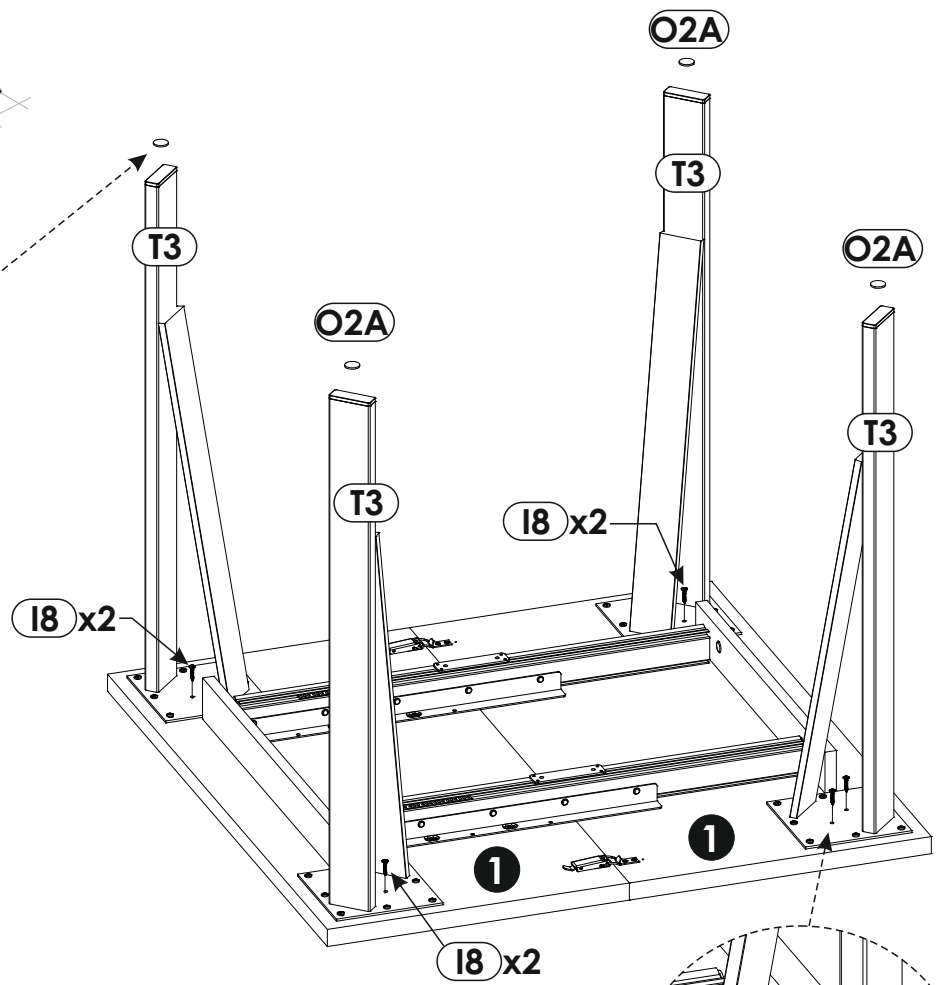
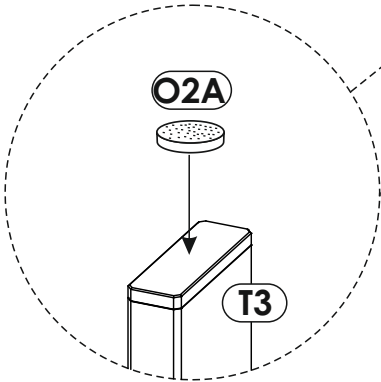
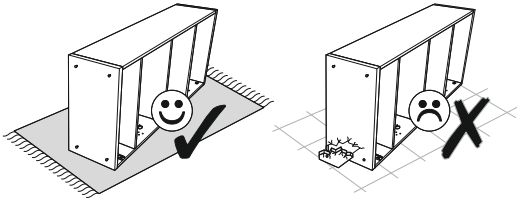
8 ▶



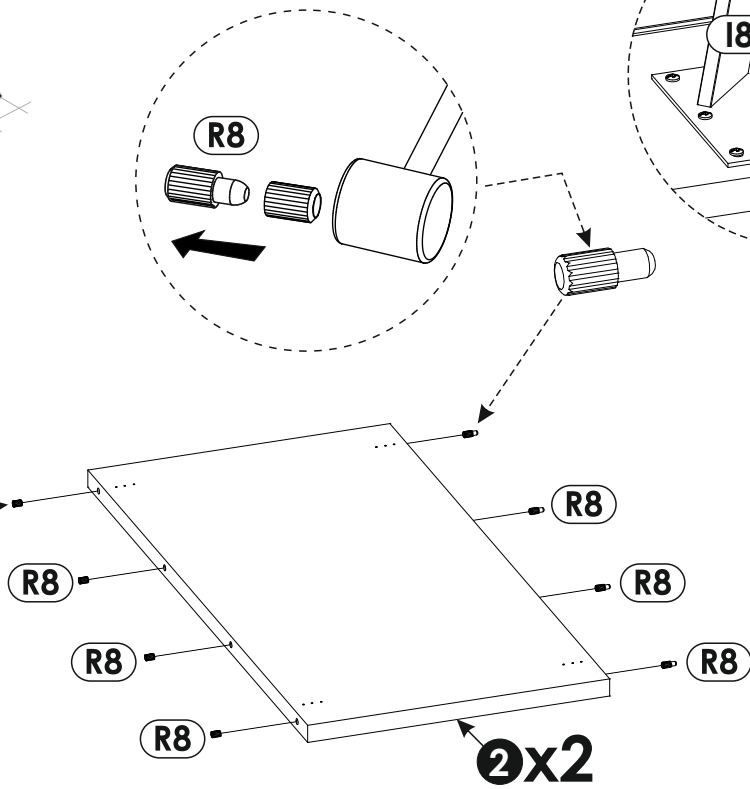
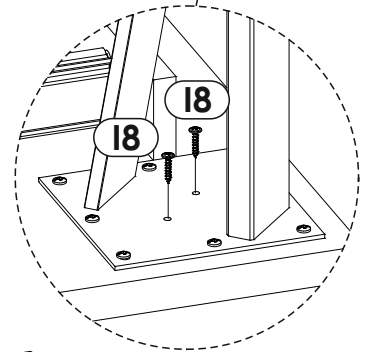
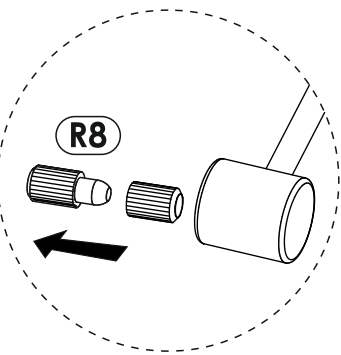
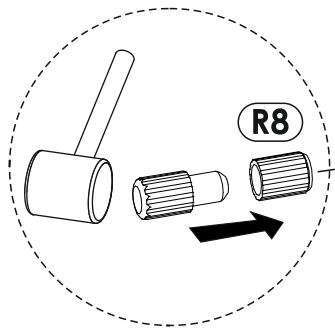
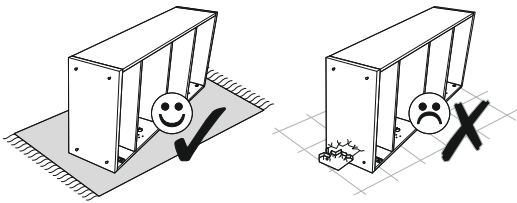
9 ▶



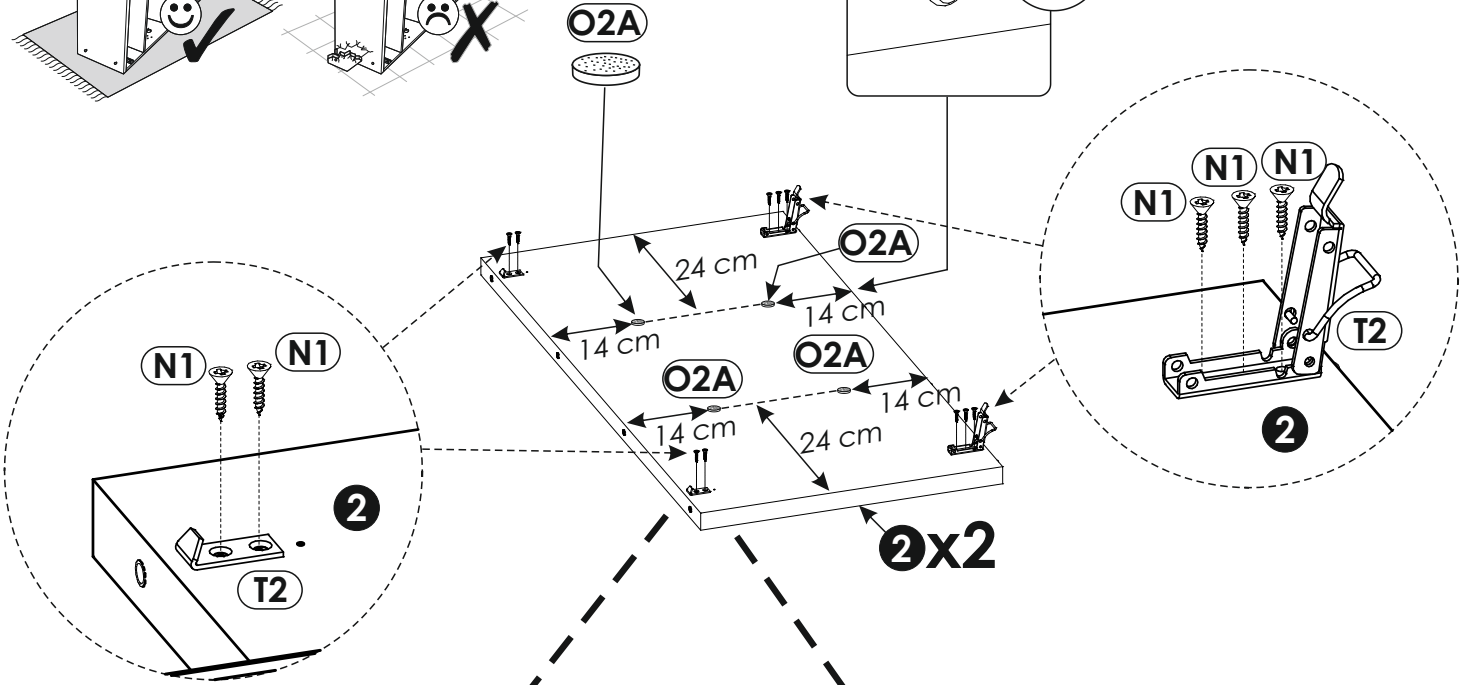
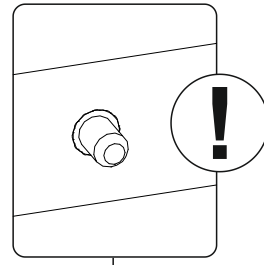
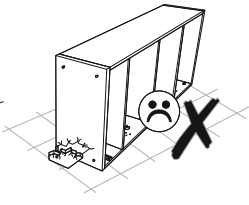
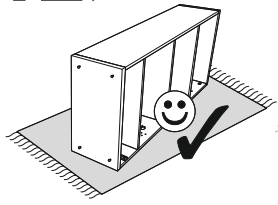
10 ▶



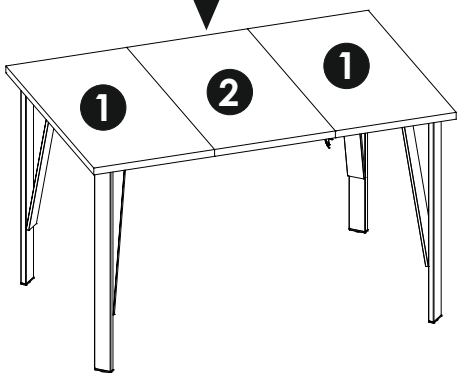
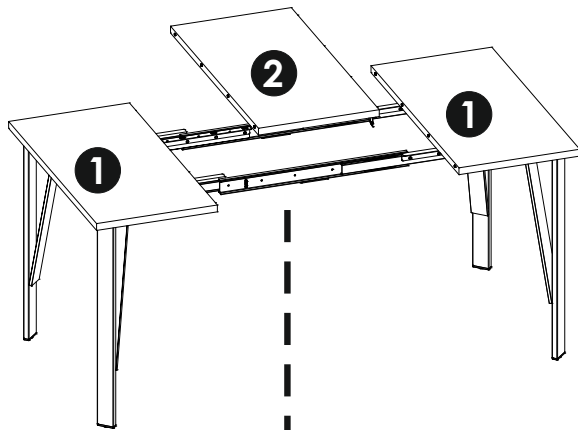
11 ▶



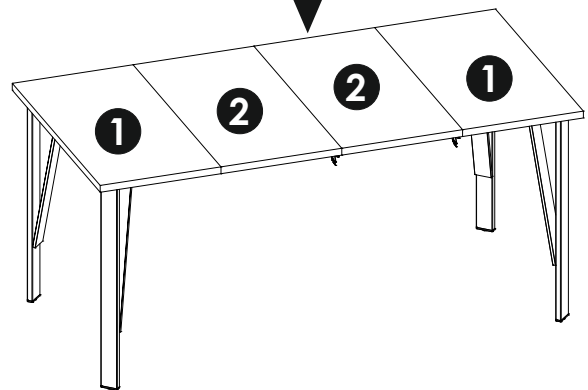
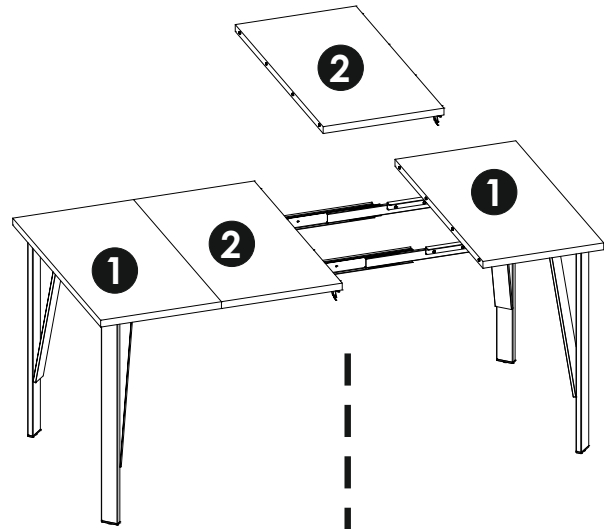
12 ▶



x1



x2



13▶

