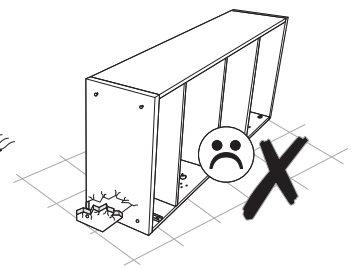
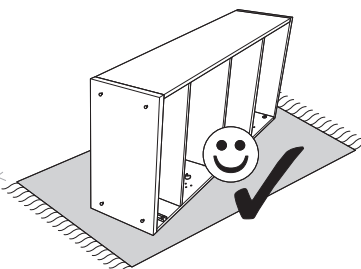
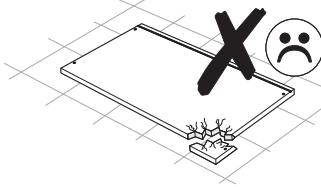
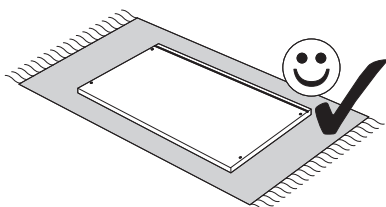
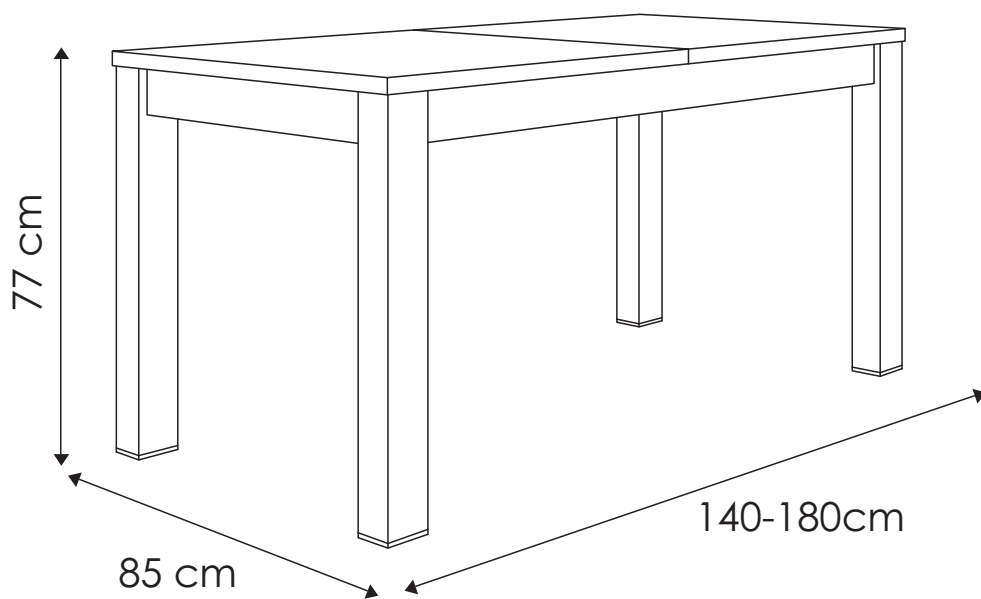
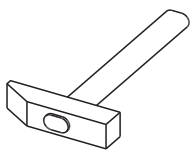
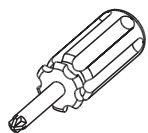
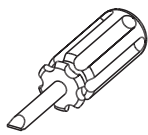
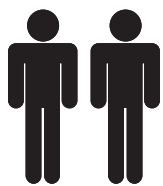
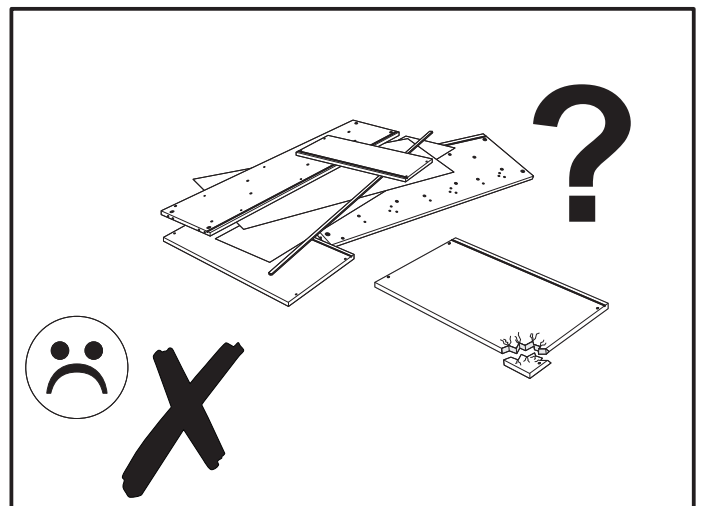
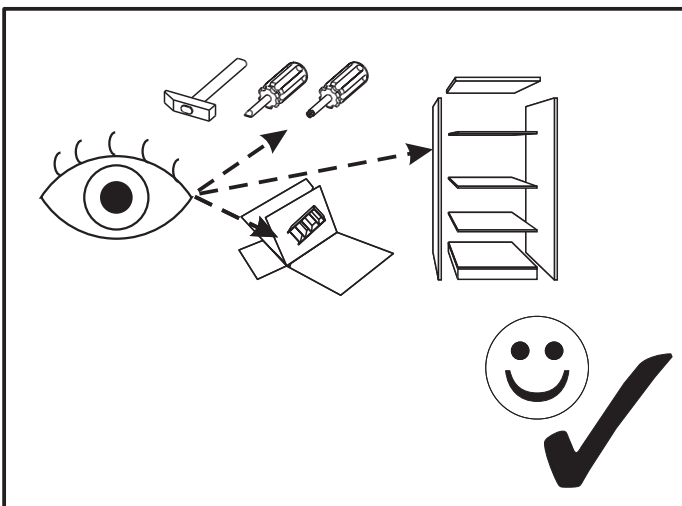
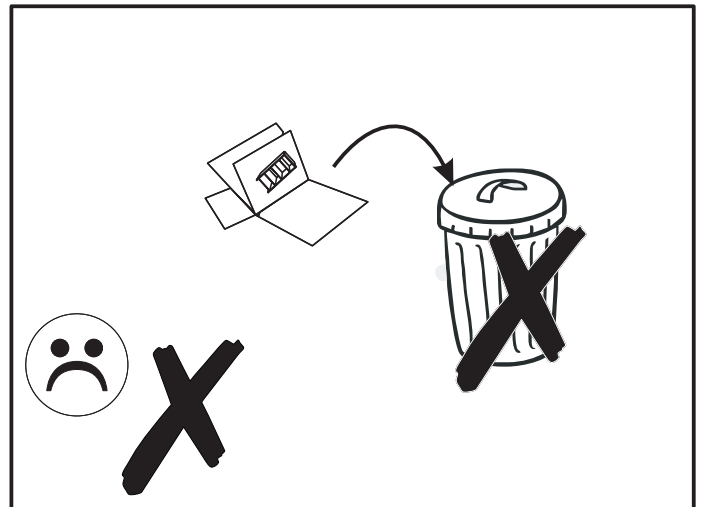
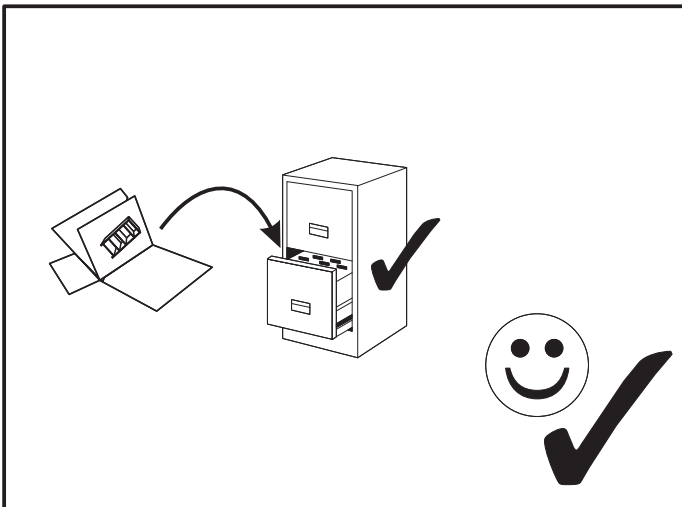
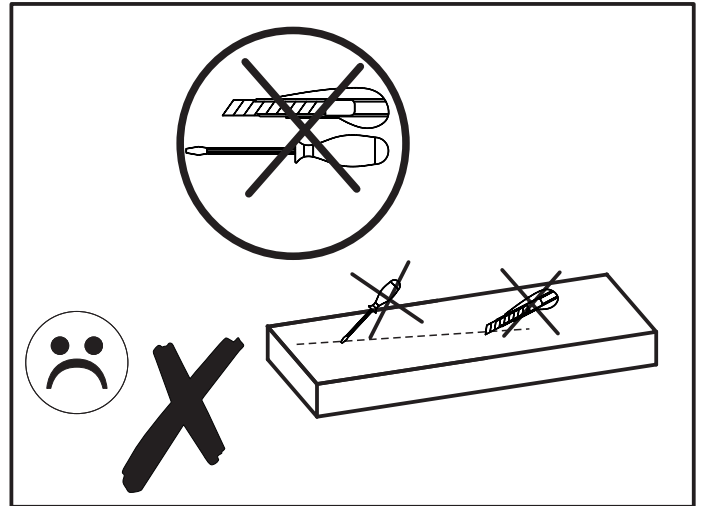
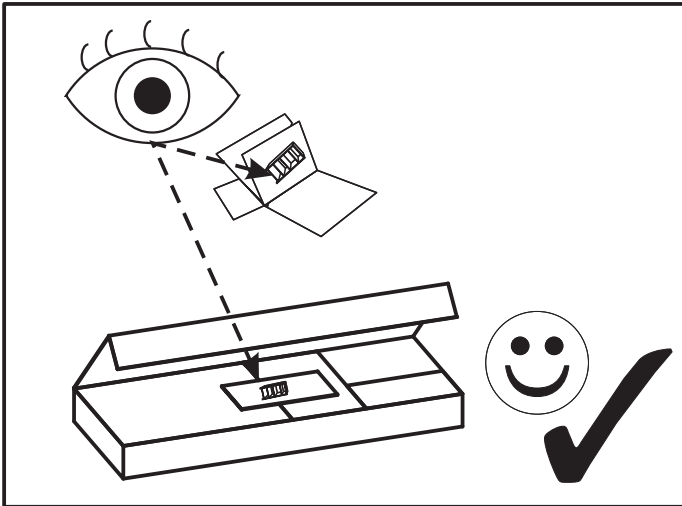
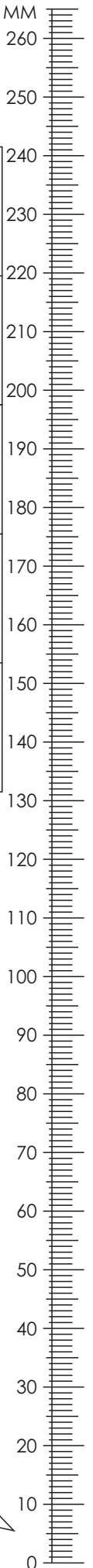





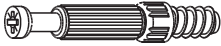


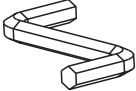

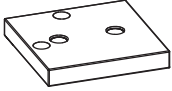
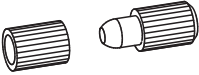
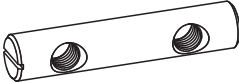
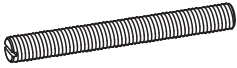


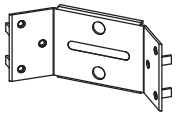
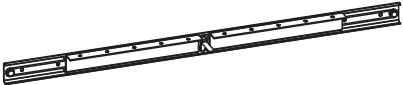
SUMMER TYP75

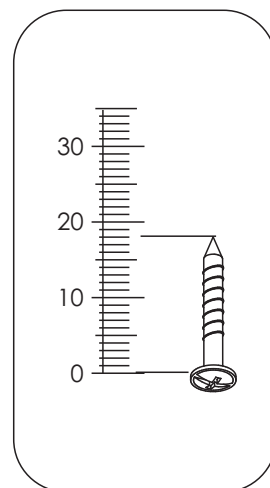




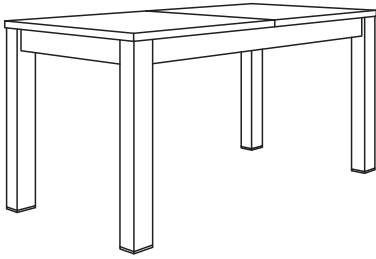
SUMMER TYP75



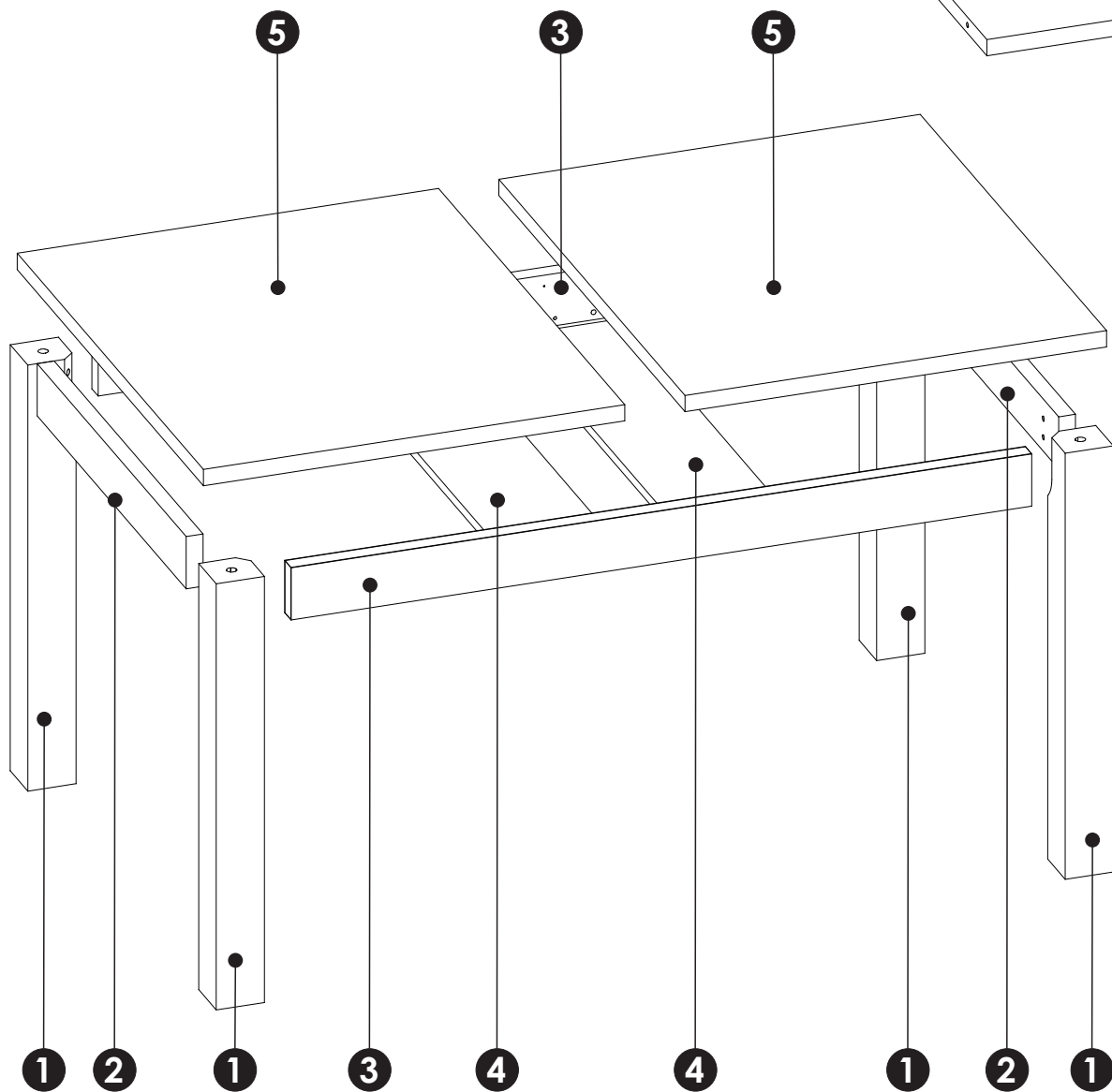
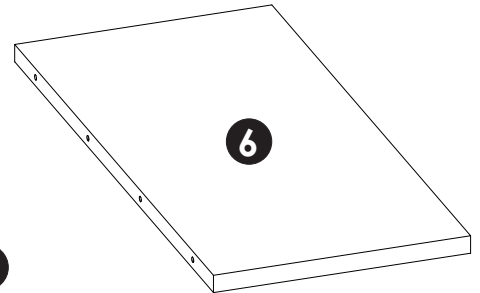
<p>A1 x 8 $\varnothing 8$ x 35 mm</p> 	<p>E0 x 4</p> 	<p>E1 x 4</p> 
<p>F1 x 4 $\varnothing 6$ x 34 mm</p> 	<p>I3 x 40 4 x 20 mm</p> 	<p>I5 x 8 3,5 x 30 mm</p> 
<p>M x 1</p> 	<p>N2 x 24 3,5 x 16 mm</p> 	<p>O24 x 4</p> 
<p>R8 x 8</p> 	<p>S13 x 4</p> 	<p>S14 x 8</p> 
<p>S15 x 8</p> 	<p>S16 x 8</p> 	<p>S17 x 4</p> 
<p>T9 x 2</p> 		

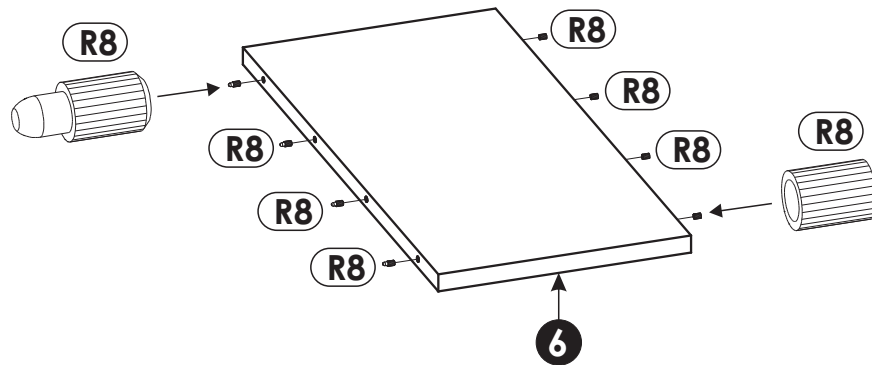
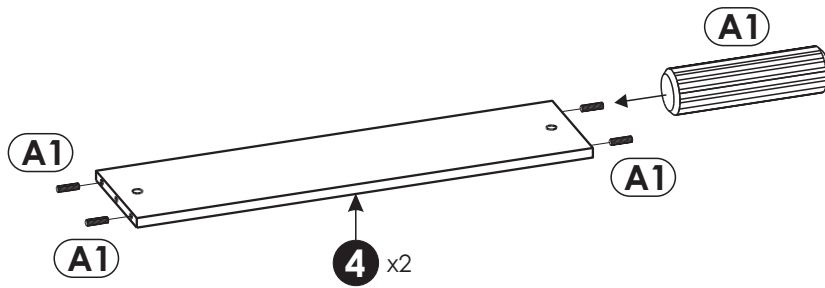
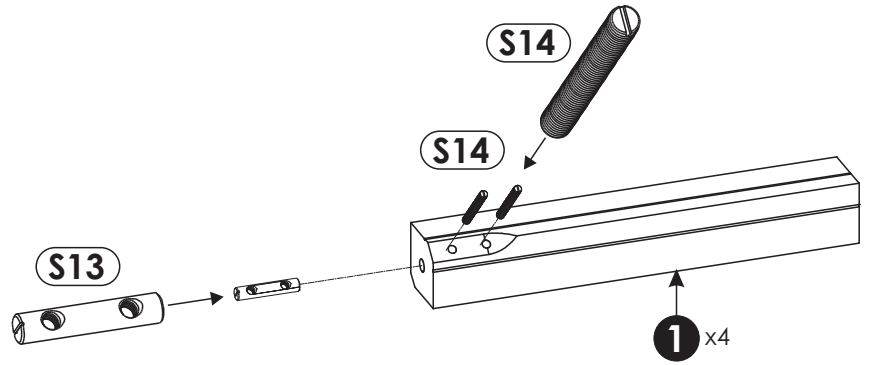
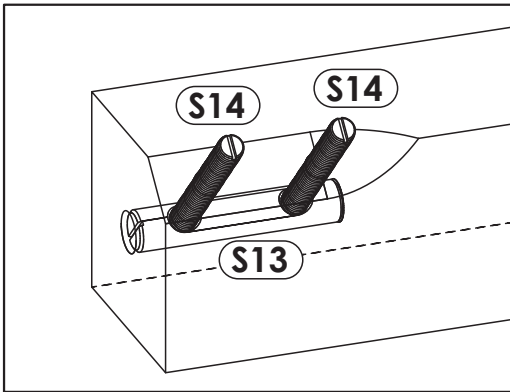
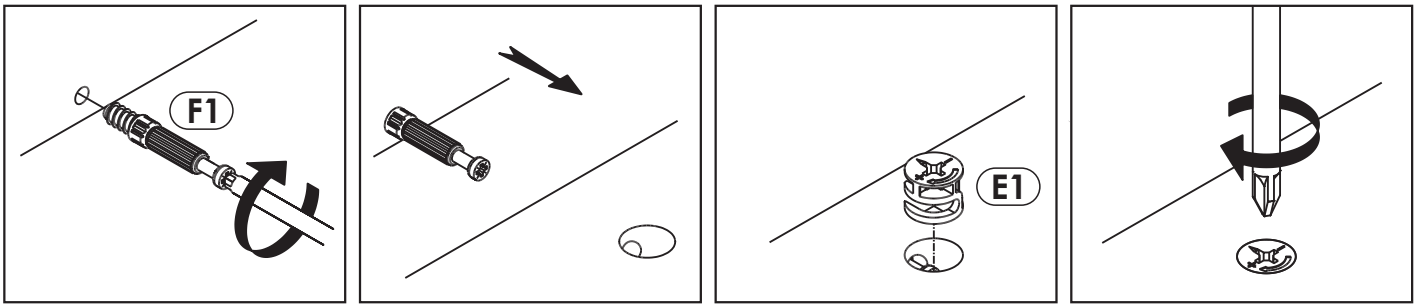


SUMMER TYP75

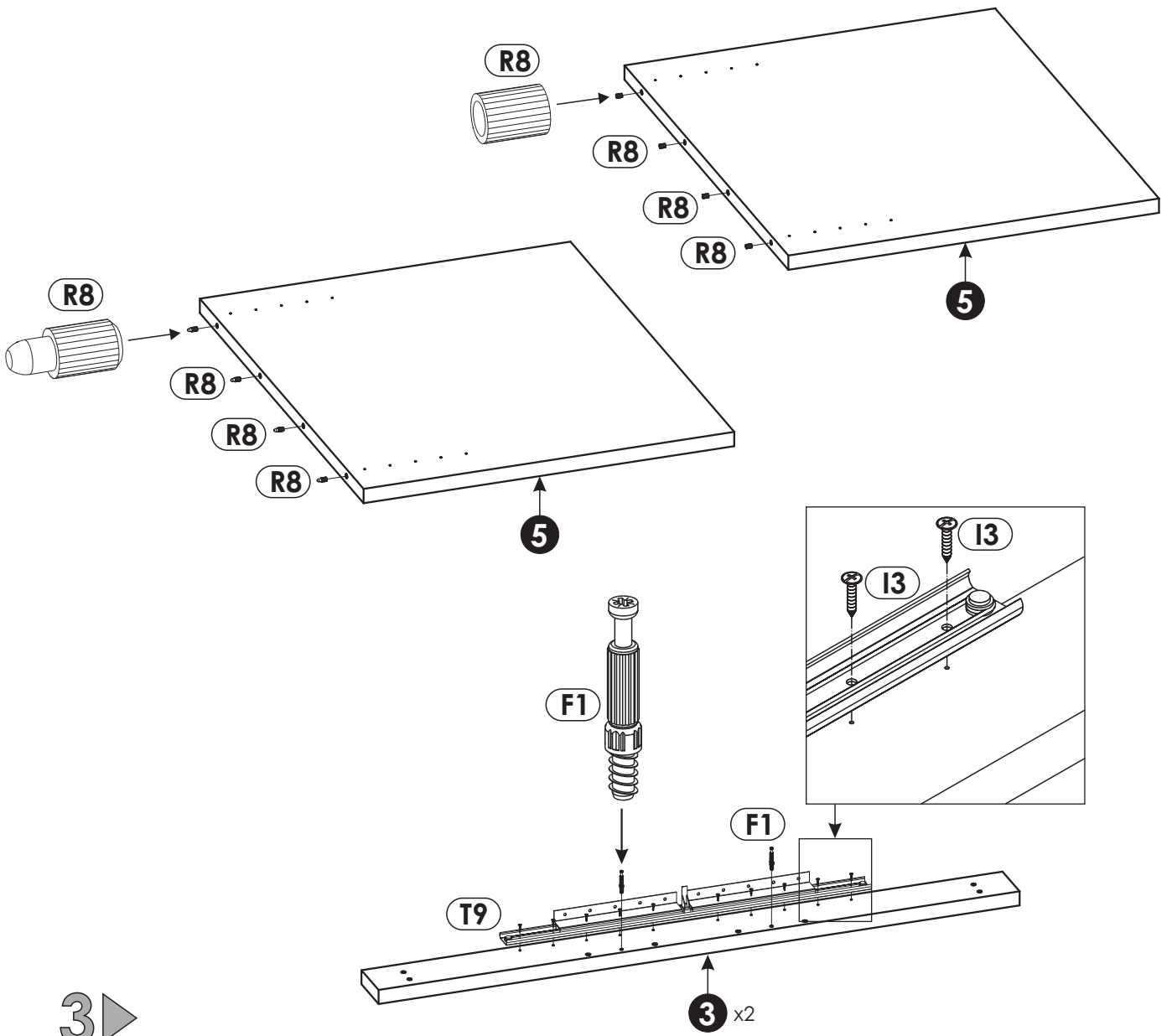


1	734	70	70	x4	1/2
2	700	90	28	x2	1/2
3	1250	90	28	x2	1/2
4	774	180	16	x2	2/2
5	700	850	28	x2	2/2
6	400	850	28	x1	2/2

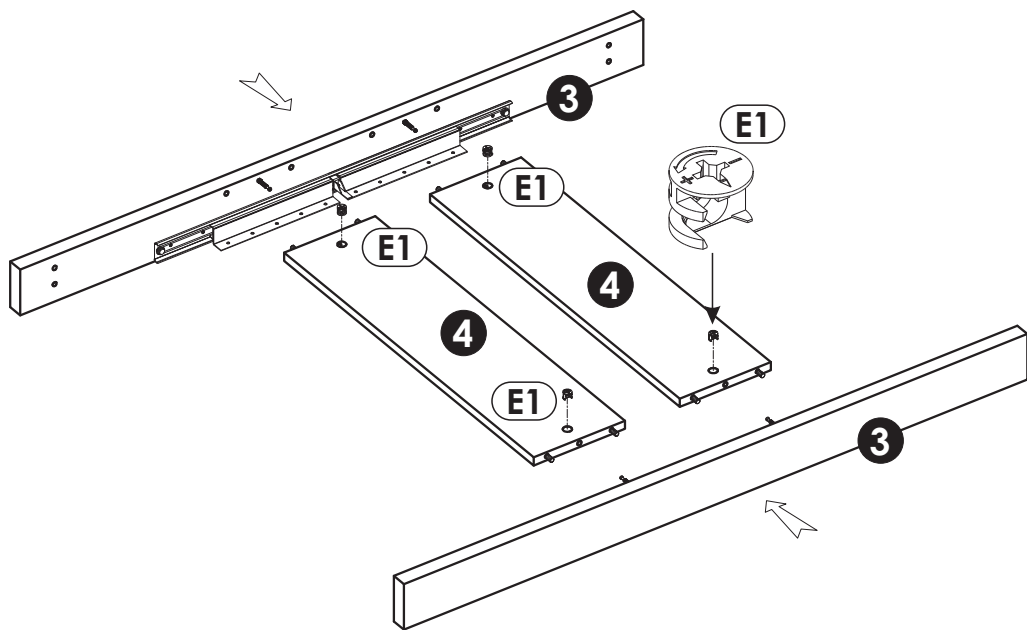




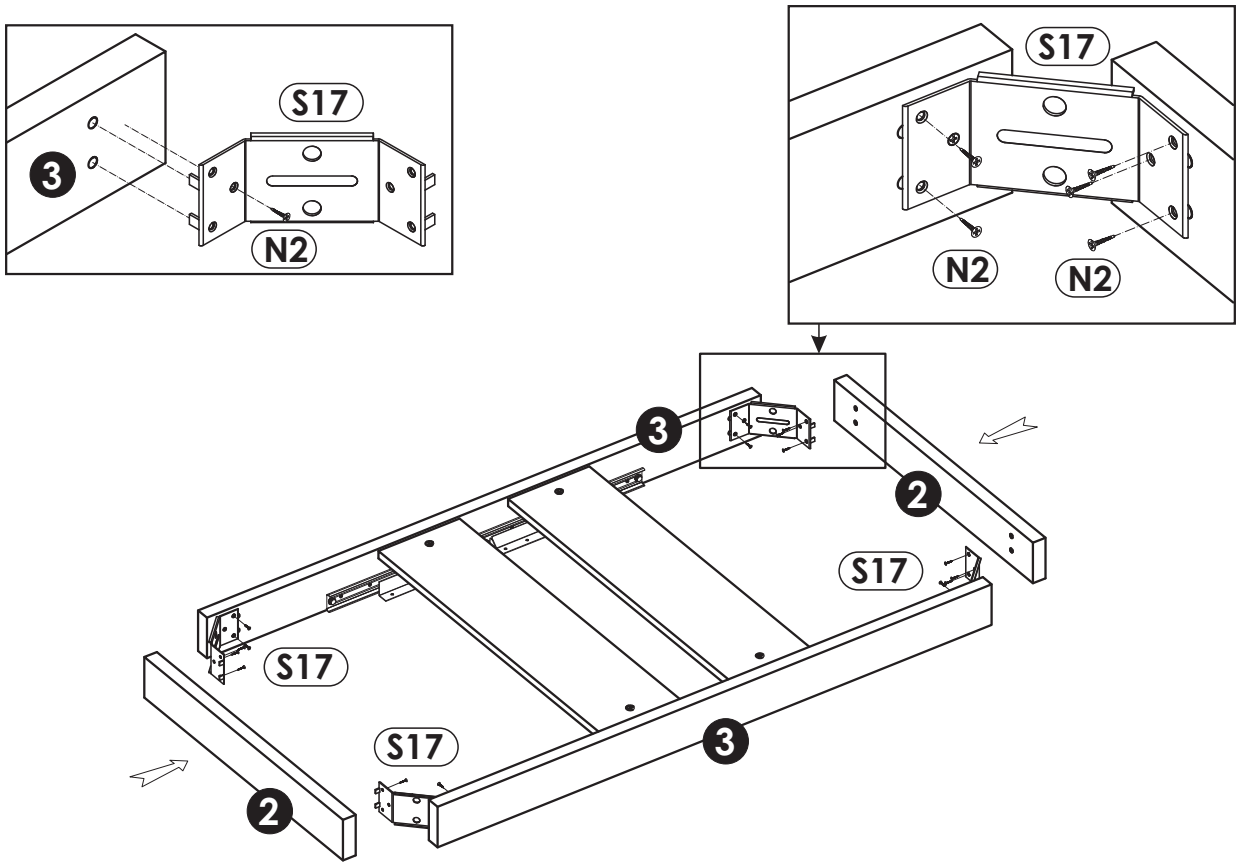
2 ▶



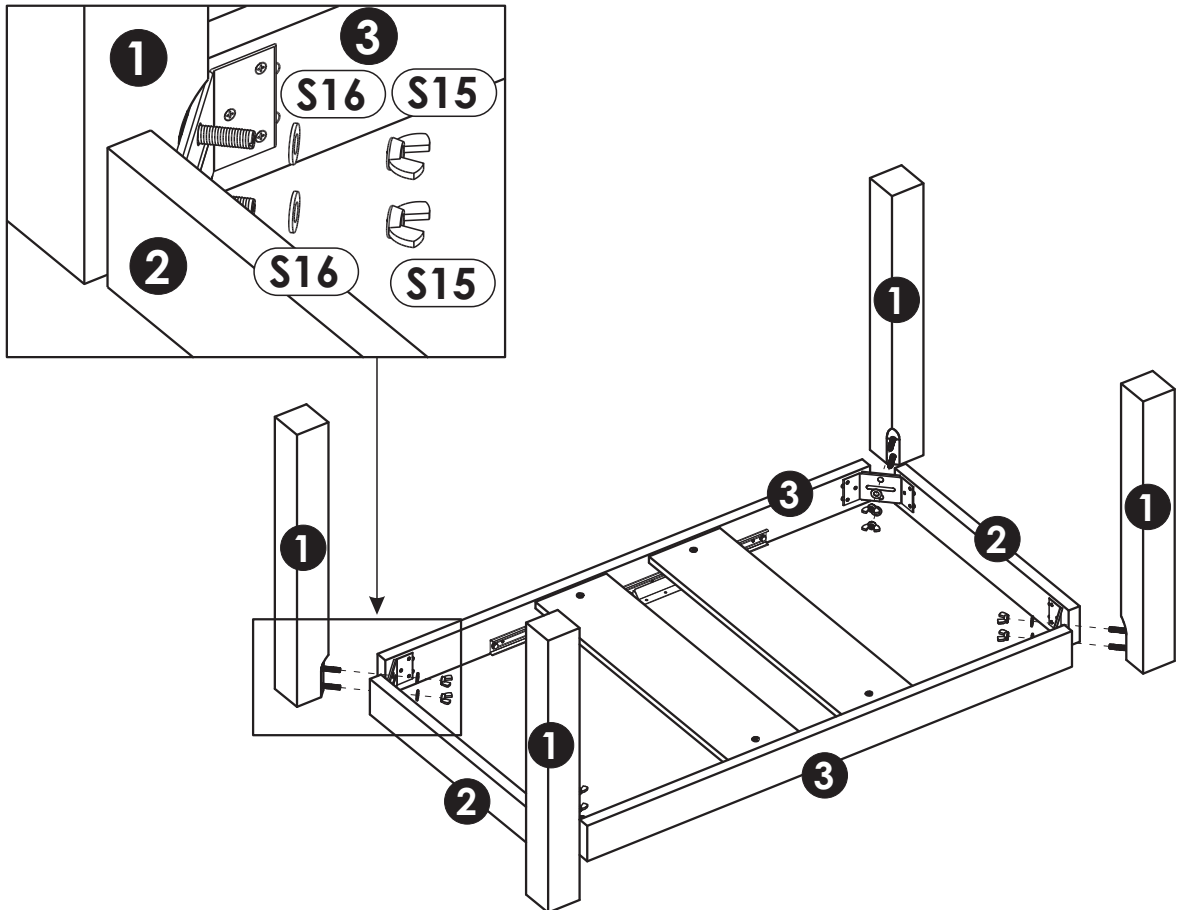
3 ▶



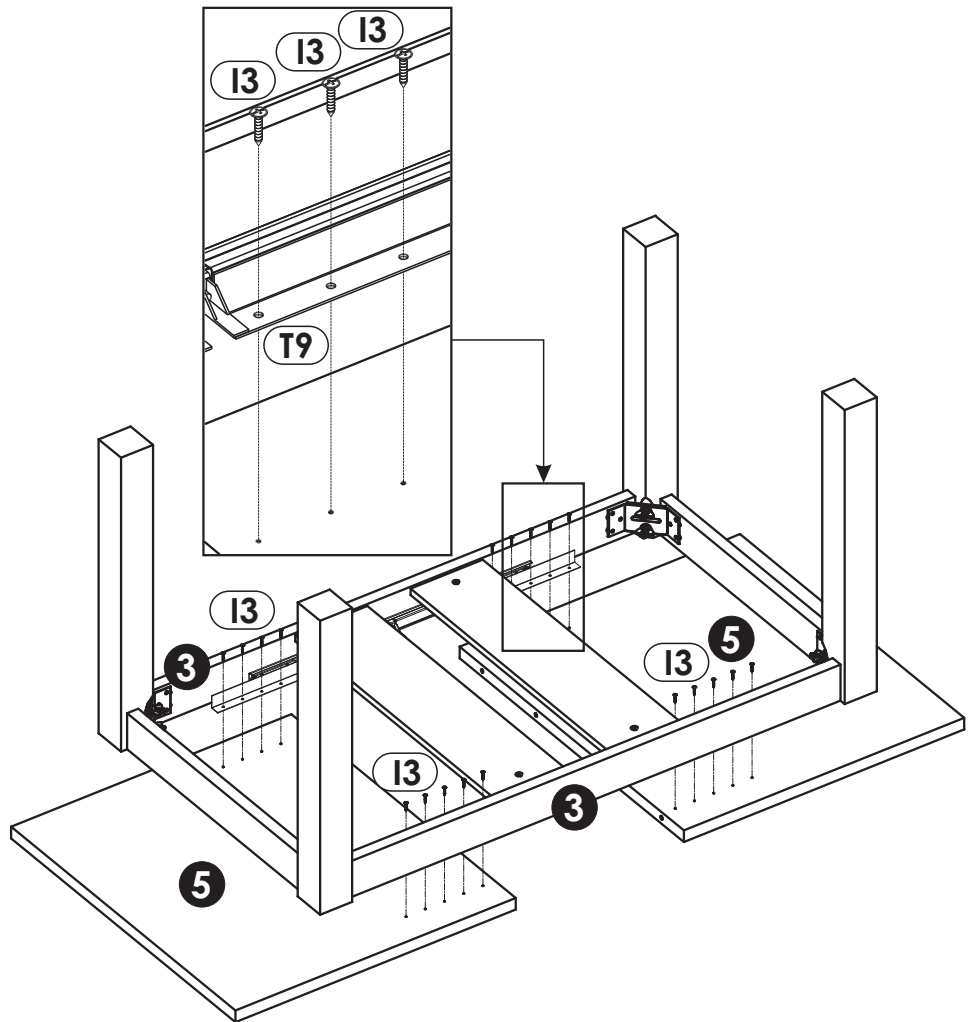
4 ▶



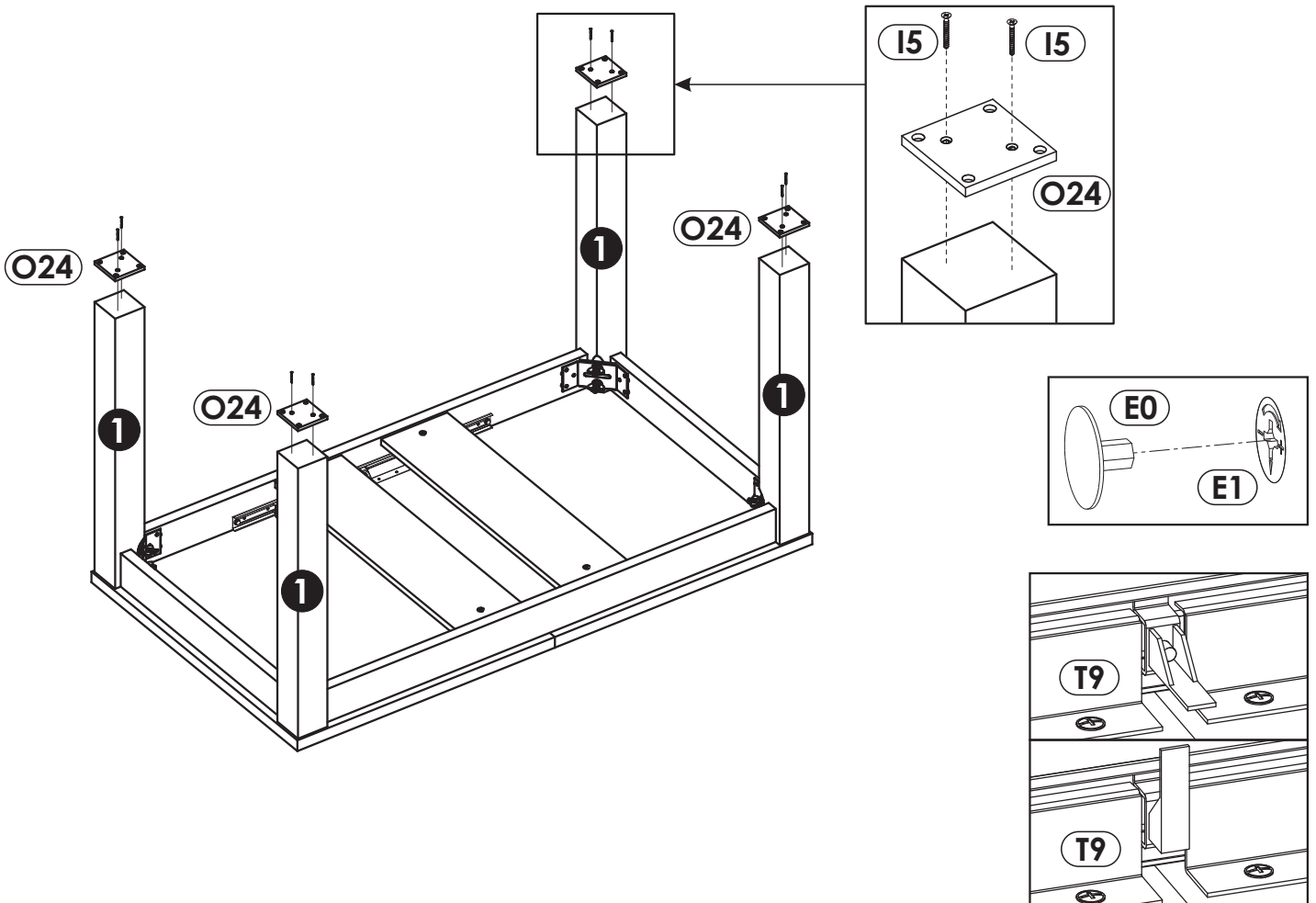
5 ▶



6 ▶



7 ▶



8 ▶

