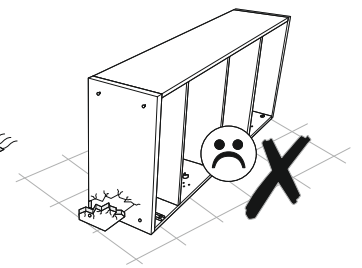
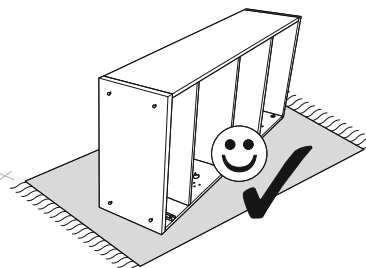
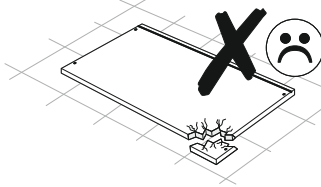
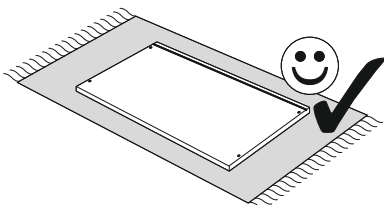
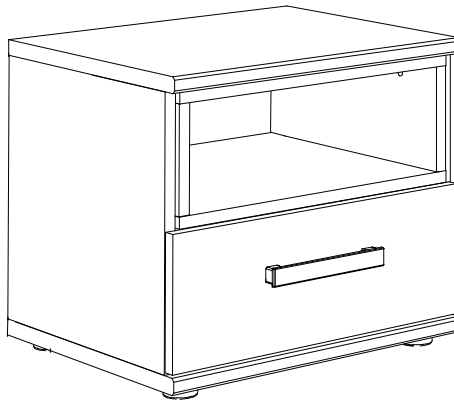
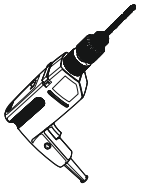
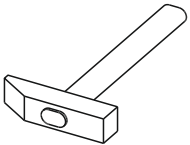
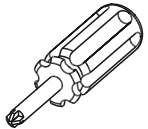
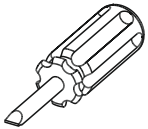
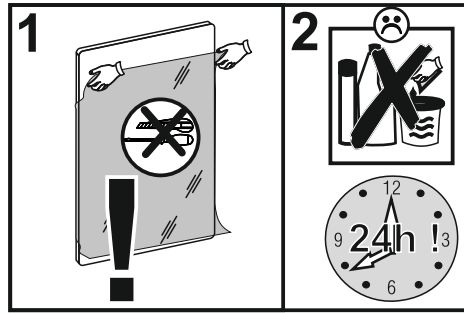
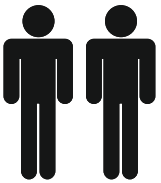
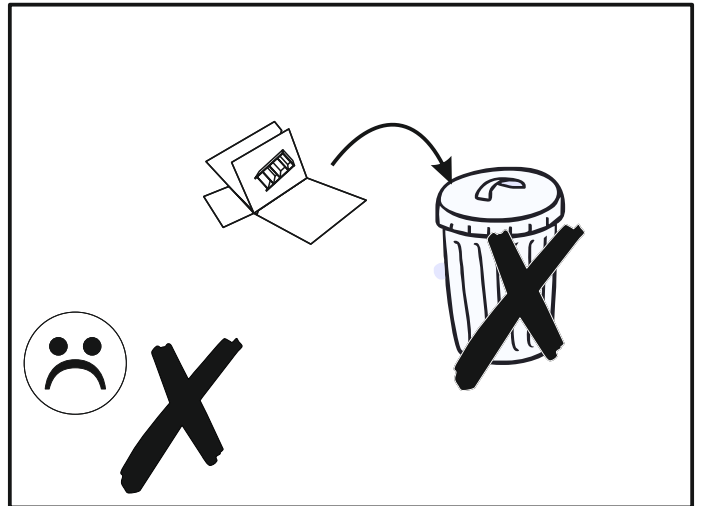
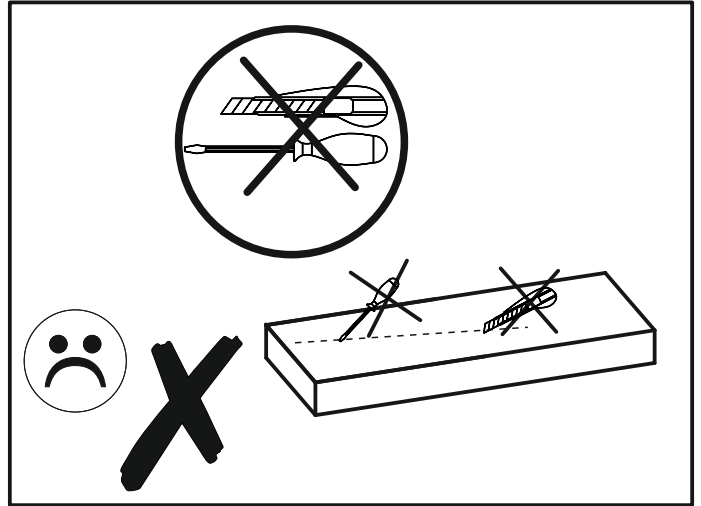
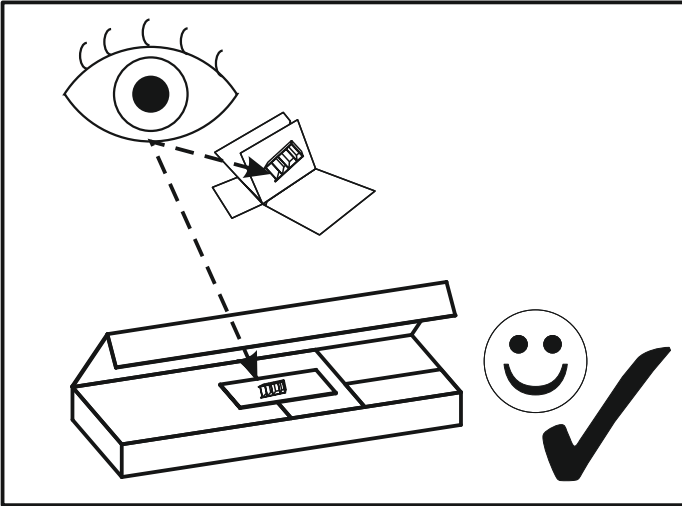
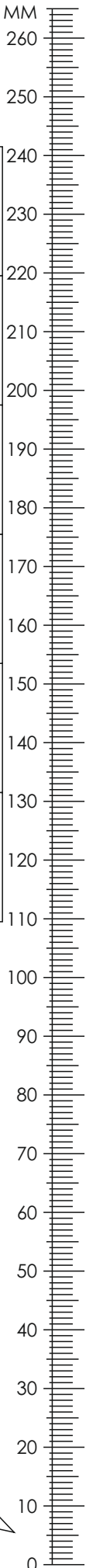




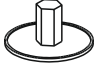




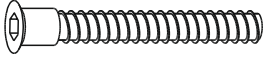



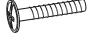
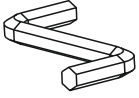

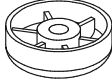




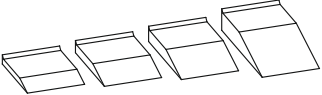
AMAZON TYP95

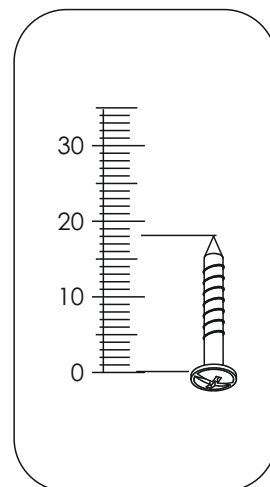




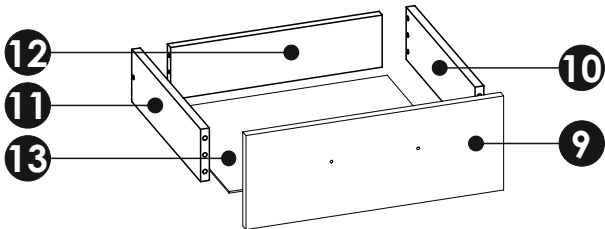
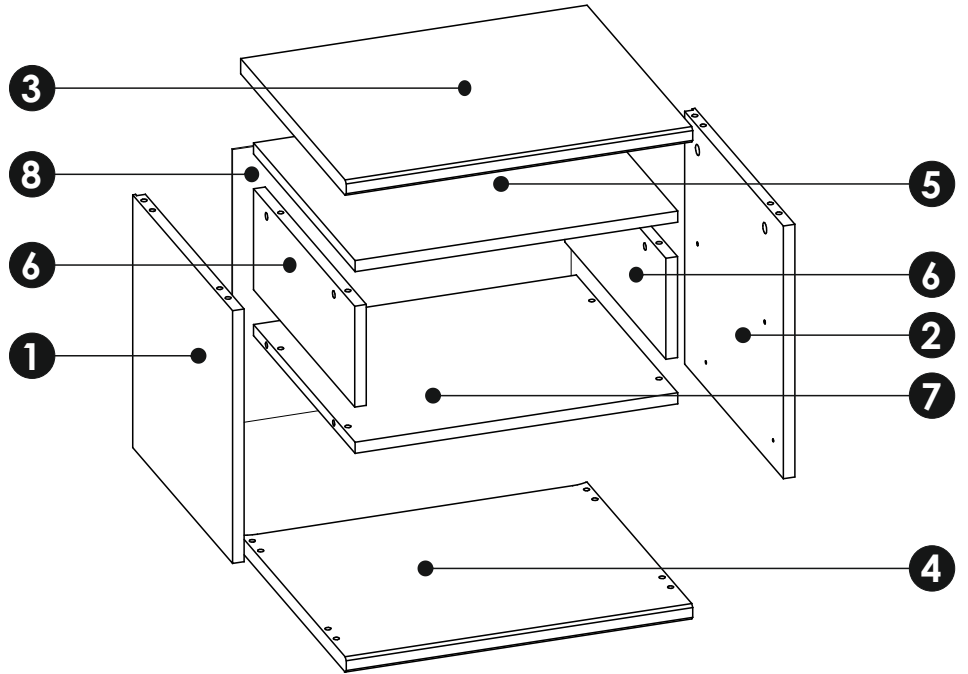
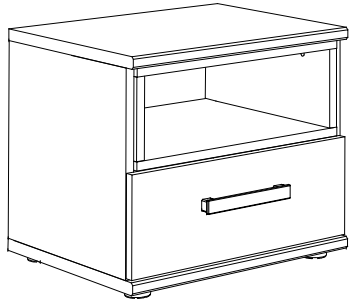
AMAZON TYP95



A1 x24 	C2 x4 EURO 5 x 13 mm 	E0 x6 
E1 x10 	F1 x10 	G0 x6 
G1 x2 $\phi 7 \times 50$ mm 	G2 x4 $\phi 7 \times 60$ mm 	H1 x1 
I10 x4 3,5 x 22 mm 	J1 x6 3 x 20 mm 	K3 x2 M4 x 22 mm 
M x1 	N1 x20 3 x 16 mm 	O1 x4 
P14 x4 $\phi 10$ 	R4 x1 	R8 x2 
T3 x1 L-350 	Z x1 	

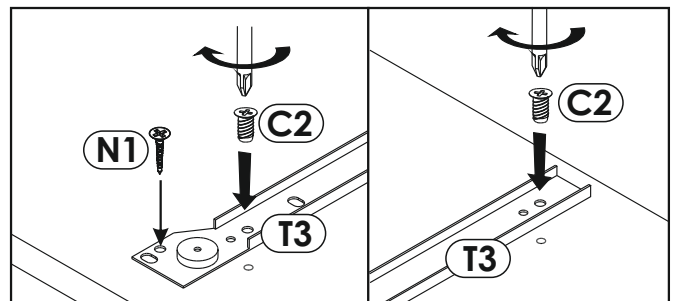
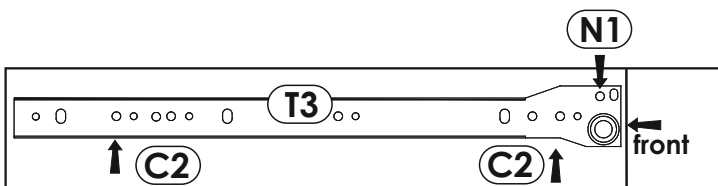
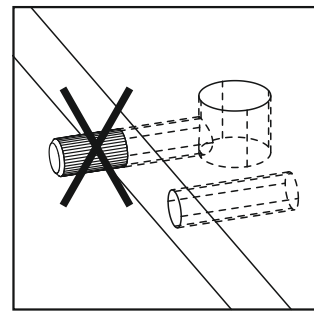
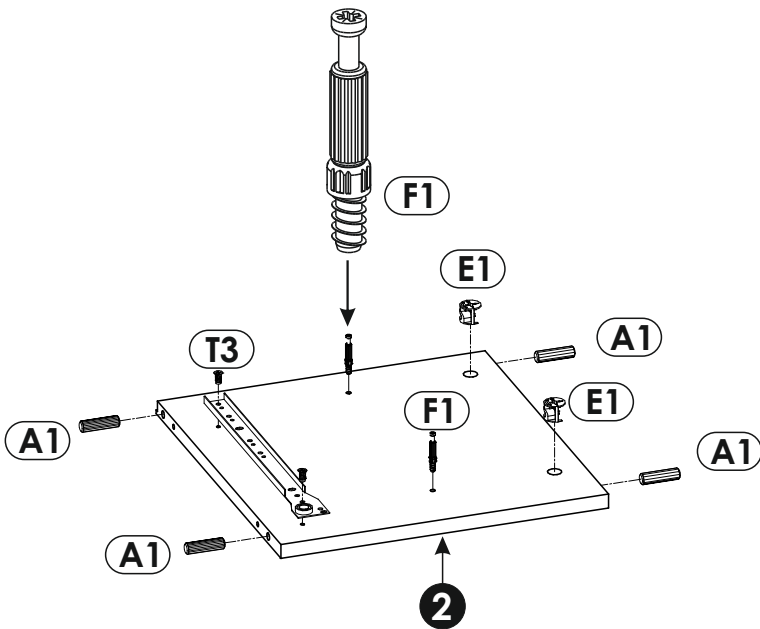
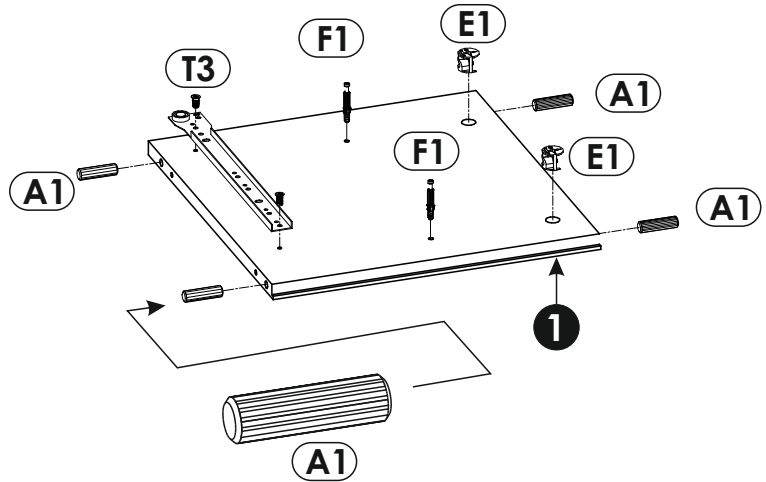
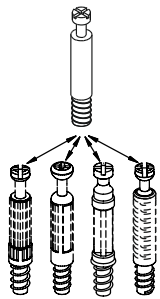
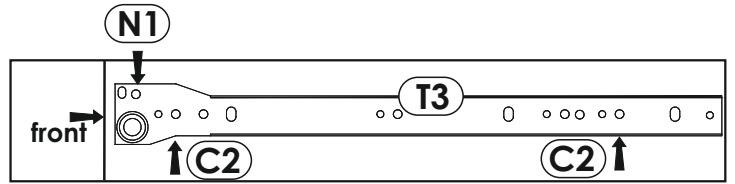
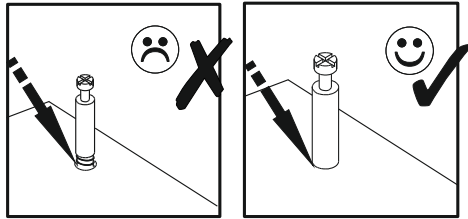
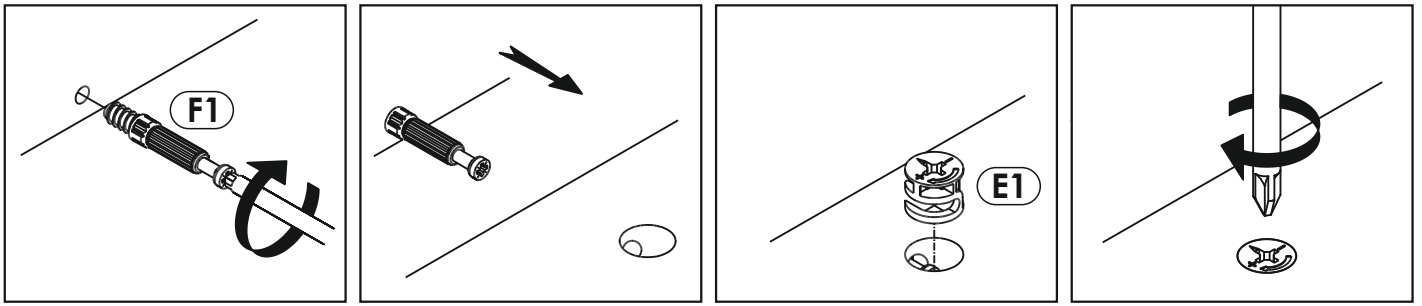


AMAZON TYP95

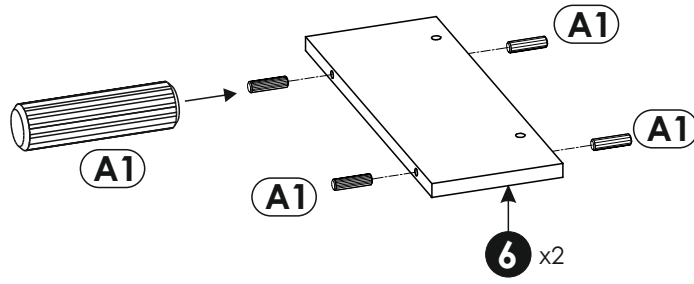


1	363	380	16	x1	1/1
2	363	380	16	x1	1/1
3	456	402	22	x1	1/1
4	456	402	22	x1	1/1
5	422	386	16	x1	1/1
6	145	385	16	x2	1/1

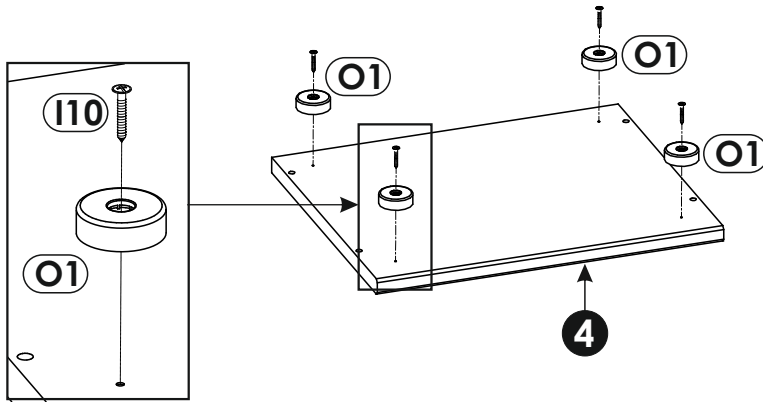
7	422	386	16	x1	1/1
8	445	385	3	x1	1/1
9	452	180	16	x1	1/1
10	350	100	16	x1	1/1
11	350	100	16	x1	1/1
12	367	100	16	x1	1/1
13	397	355	3	x1	1/1



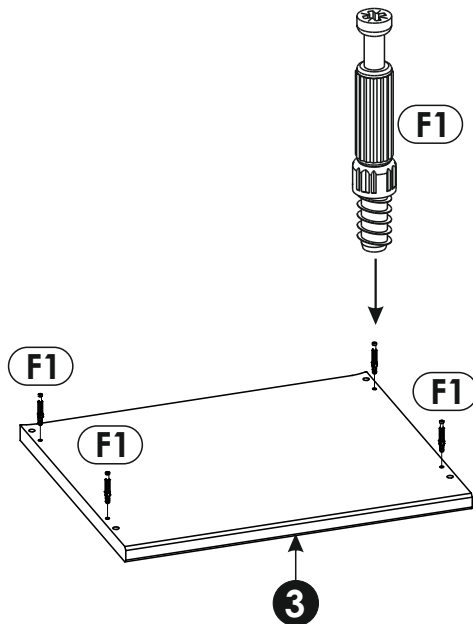
2▶



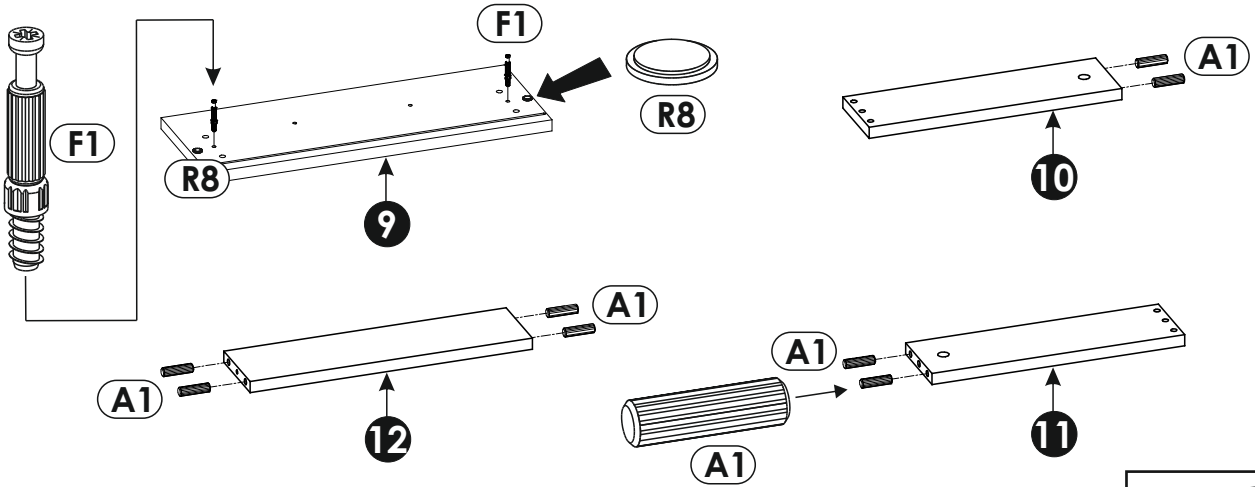
3▶



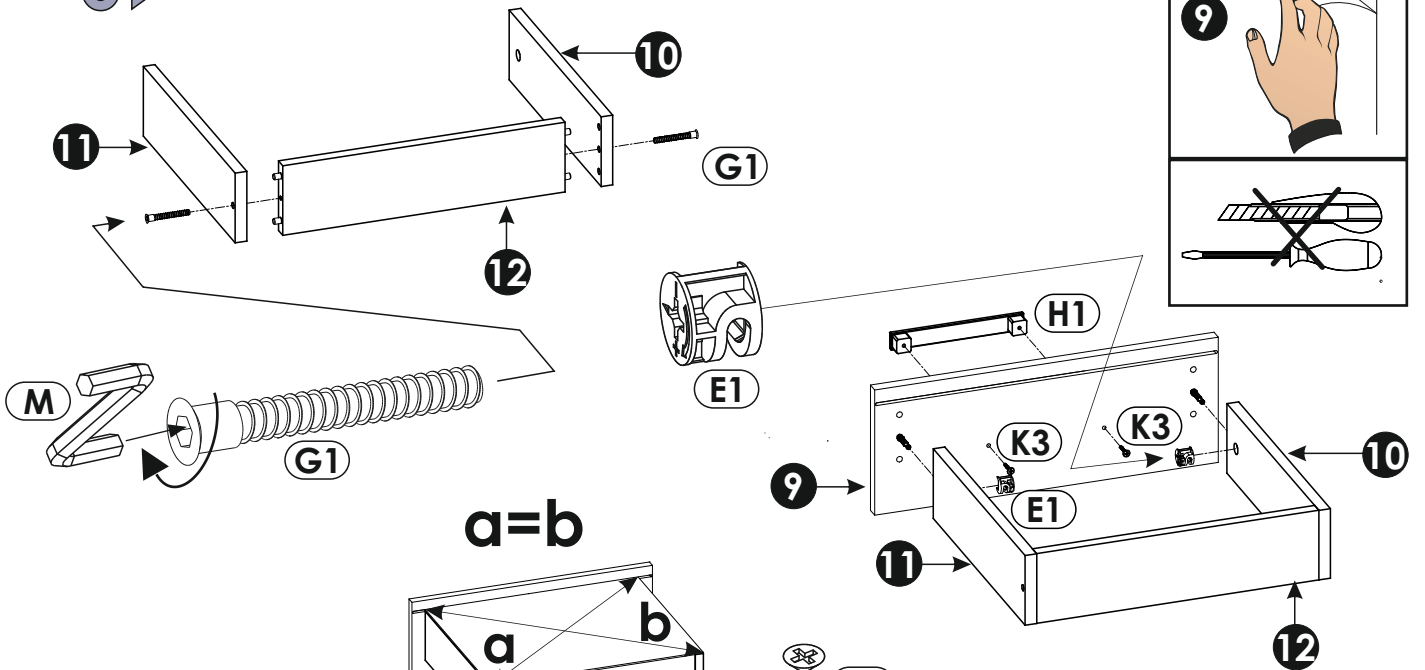
4▶



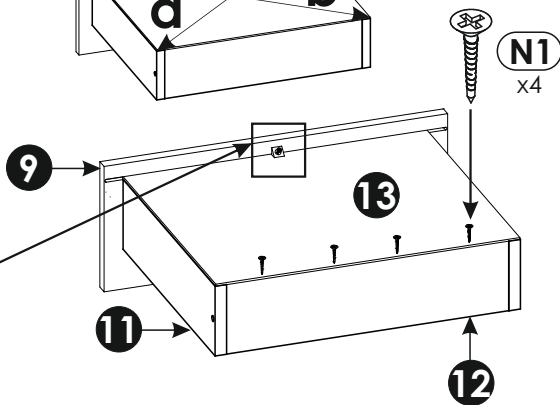
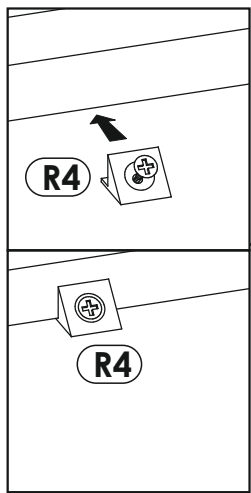
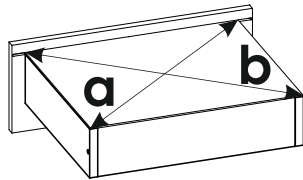
5 ▶



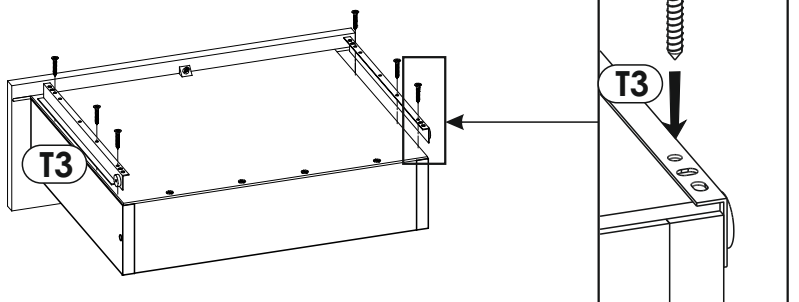
6 ▶



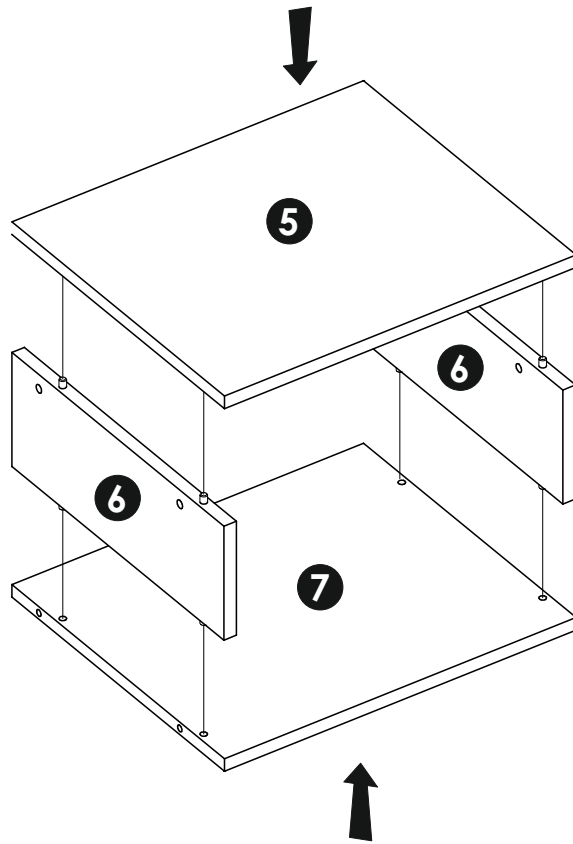
$a=b$



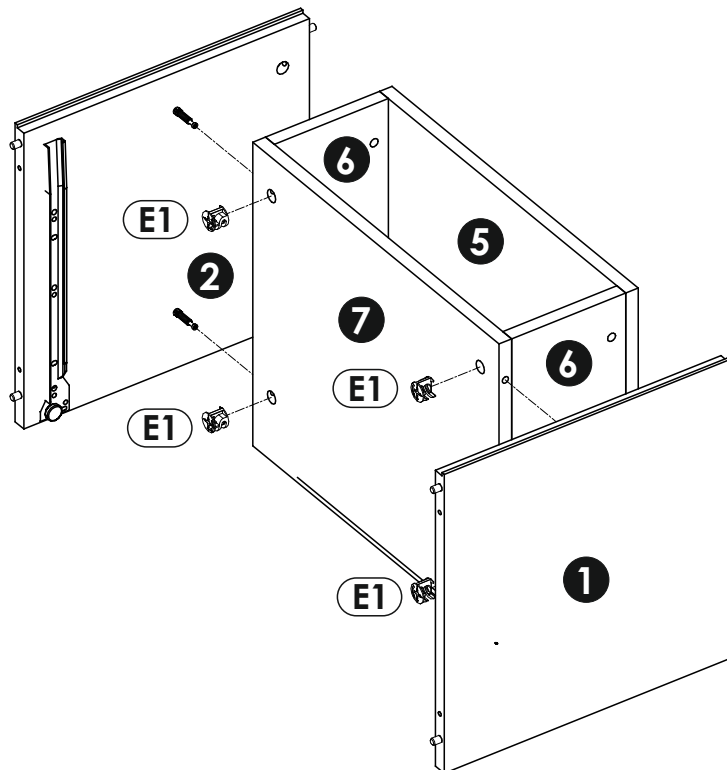
7 ▶



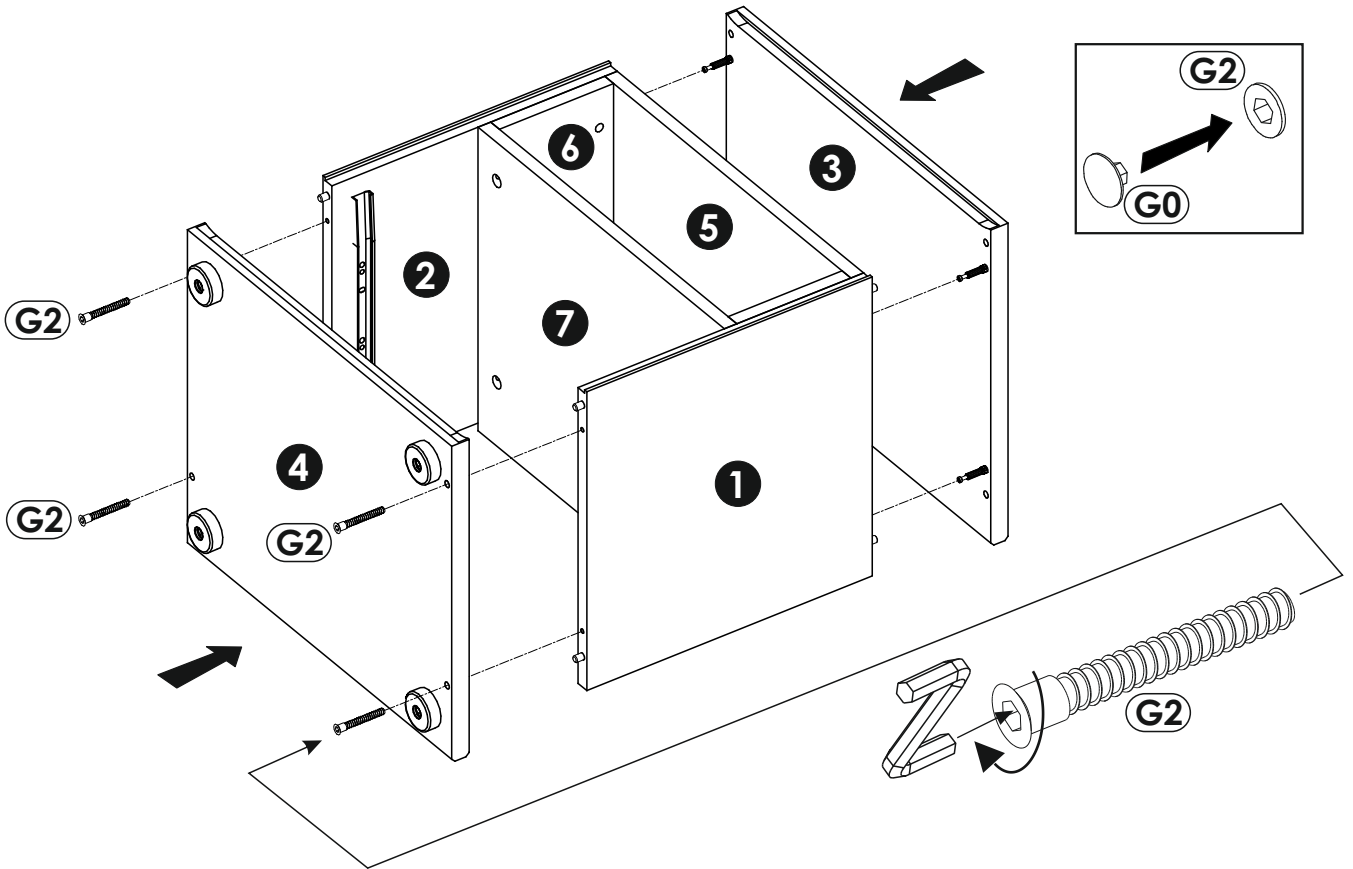
8 ▶



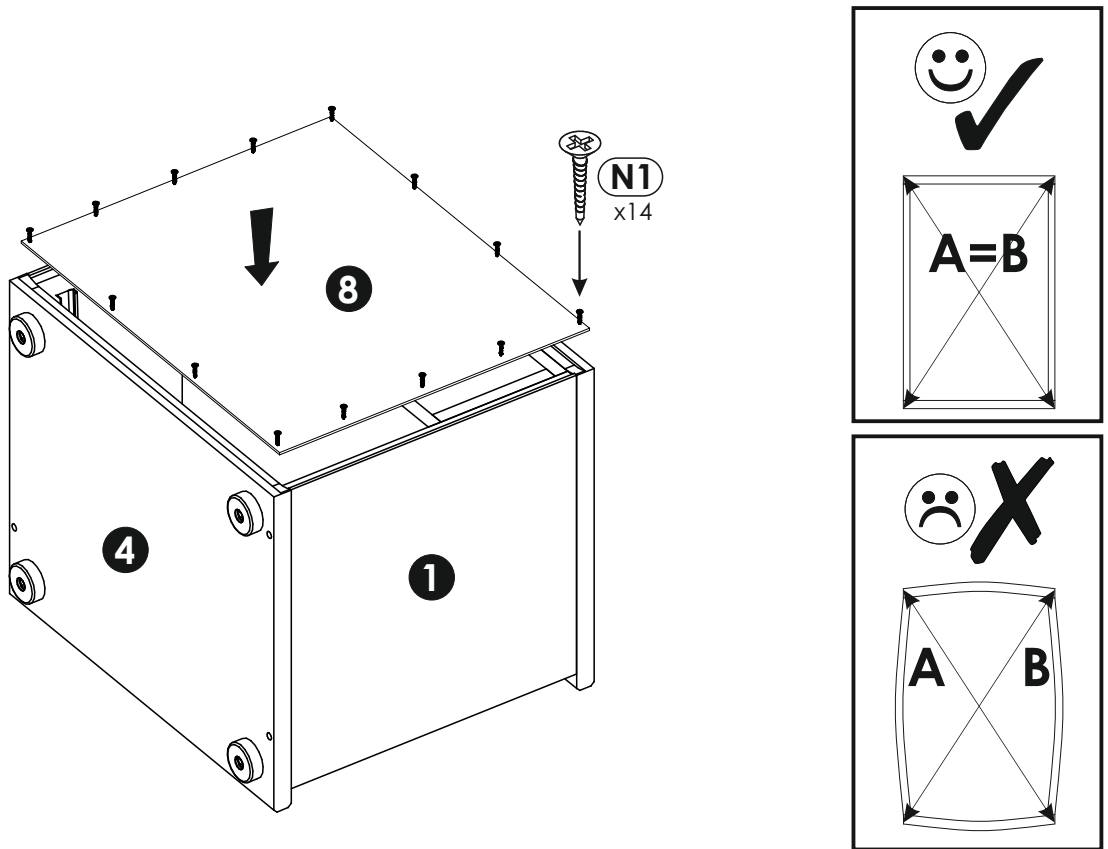
9 ▶



10 ▶



11 ▶



12▶

