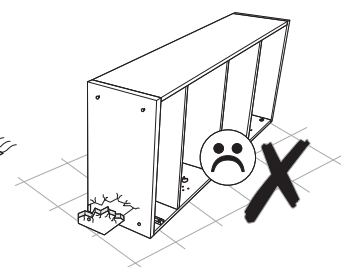
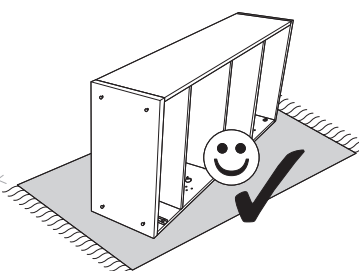
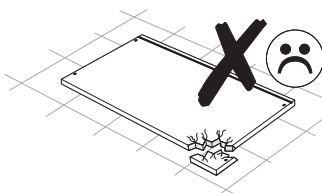
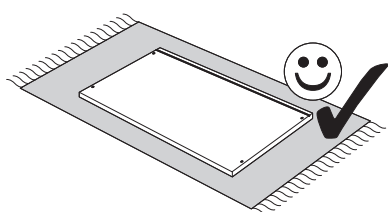
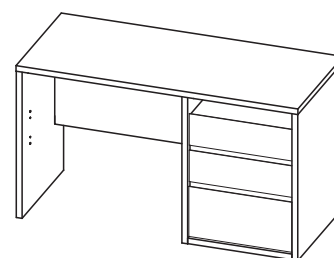
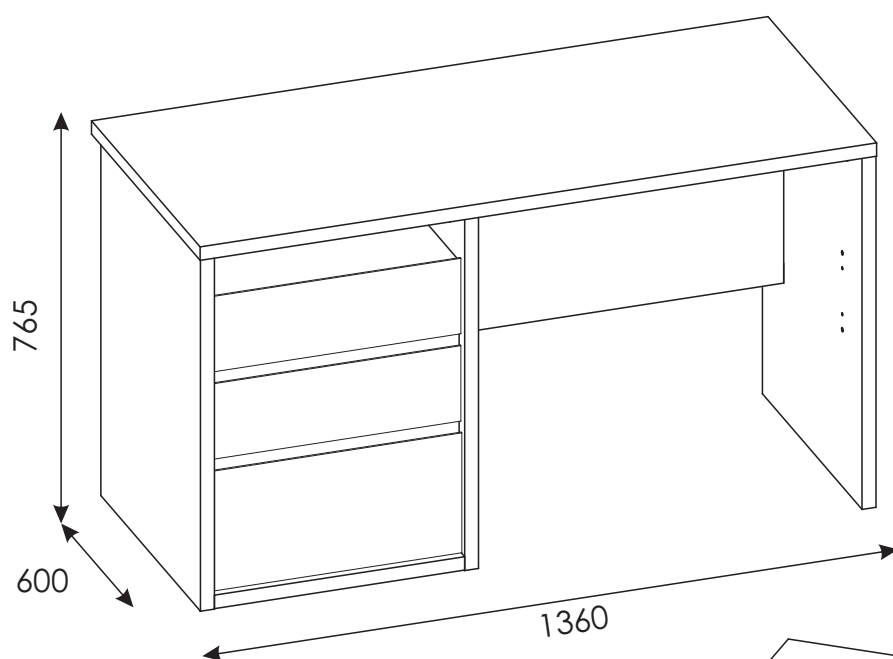
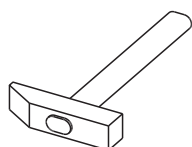
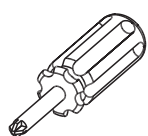
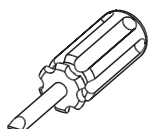
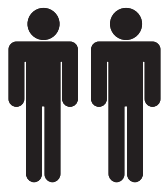
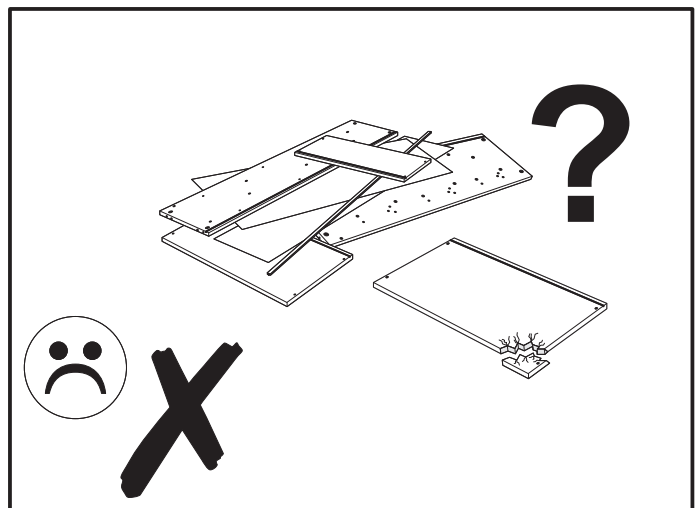
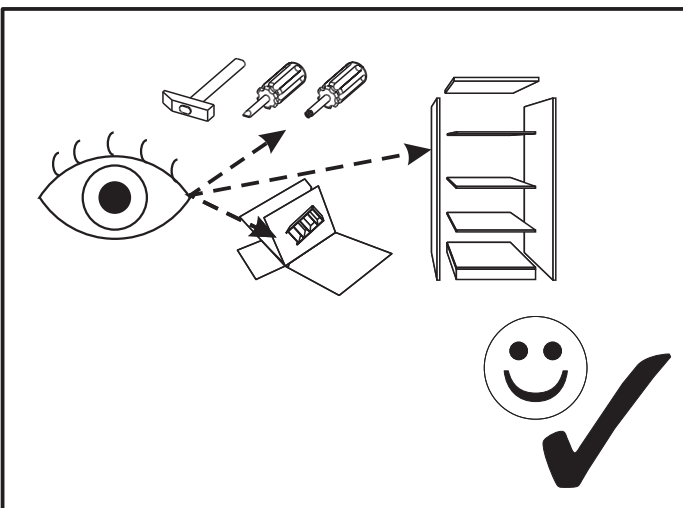
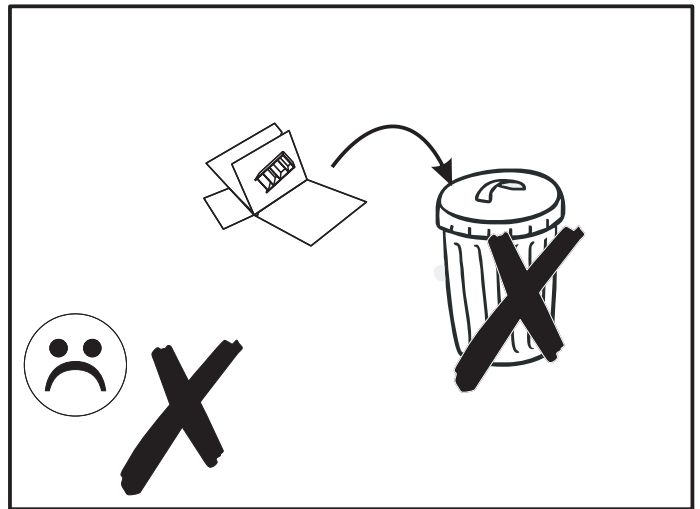
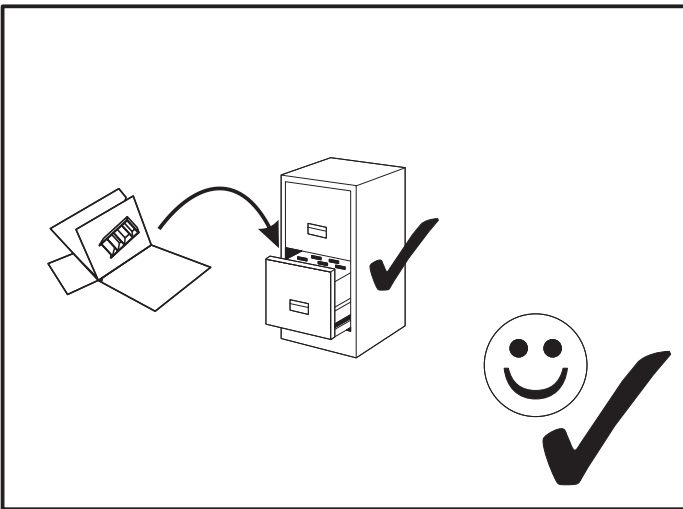
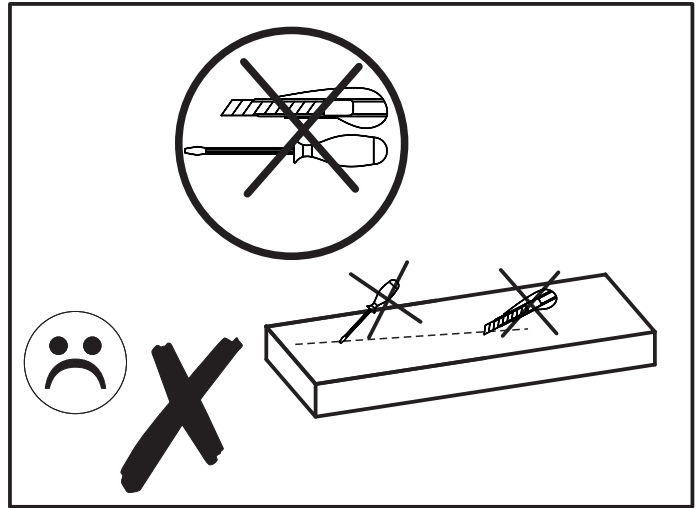
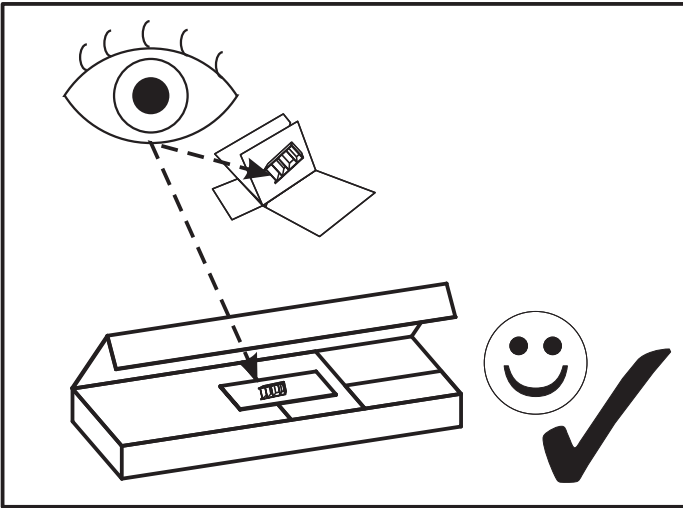
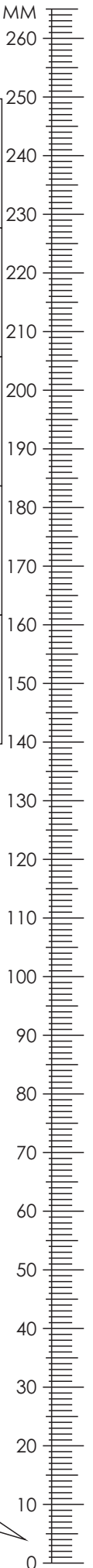






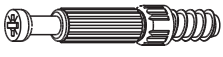



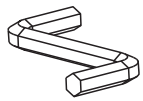

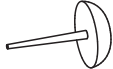




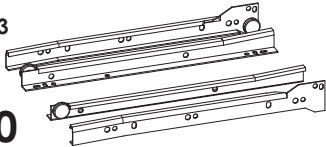
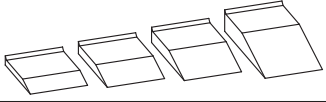
# SHETLAND - 80

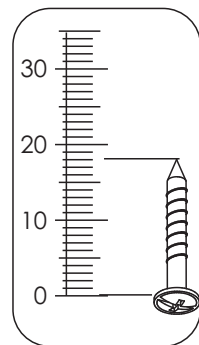




# SHETLAND - 80

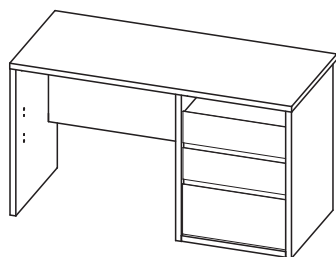


<p><b>A1</b> x49 <math>\varnothing 8 \times 35\text{mm}</math></p> 	<p><b>C2</b> x12 EURO 5 x 13mm</p> 	<p><b>E0</b> x24</p> 
<p><b>E1</b> 24 <math>\varnothing 15 \times 12\text{mm}</math></p> 	<p><b>F1</b> x24</p> 	<p><b>G0</b> x6</p> 
<p><b>G1</b> x6 <math>\varnothing 7 \times 50\text{mm}</math></p> 	<p><b>J1</b> x18 US 3 x 20mm</p> 	<p><b>M</b> x1</p> 
<p><b>N1</b> x20 US 3 x 16mm</p> 	<p><b>O2</b> x6</p> 	<p><b>P0</b> x8 <math>\varnothing 5</math></p> 
<p><b>P9</b> x9 <math>\varnothing 8</math></p> 	<p><b>R4</b> x9</p> 	<p><b>R8</b> x6</p> 
<p><b>T3</b> x3 <b>L-350</b></p> 	<p><b>Z</b> x1</p> 	

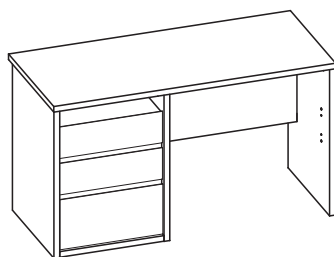


# SHETLAND - 80

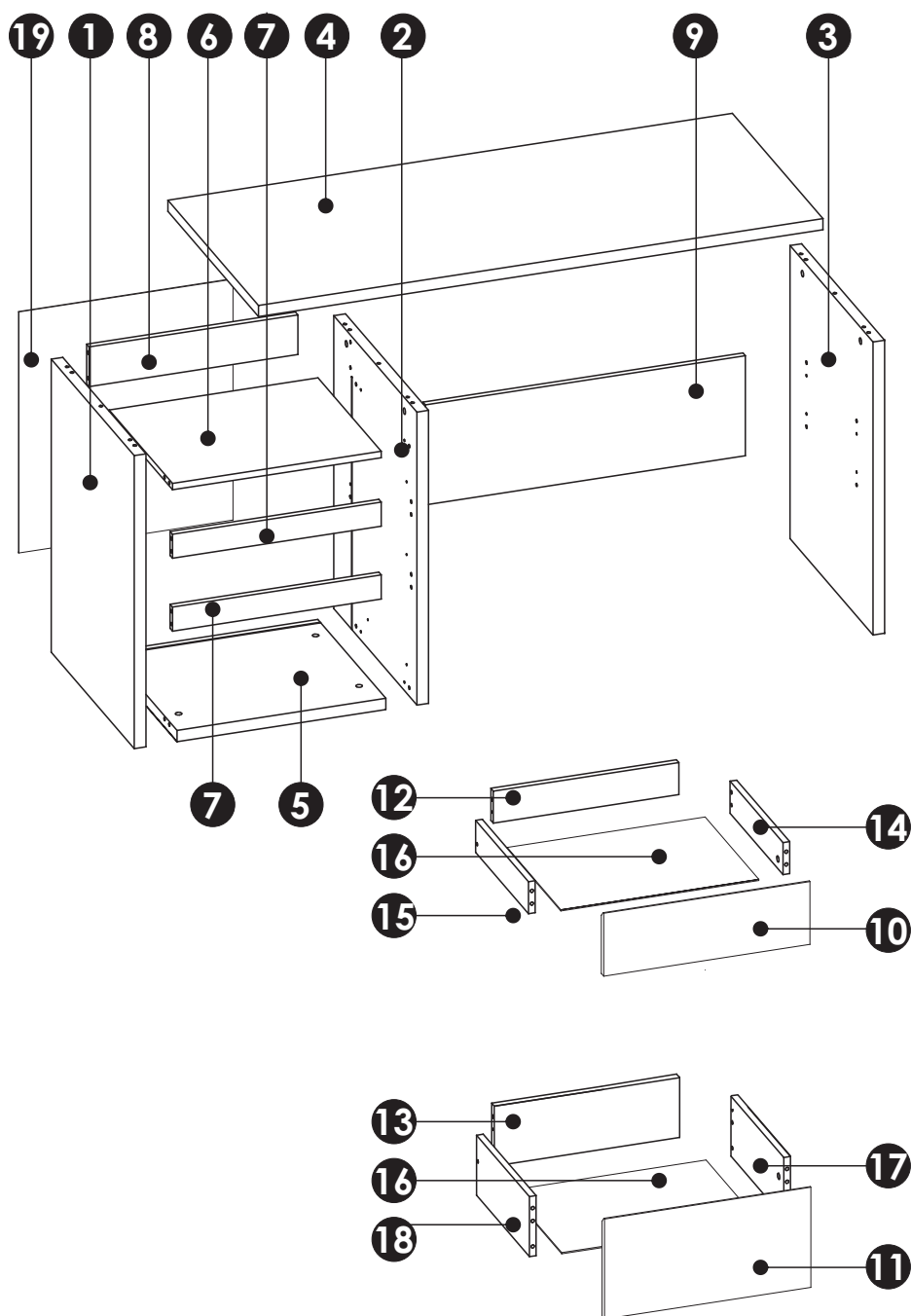
6a-11a

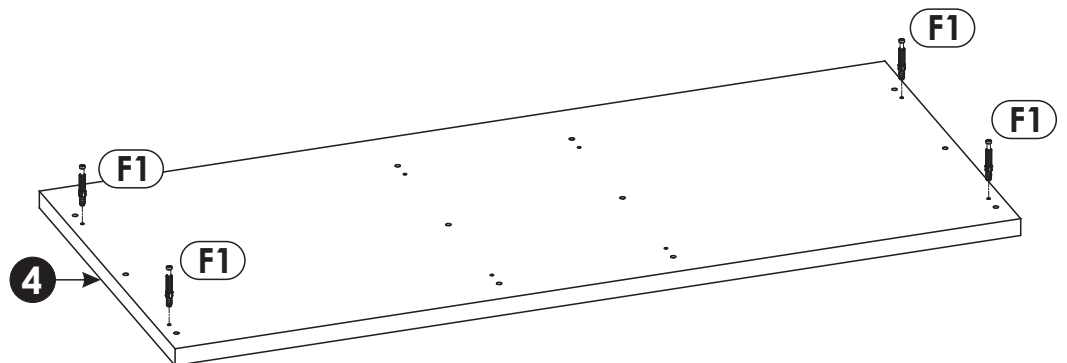
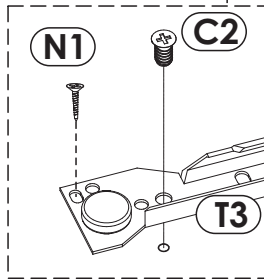
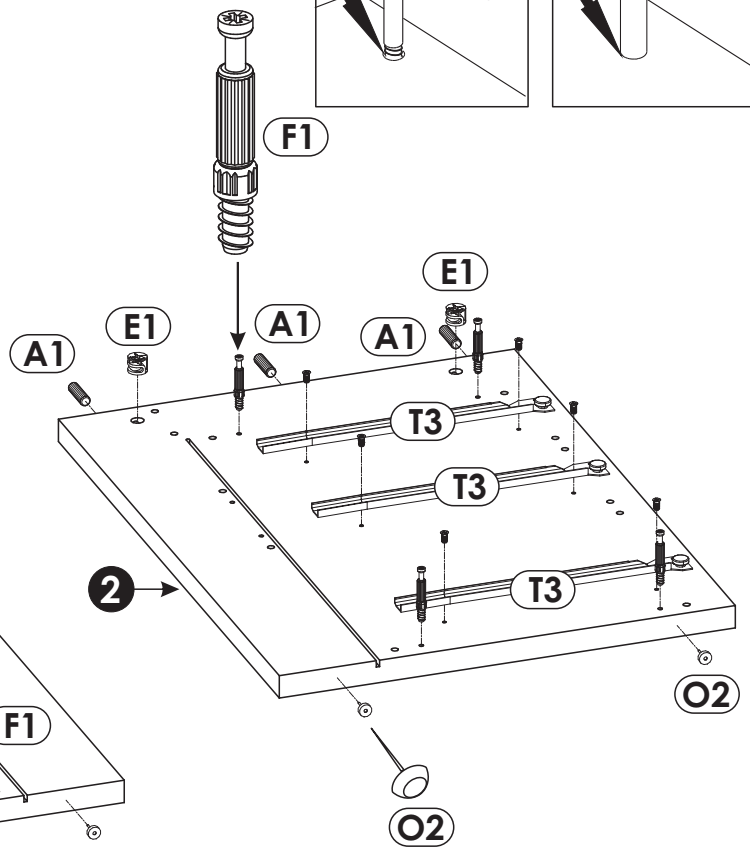
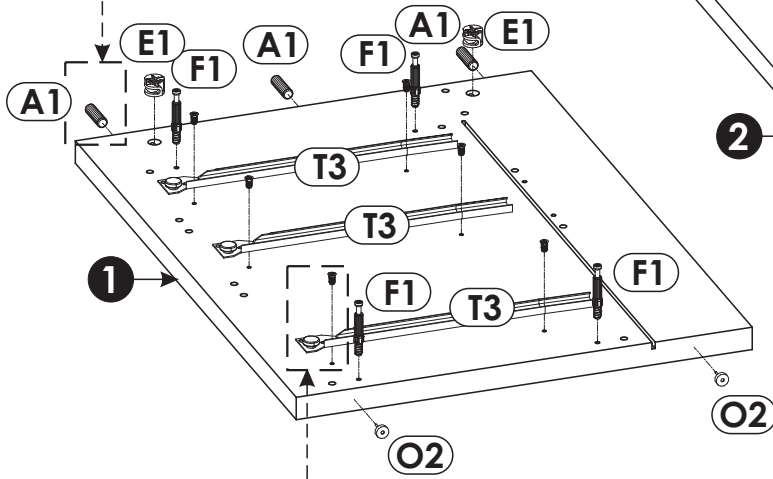
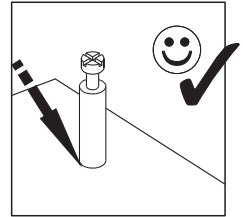
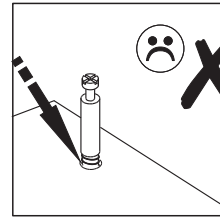
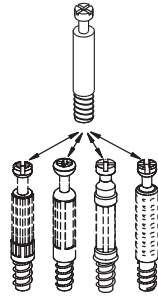
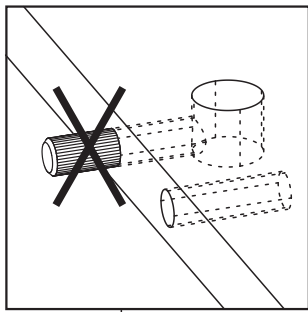
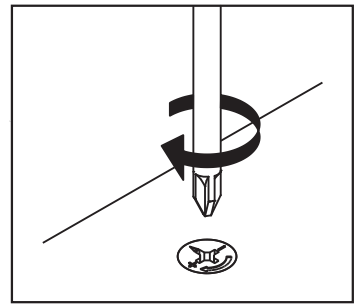
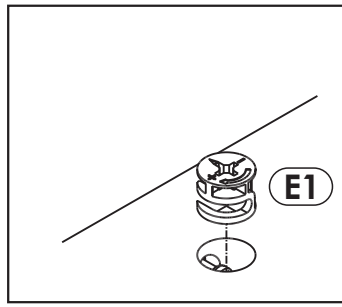
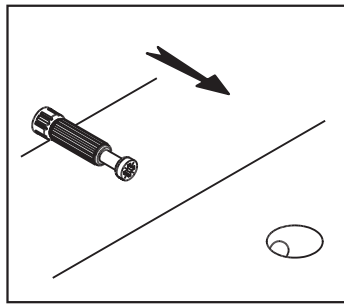
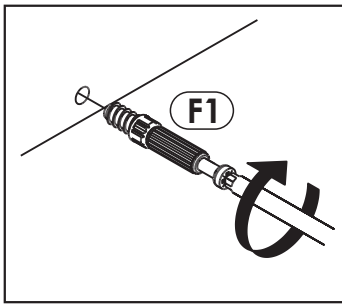


6b-11b

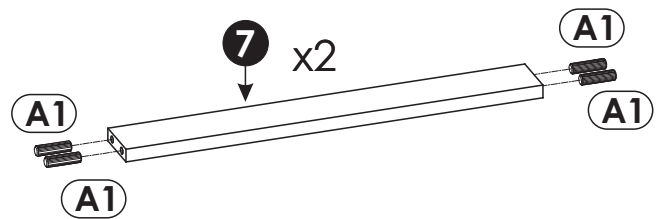
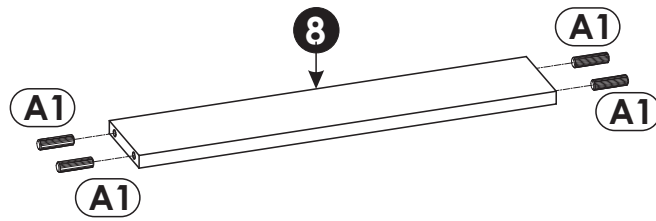
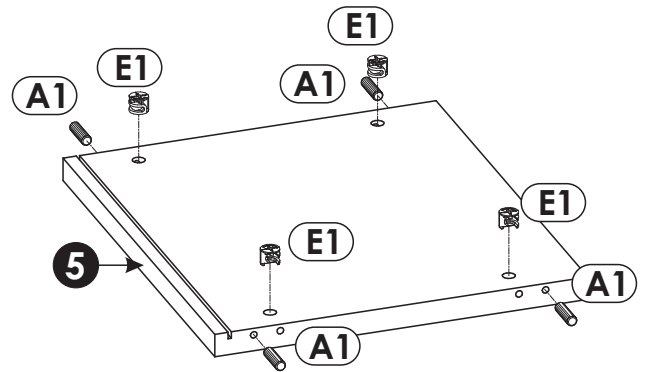
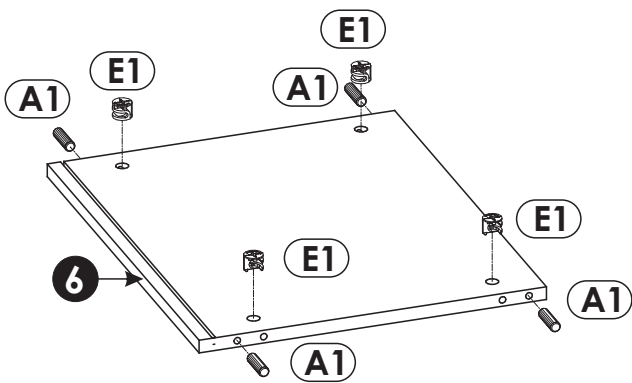
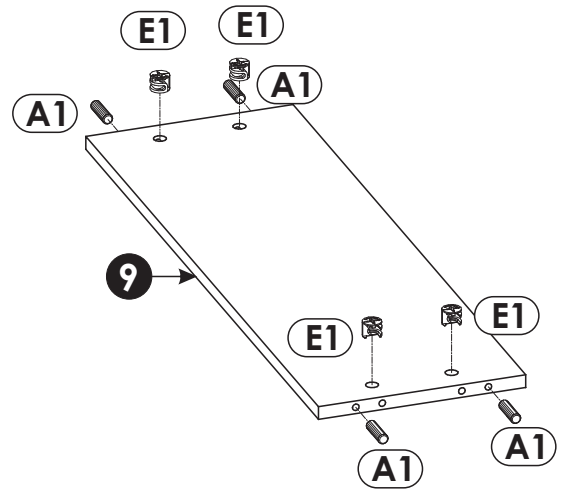
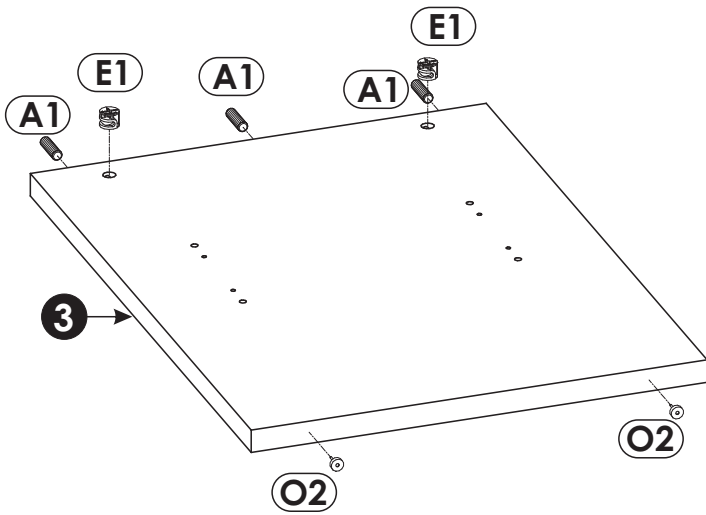


1	732	550	28	x1	1/2
2	732	550	28	x1	1/2
3	732	550	28	x1	1/2
4	1360	600	28	x1	2/2
5	503	450	28	x1	1/2
6	503	419	16	x1	1/2
7	503	60	16	x2	1/2
8	503	99	16	x1	2/2
9	771	250	16	x1	2/2
10	497	157	16	x2	1/2
11	497	250	16	x1	1/2
12	447	80	16	x2	2/2
13	447	150	16	x1	2/2
14	350	80	16	x2	2/2
15	350	80	16	x2	2/2
16	477	355	3	x3	2/2
17	350	150	16	x1	2/2
18	350	150	16	x1	2/2
19	602	513	3	x1	1/2

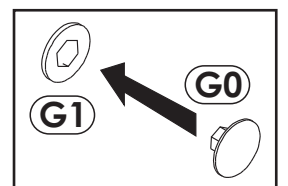
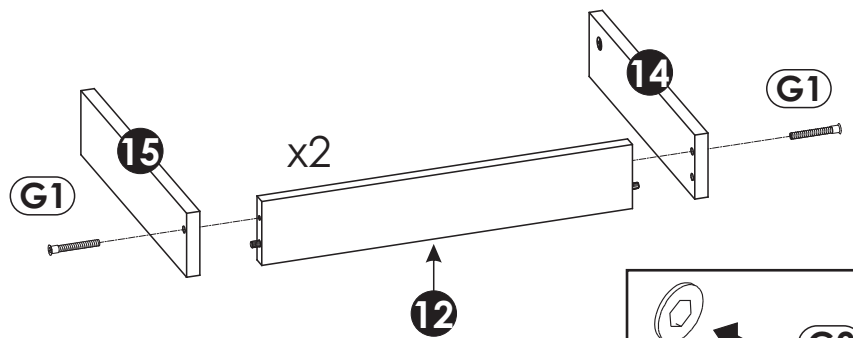
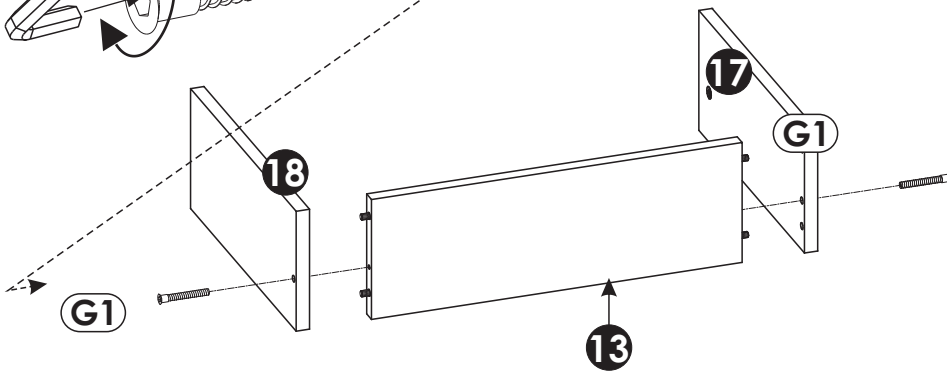
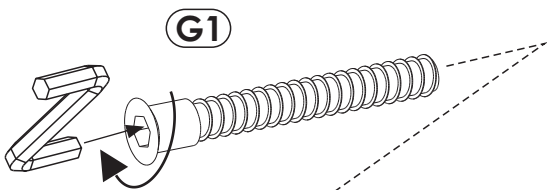
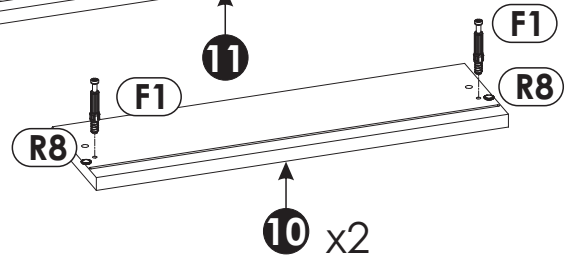
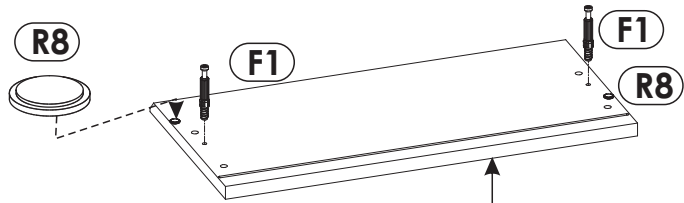
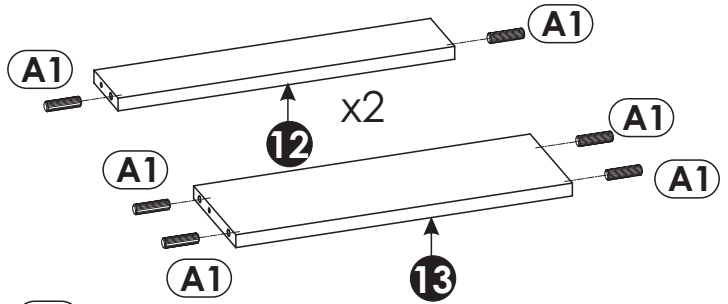
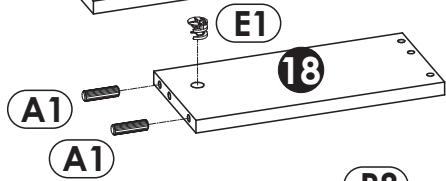
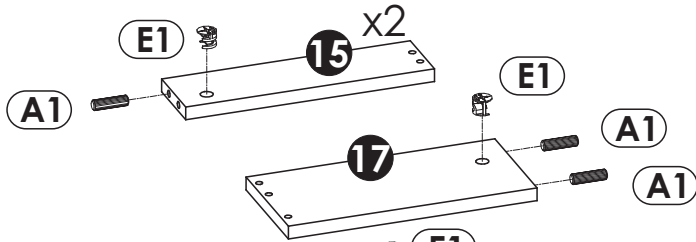
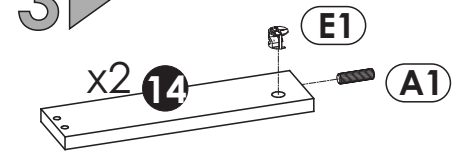




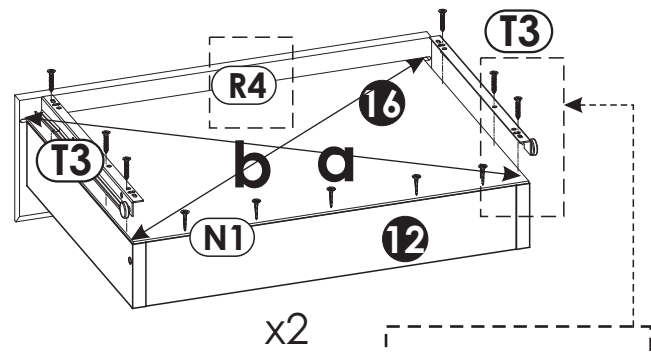
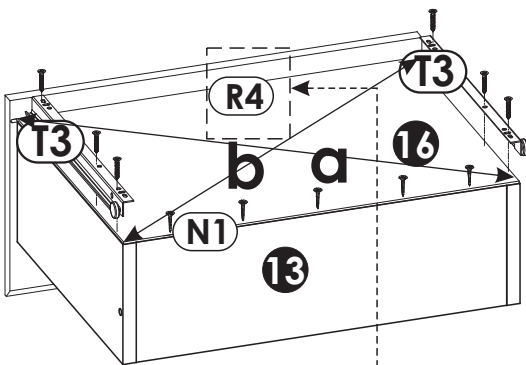
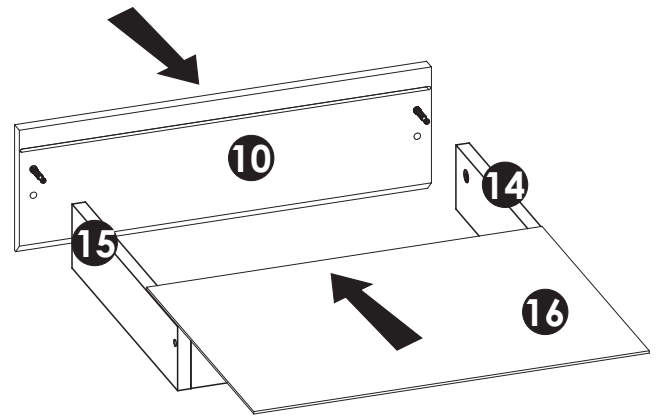
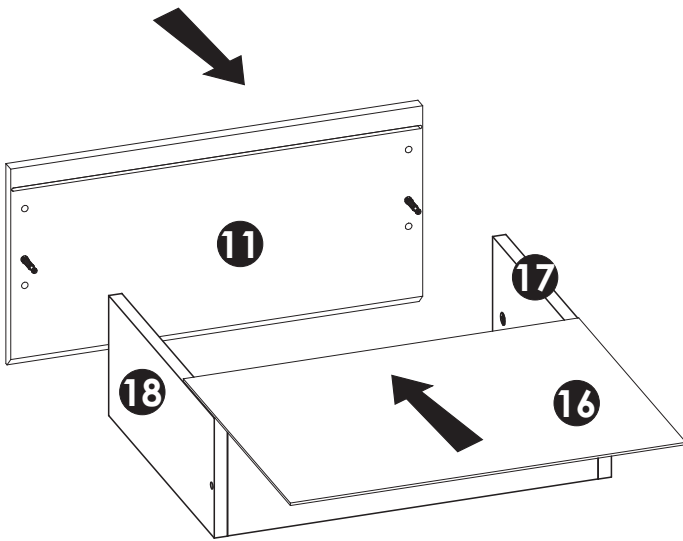
2 ▶



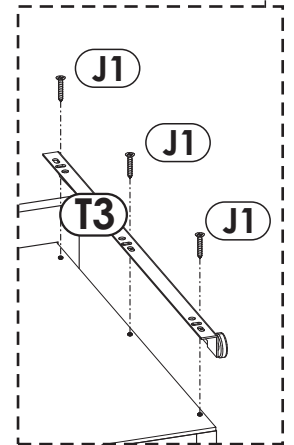
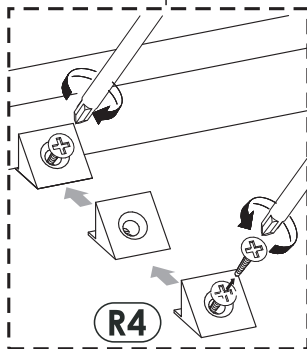
3 ▶



5 ▶

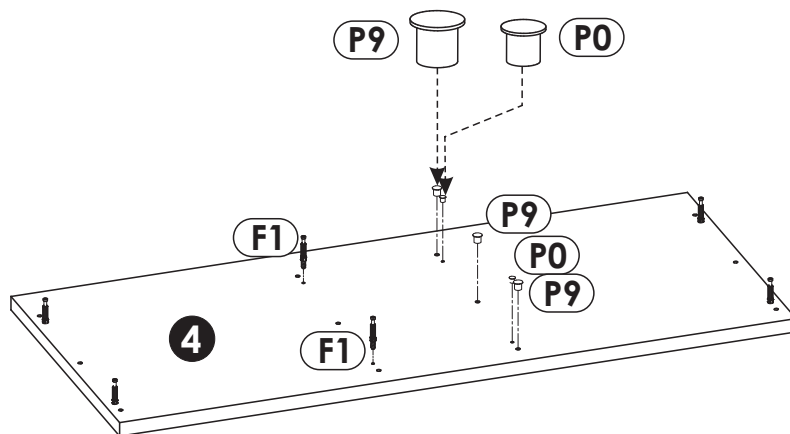
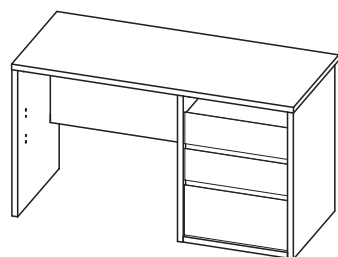


$a=b$

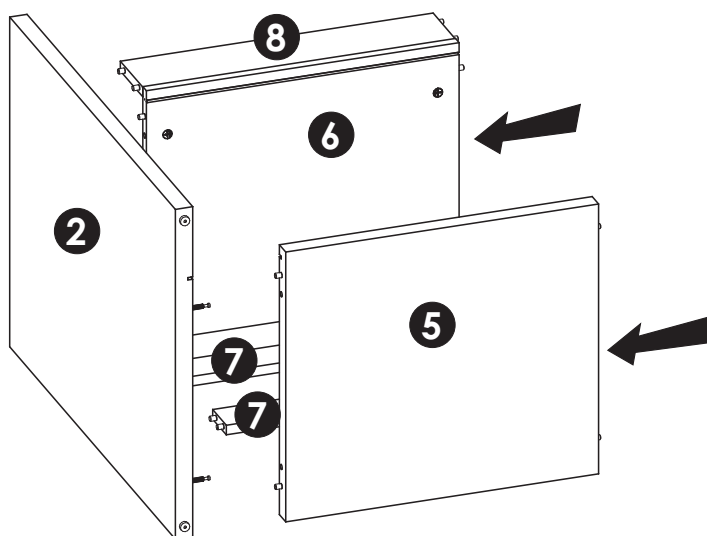




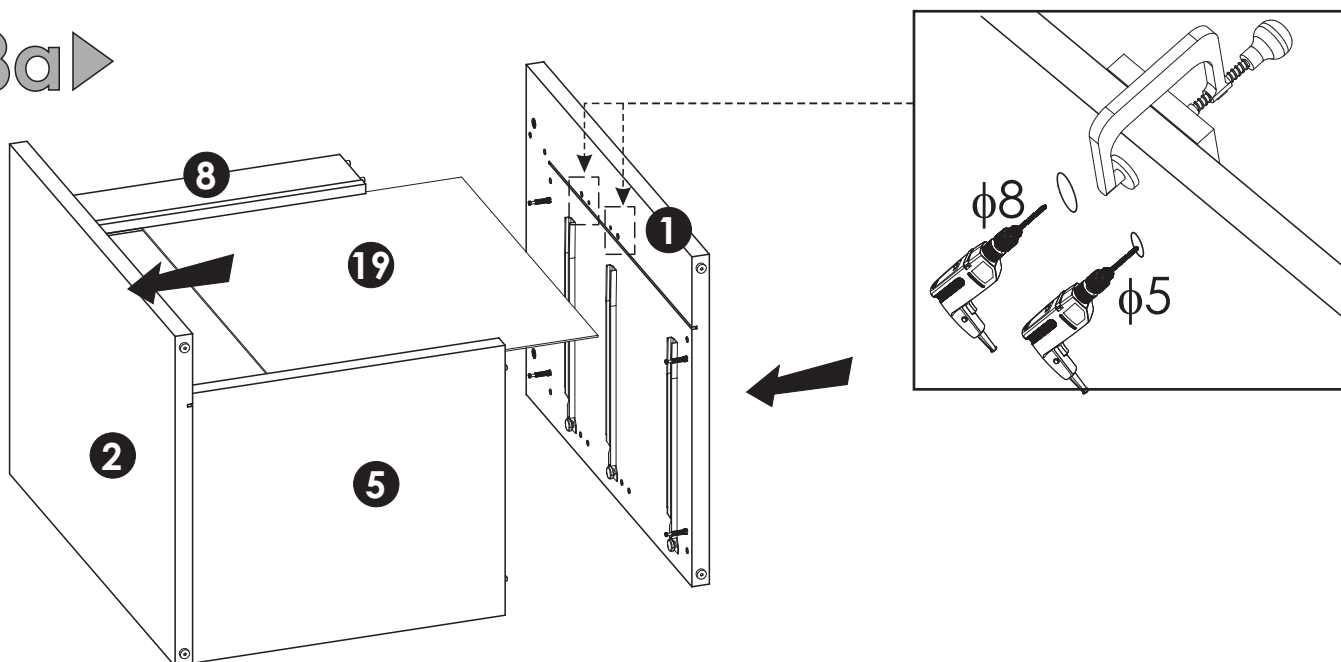
6a ▶



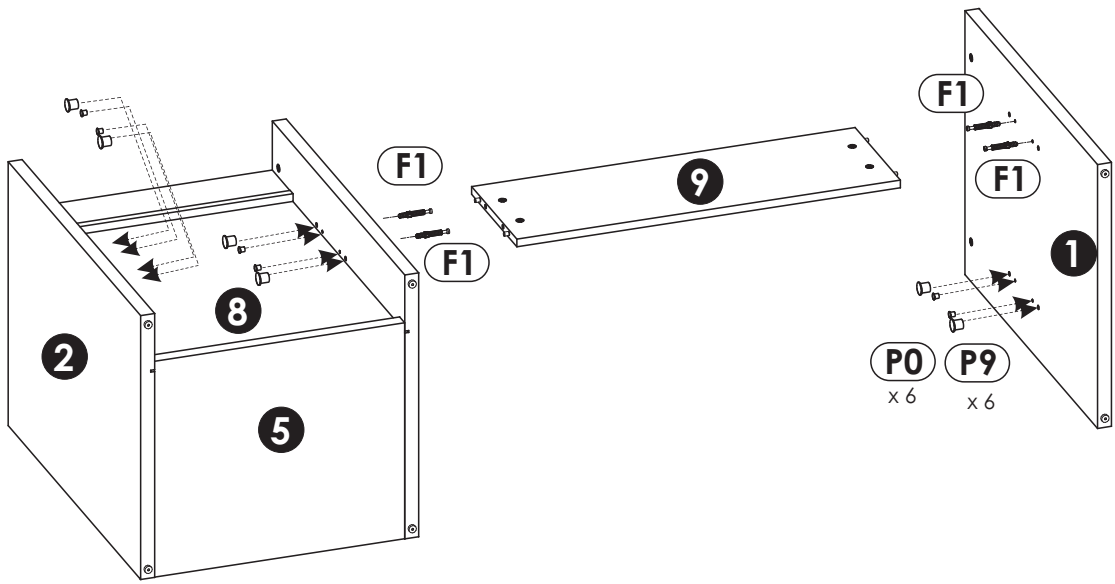
7a ▶



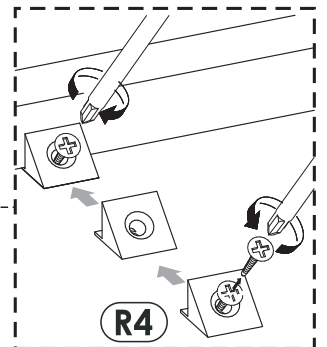
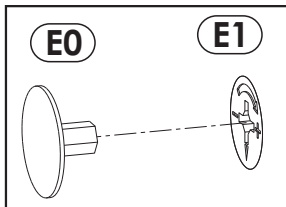
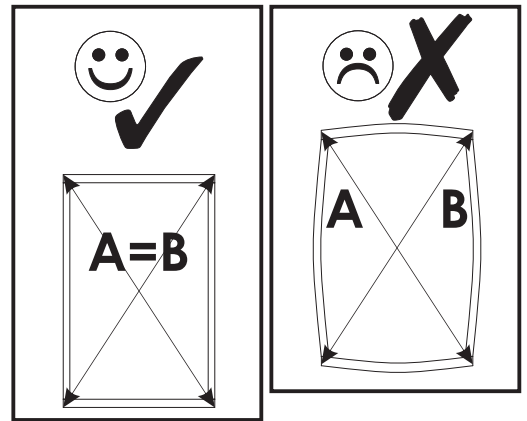
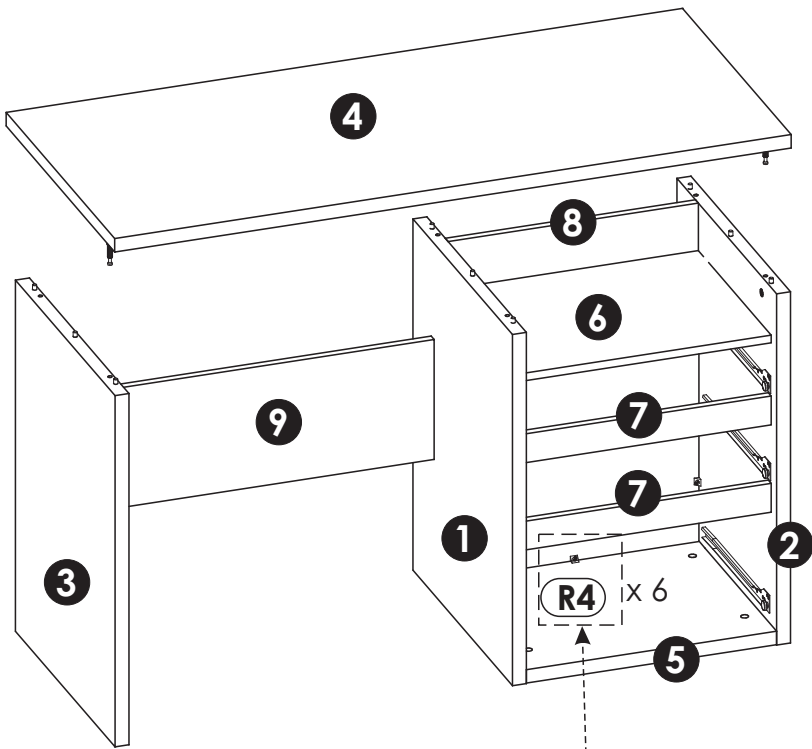
8a ▶



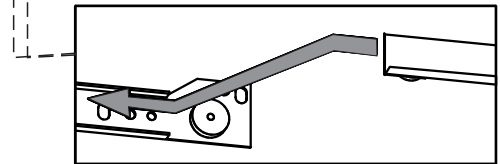
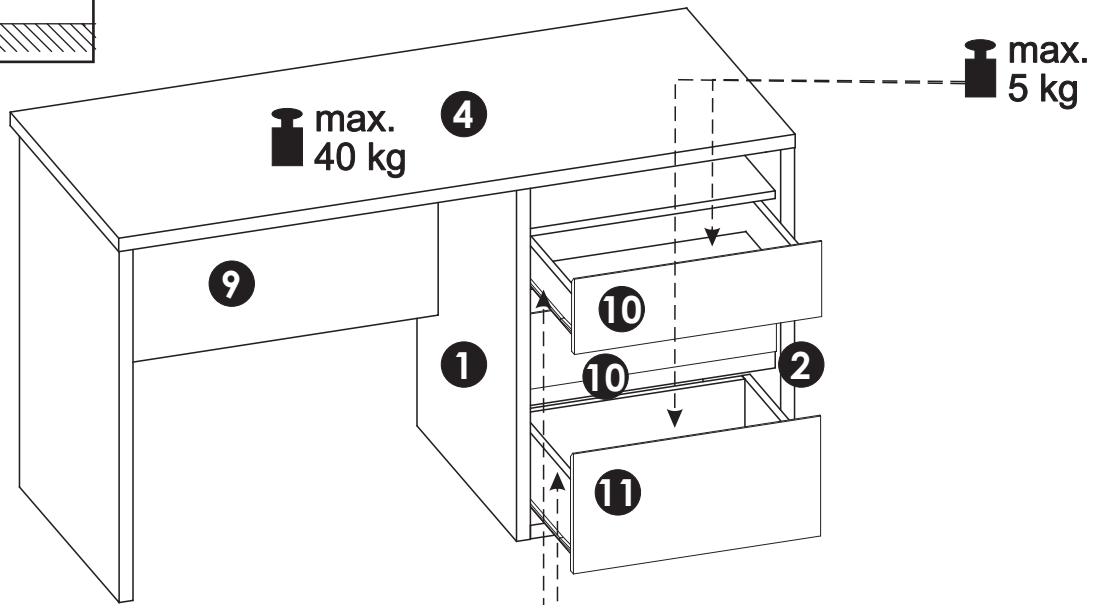
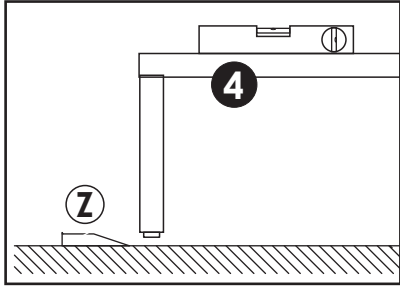
# 9a ▶



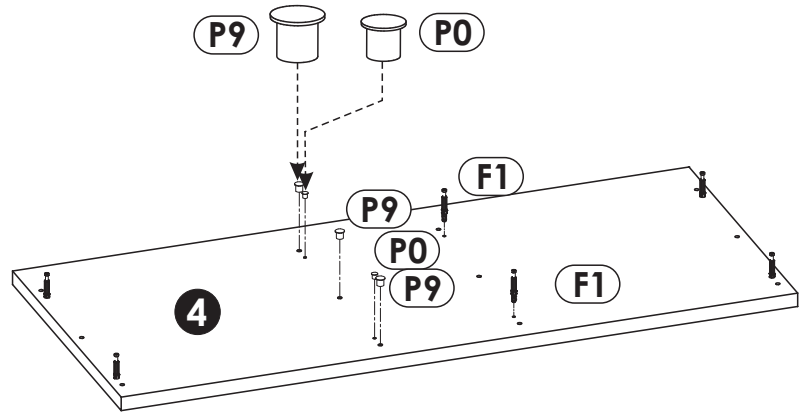
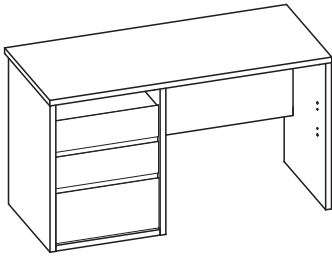
# 10a ▶



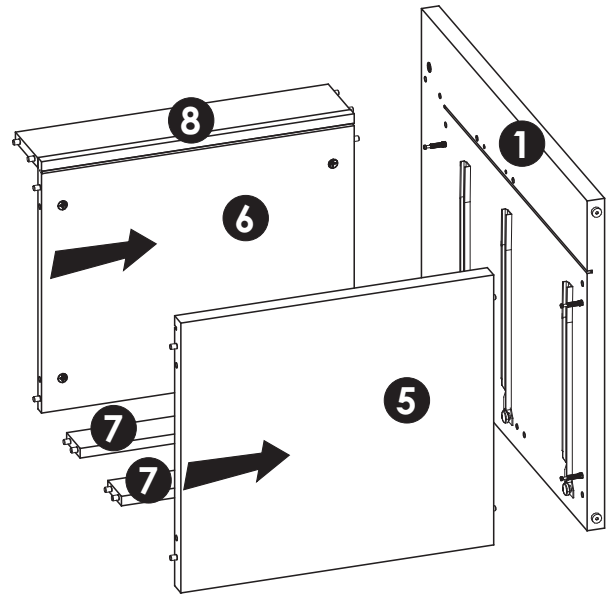
# 11a ▶



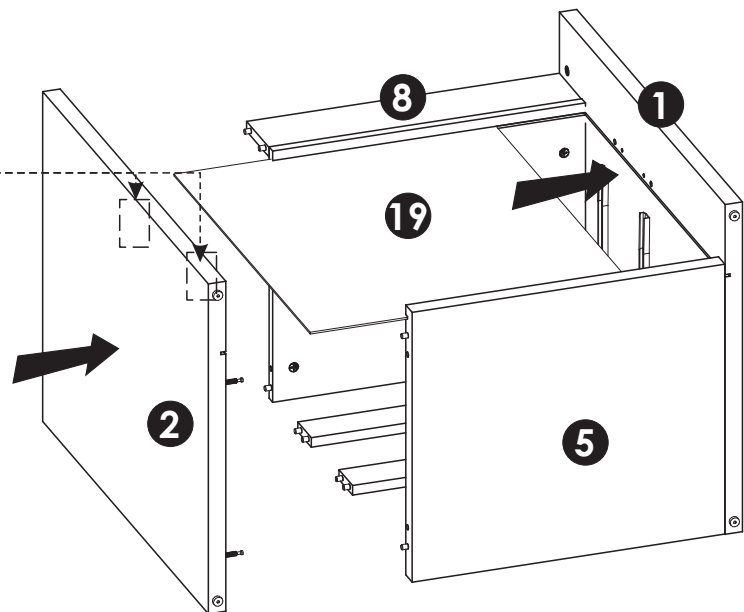
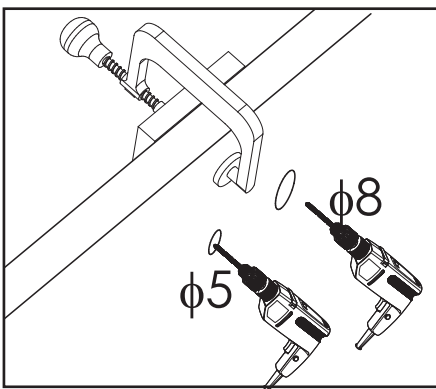
6b ▶



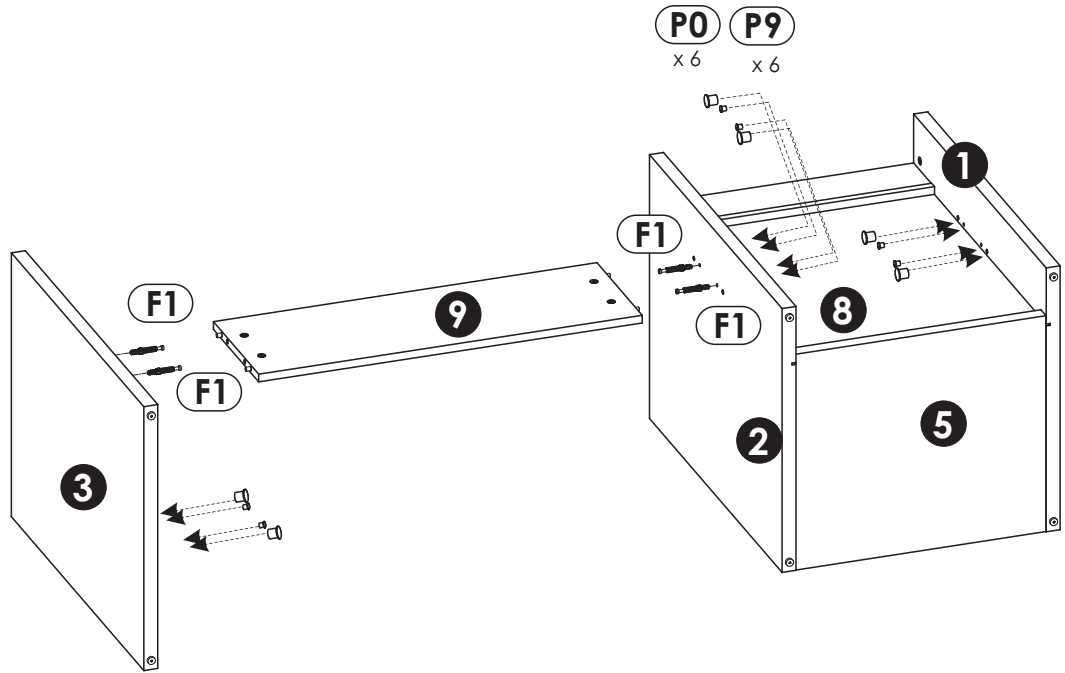
7b ▶



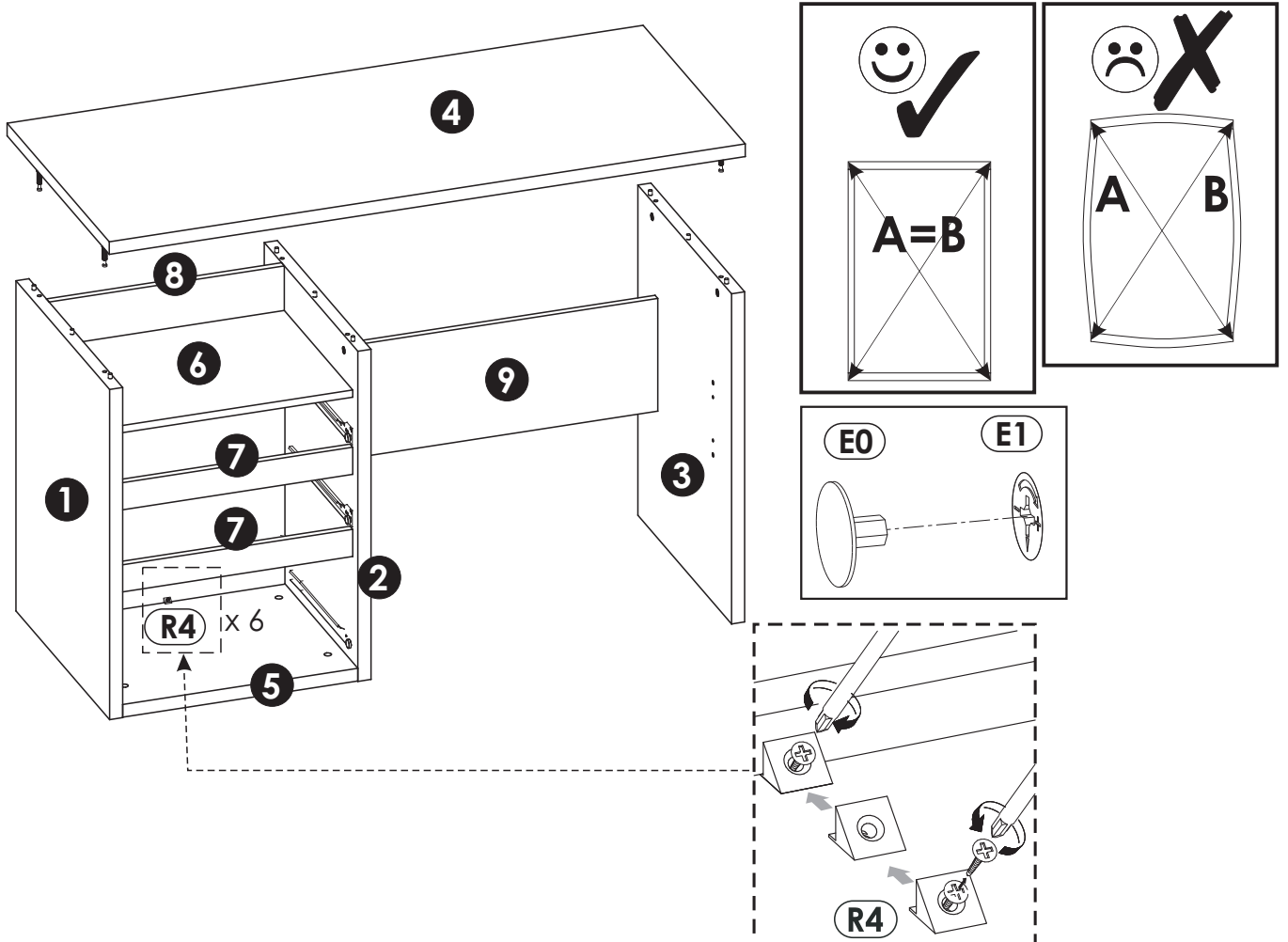
8b ▶



9b ▶



10b ▶



# 11b ▶

