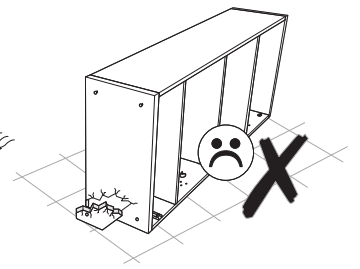
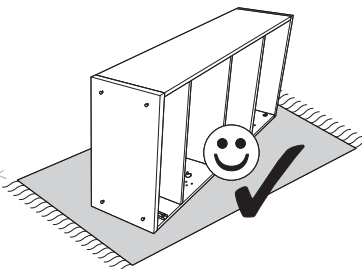
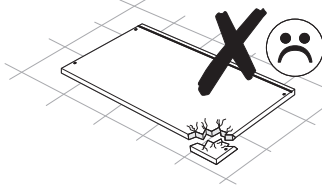
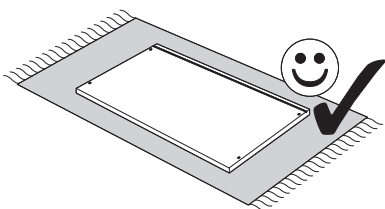
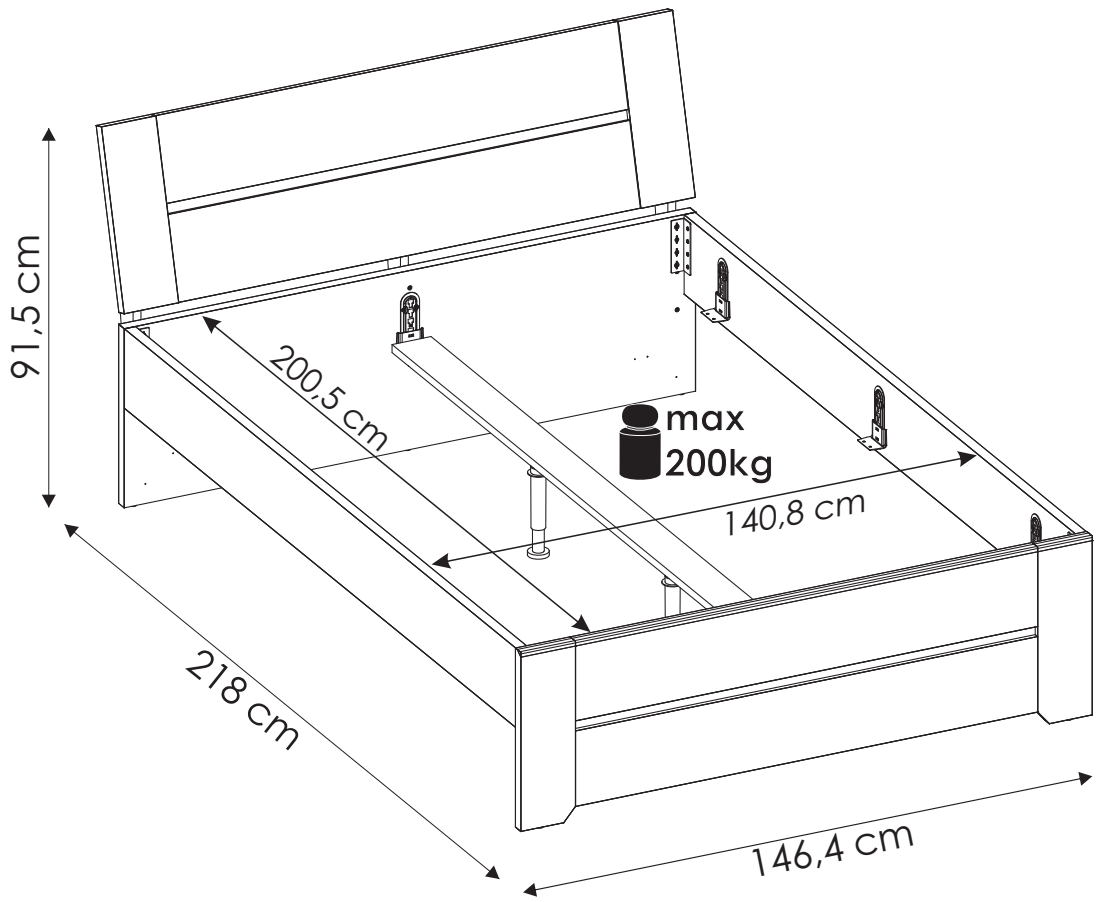
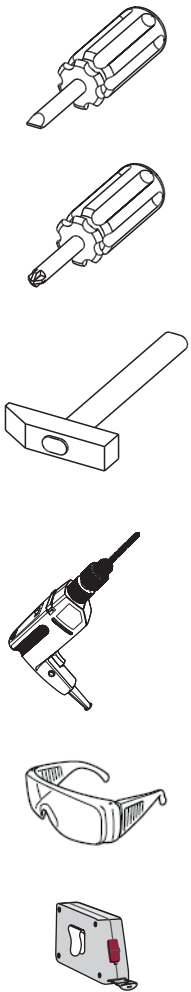
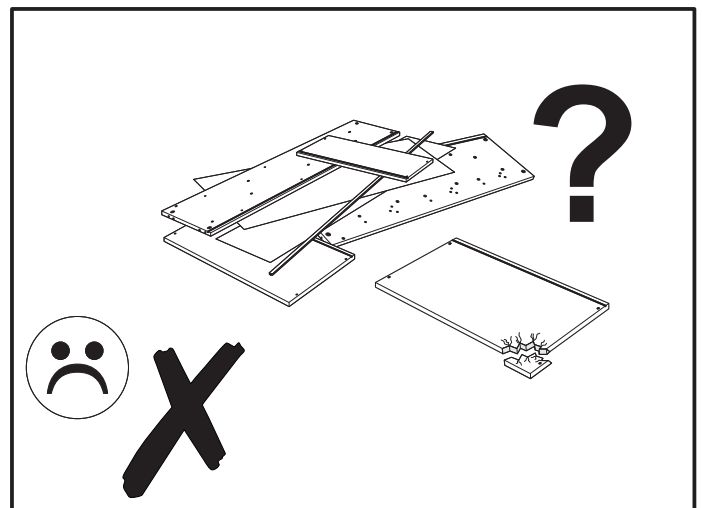
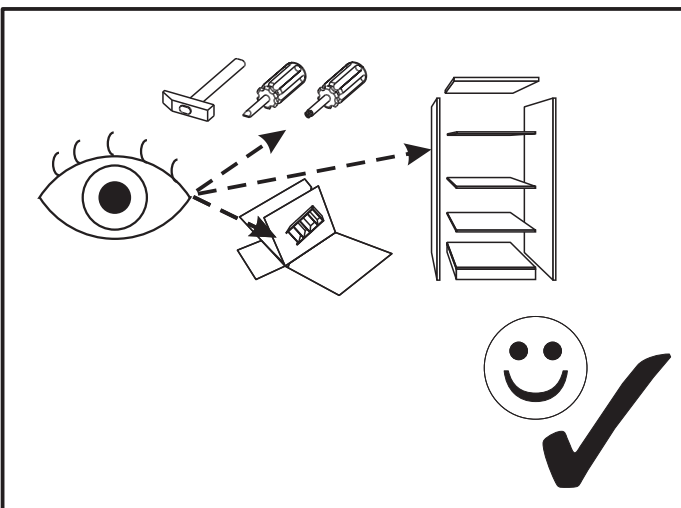
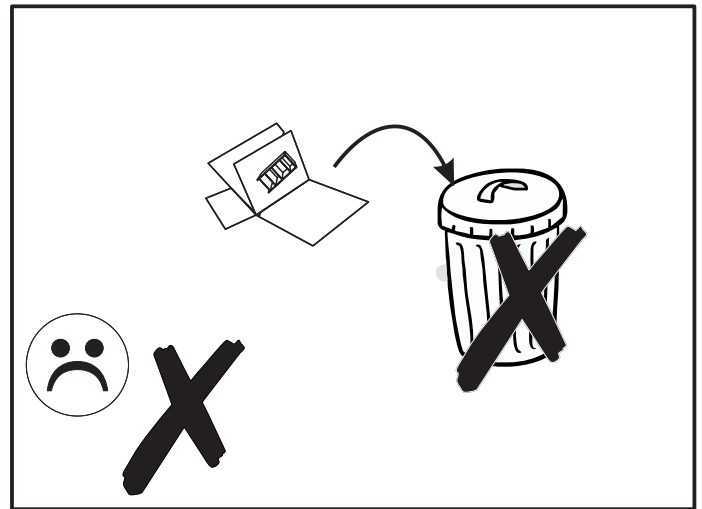
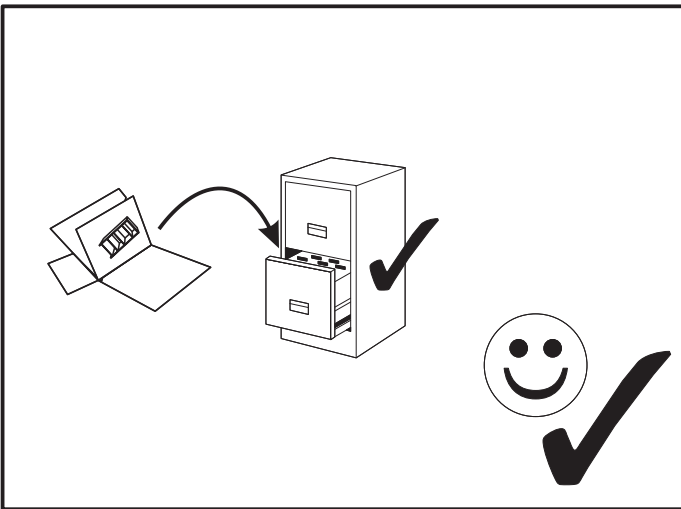
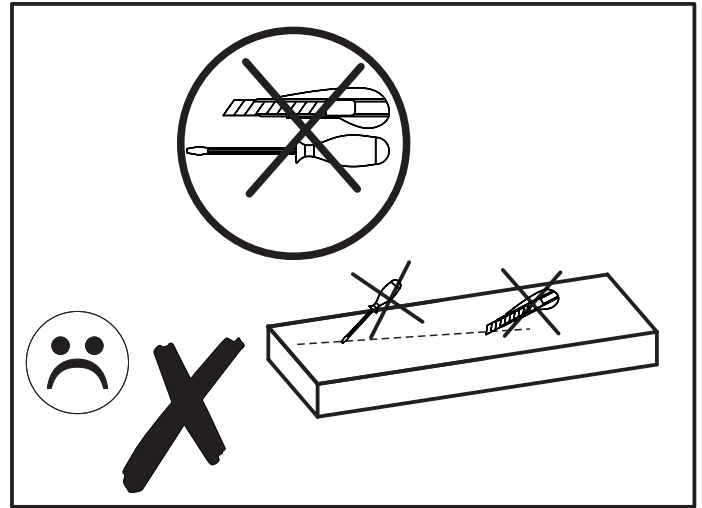
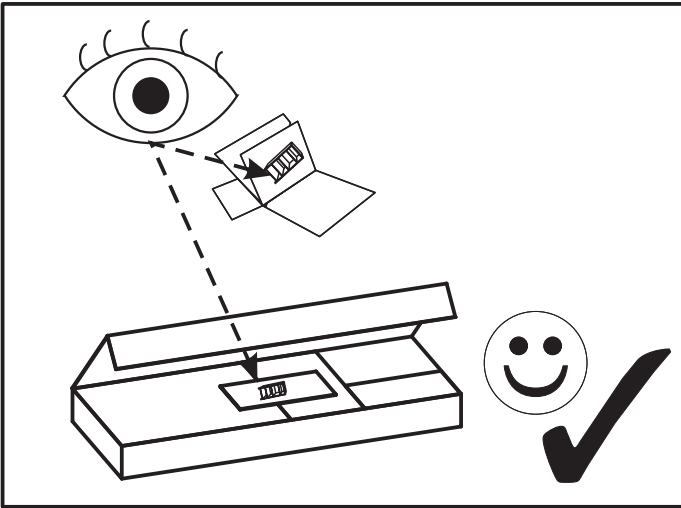
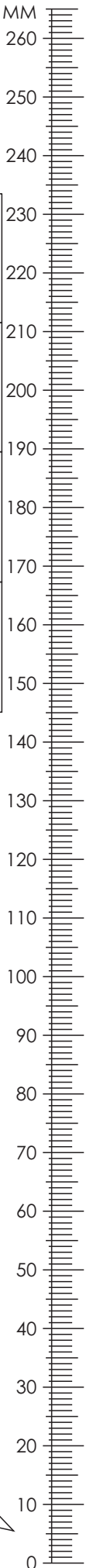





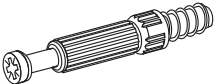
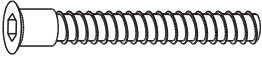

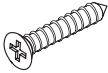
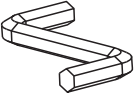

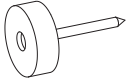
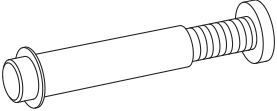
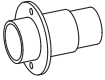
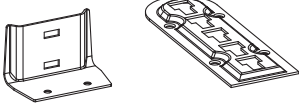
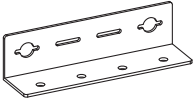
# ANGEL 91

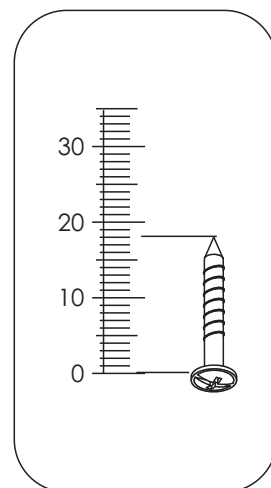




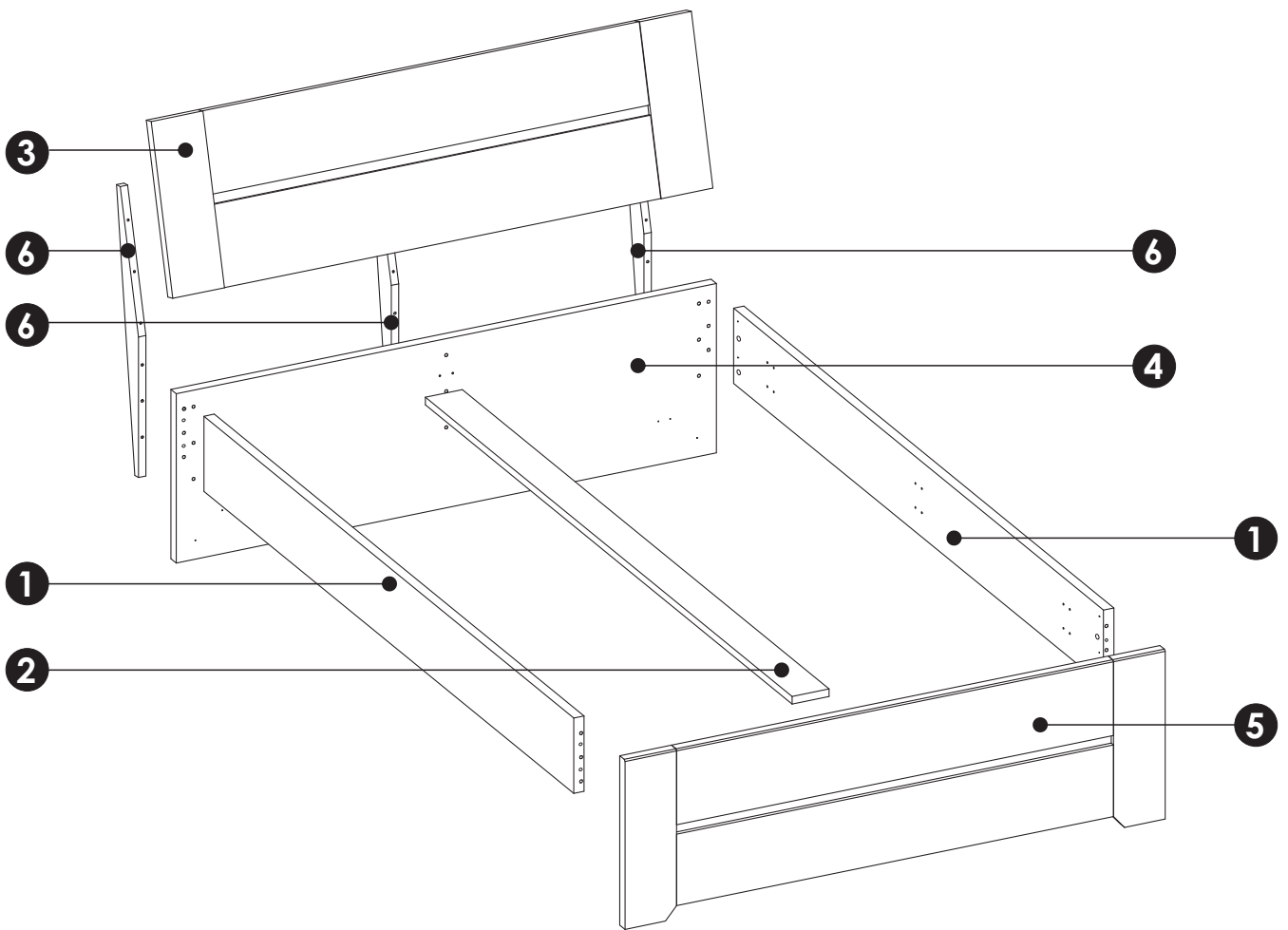
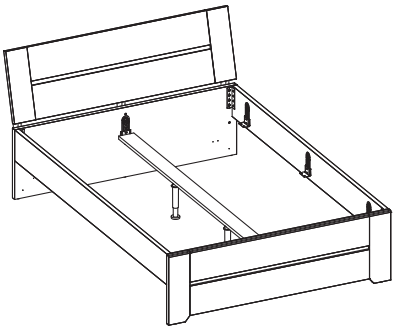
# ANGEL 91



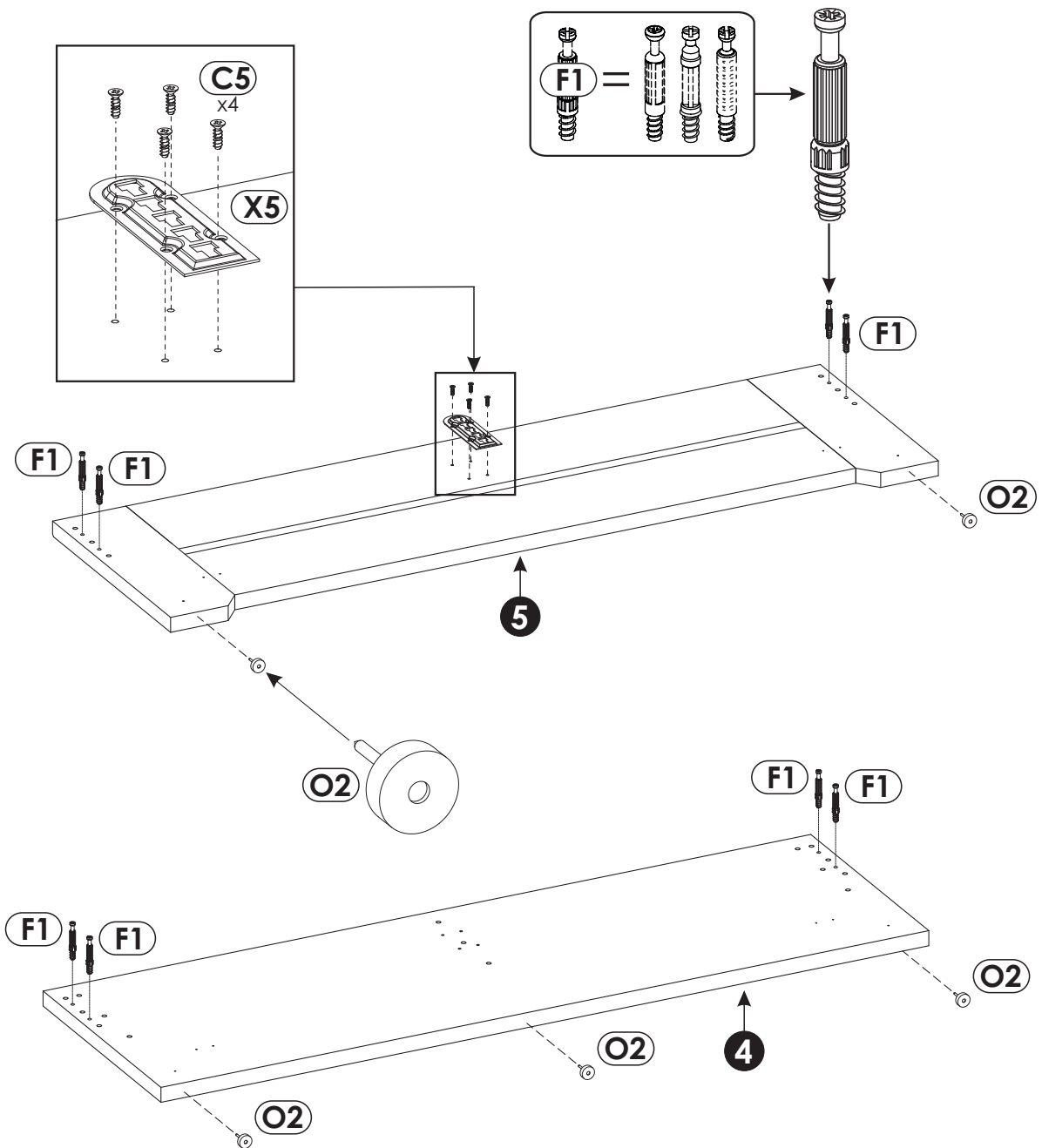
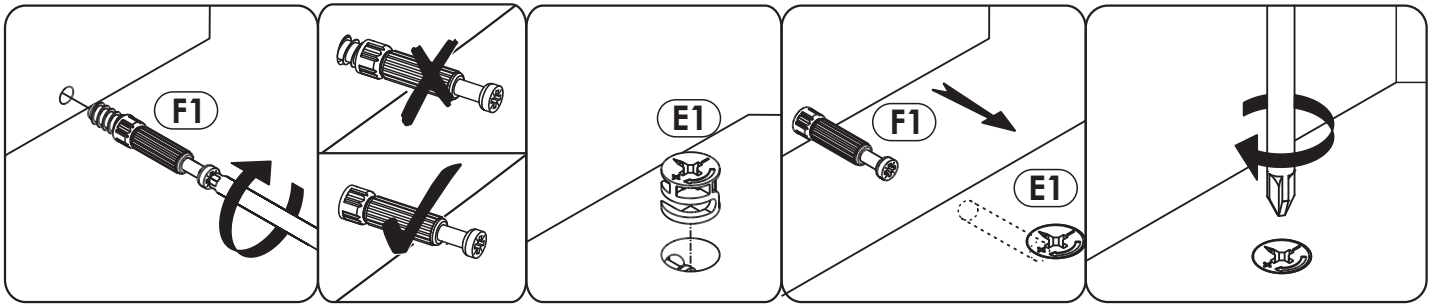
<b>A1</b> $\varnothing 8 \times 35$ mm    x12 	<b>C5</b> 5 x 16 mm    x32 	<b>E1</b> 15 x 12 mm    x8 
<b>F1</b> 6 x 34 mm    x8 	<b>G1</b> $\varnothing 7 \times 60$ mm    x9 	<b>I8</b> 4 x 20 mm    x36 
<b>J6</b> 4 x 35 mm    x9 	<b>M</b>  x1	<b>N2</b> 3,5 x 16 mm    x16 
<b>O2</b>  x5	<b>O20</b>  x2	<b>O21</b>  x2
<b>X5</b>  x8	<b>X6</b>  x4	



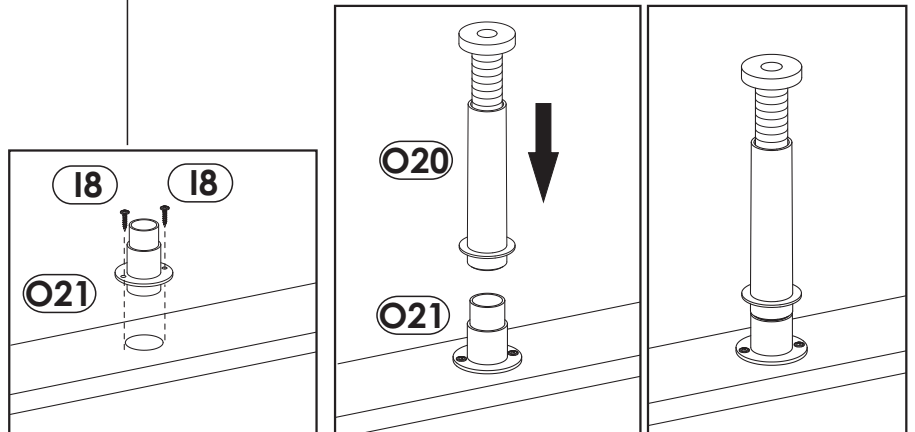
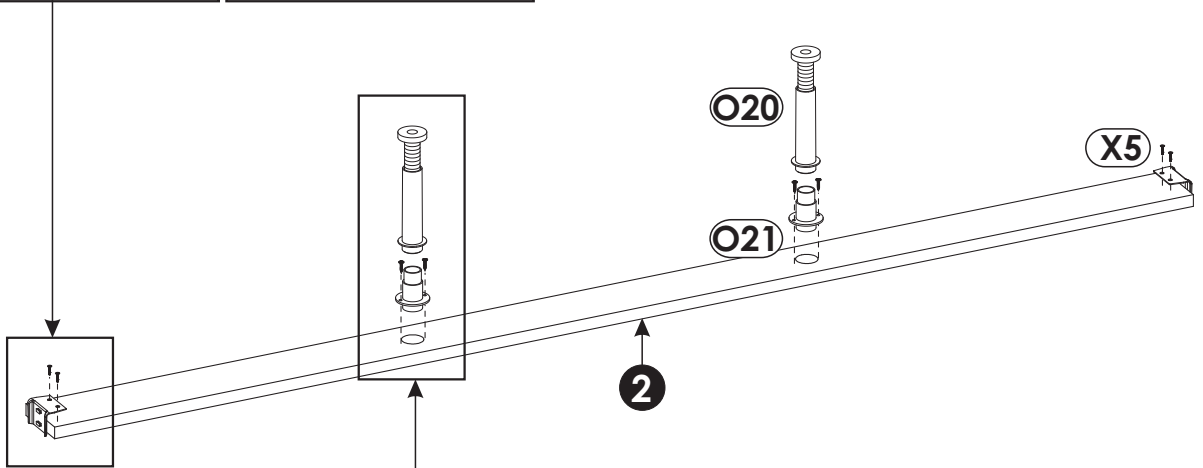
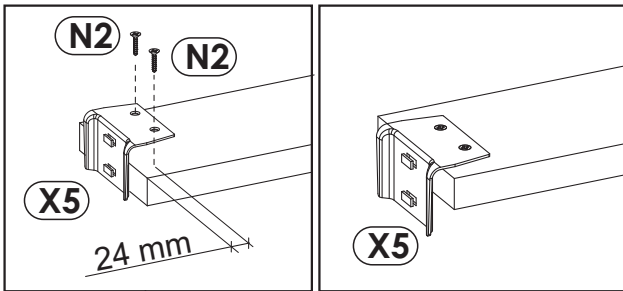
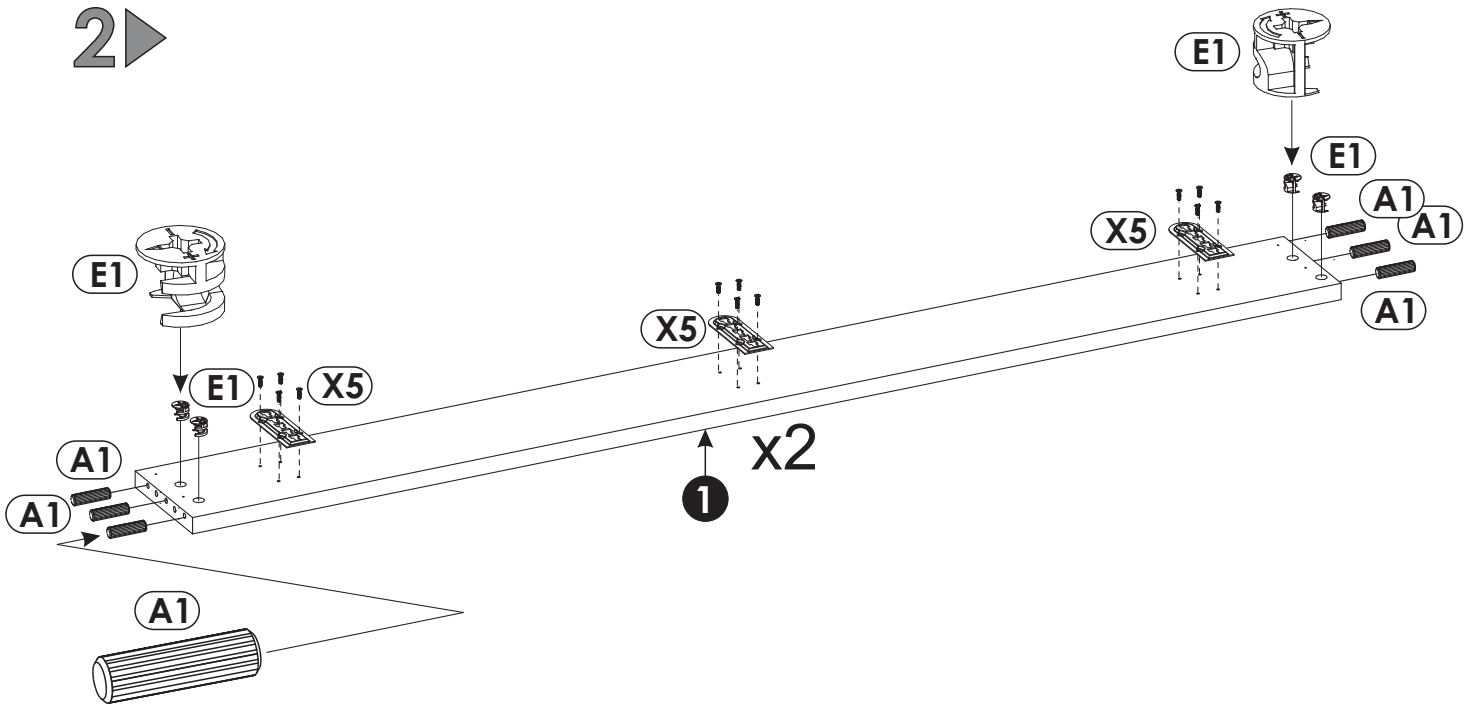
# ANGEL 91



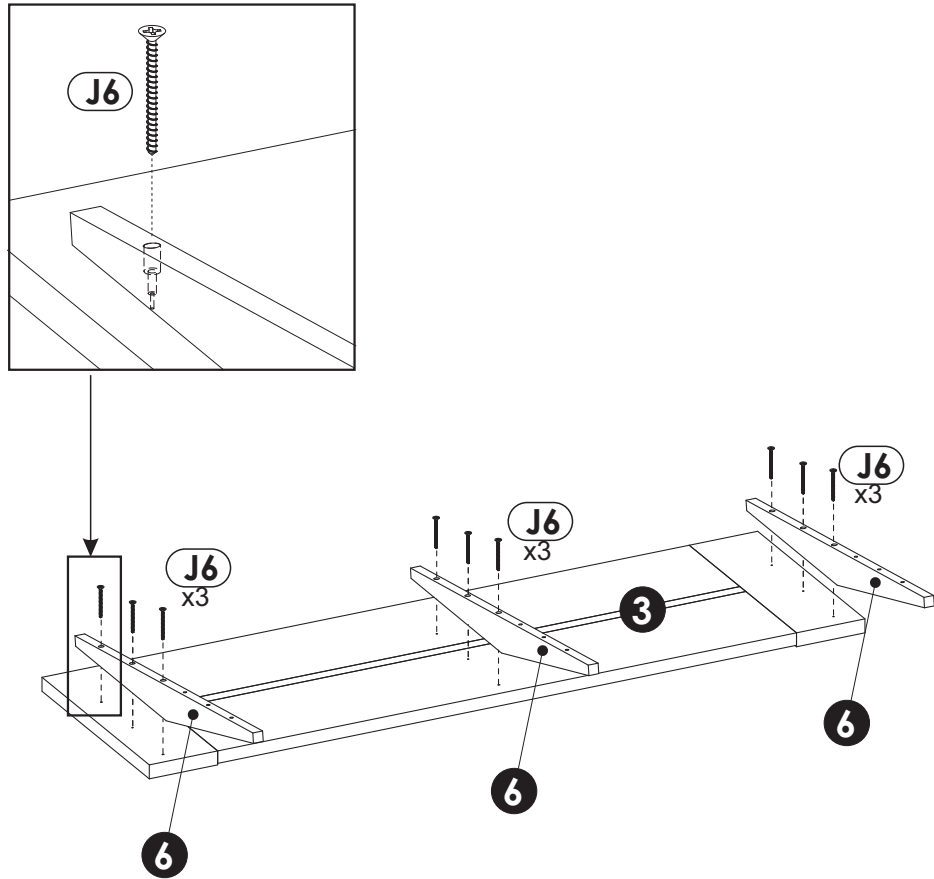
<b>1</b>	2005	200	28	x2	1/3
<b>2</b>	1988	100	20	x1	1/3
<b>3</b>	1464	439	28	x1	2/3
<b>4</b>	1464	450	28	x1	3/3
<b>5</b>	1464	450	28	x1	2/3
<b>6</b>	740	70	20	x3	1/3



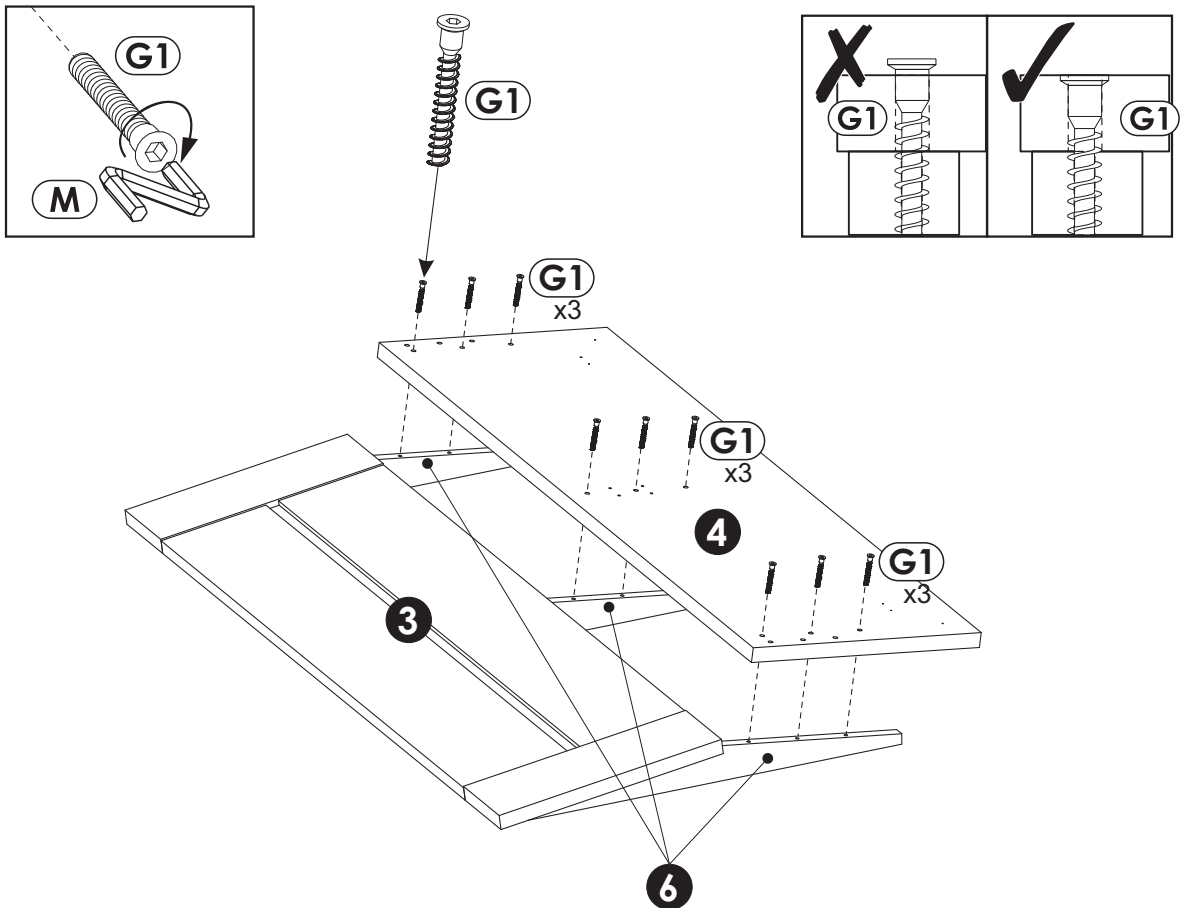
2



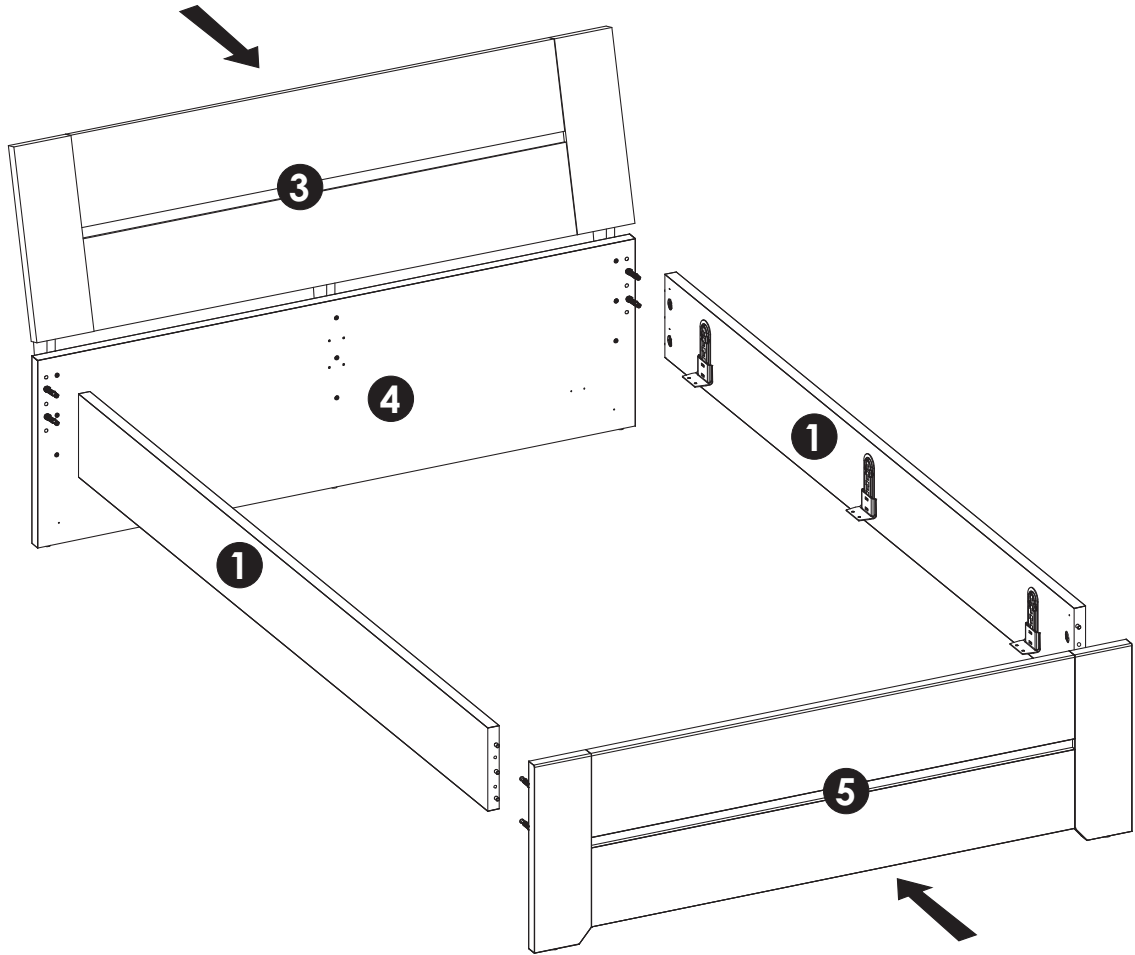
3 ▶



4 ▶



5 ▶



6 ▶

